

[54] MULTI-FUNCTION LENS

[75] Inventors: Arthur A. Bleiweiss; Richard Ball, both of Toronto, Canada

[73] Assignee: Dominion Auto Accessories Limited, Toronto, Canada

[**] Term: 14 Years

[21] Appl. No.: 771,540

[22] Filed: Feb. 23, 1977

[51] Int. Cl. D26-06

[52] U.S. Cl. D48/32 A

[58] Field of Search 240/7.1, 7.1 C, 7.1 E, 240/7.1 F, 8.1 R, 8.2, 8.22, 8.3, 41.4 R, 414 D, 106 R, 106.1; D48/32 R, 32 A

[56] References Cited

U.S. PATENT DOCUMENTS

1,674,460	6/1928	Zorger	240/41.4 R
1,751,070	3/1930	Boots et al.	240/41.4 R UX
2,738,413	3/1956	Knapp	240/106 R X

OTHER PUBLICATIONS

Dietz Automotive Lighting Equipment Cat. #100, 1972, pp. 6-9, Lens #6-500.

Primary Examiner—Susan J. Lucas
Attorney, Agent, or Firm—Arthur Raisch

[57] CLAIM

The ornamental design for a multi-function lens, as shown and described.

DESCRIPTION

FIG. 1 is a front elevational view of a multi-function lens embodying our novel design.

FIG. 2 is a rear elevational view of the same.

FIG. 3 is a top plan view of the same.

FIG. 4 is a bottom plan view of the same.

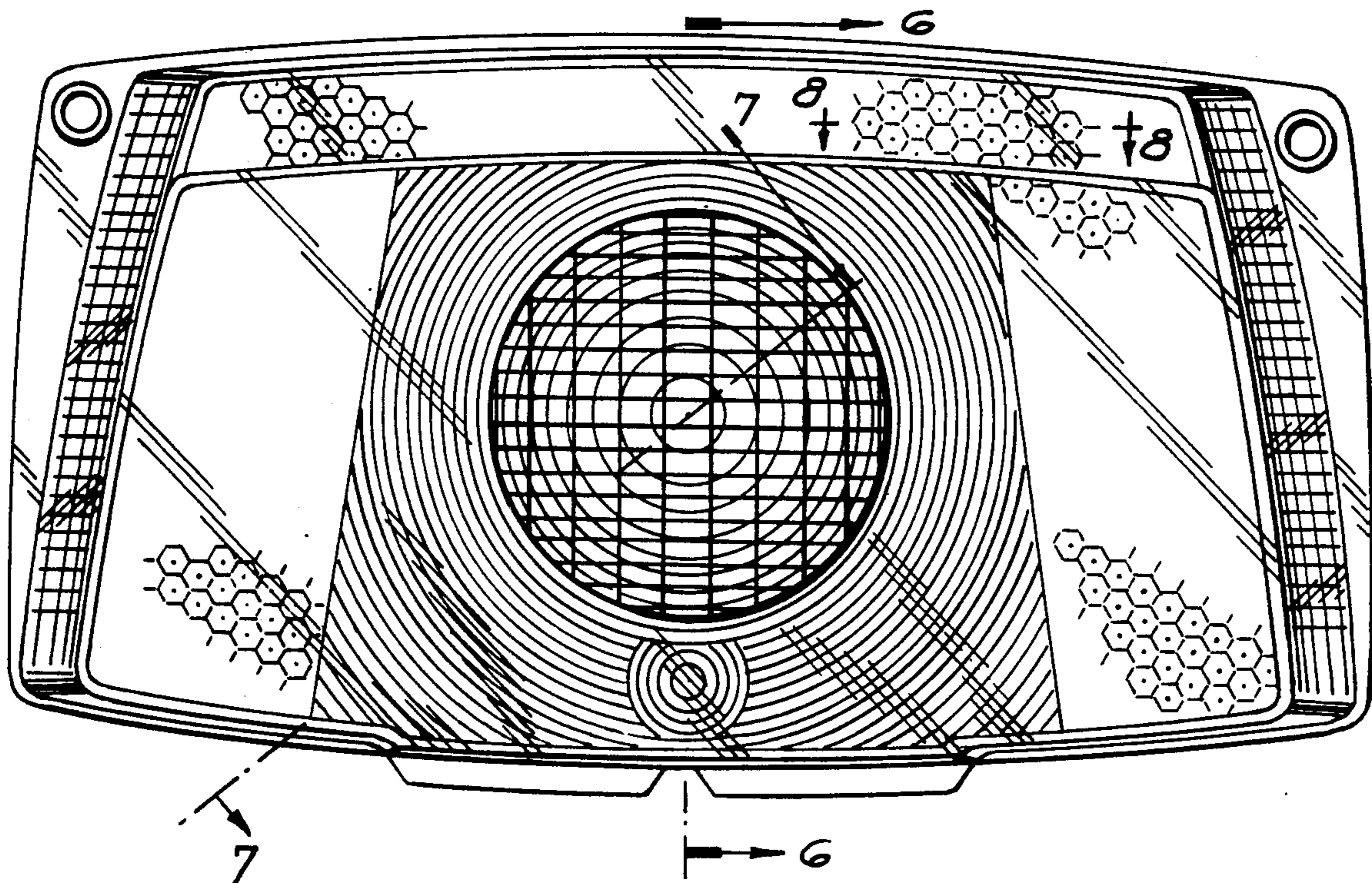
FIG. 5 is a side elevational view from one side, the other side being a mirror image thereof.

FIG. 6 is a sectional view on an enlarged scale taken along the line 6-6 in FIG. 1.

FIG. 7 is a sectional view on an enlarged scale taken along the line 7-7 in FIG. 1.

FIG. 8 is a fragmentary sectional view on an enlarged scale taken along the line 8-8 in FIG. 1.

The reflector units are partially shown through the front wall of the lens in FIG. 1 and on the interior surface of the front wall in FIG. 2 for convenience of illustration, it being understood that they are uniformly continuous over the areas on which they are shown.



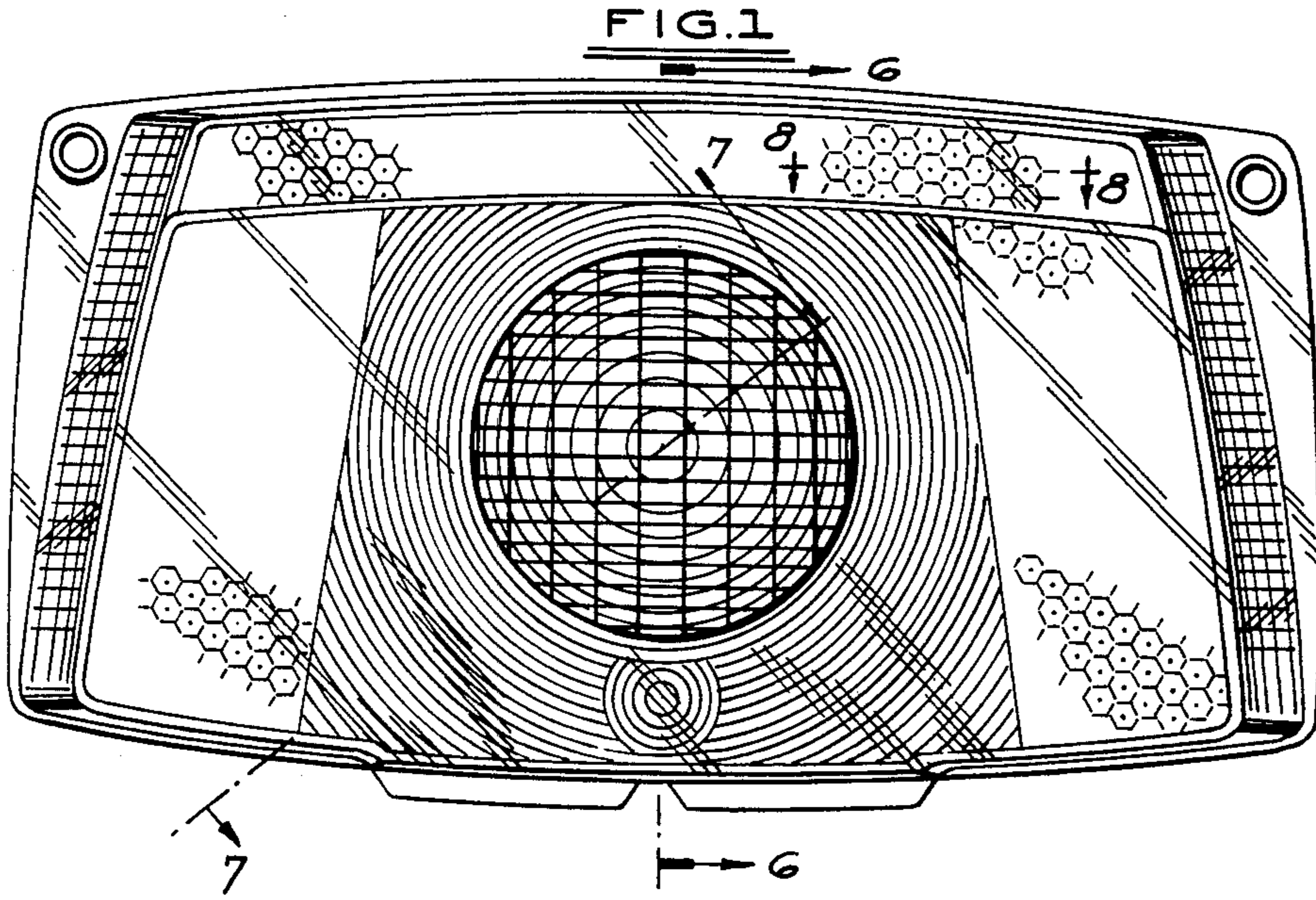


FIG. 2

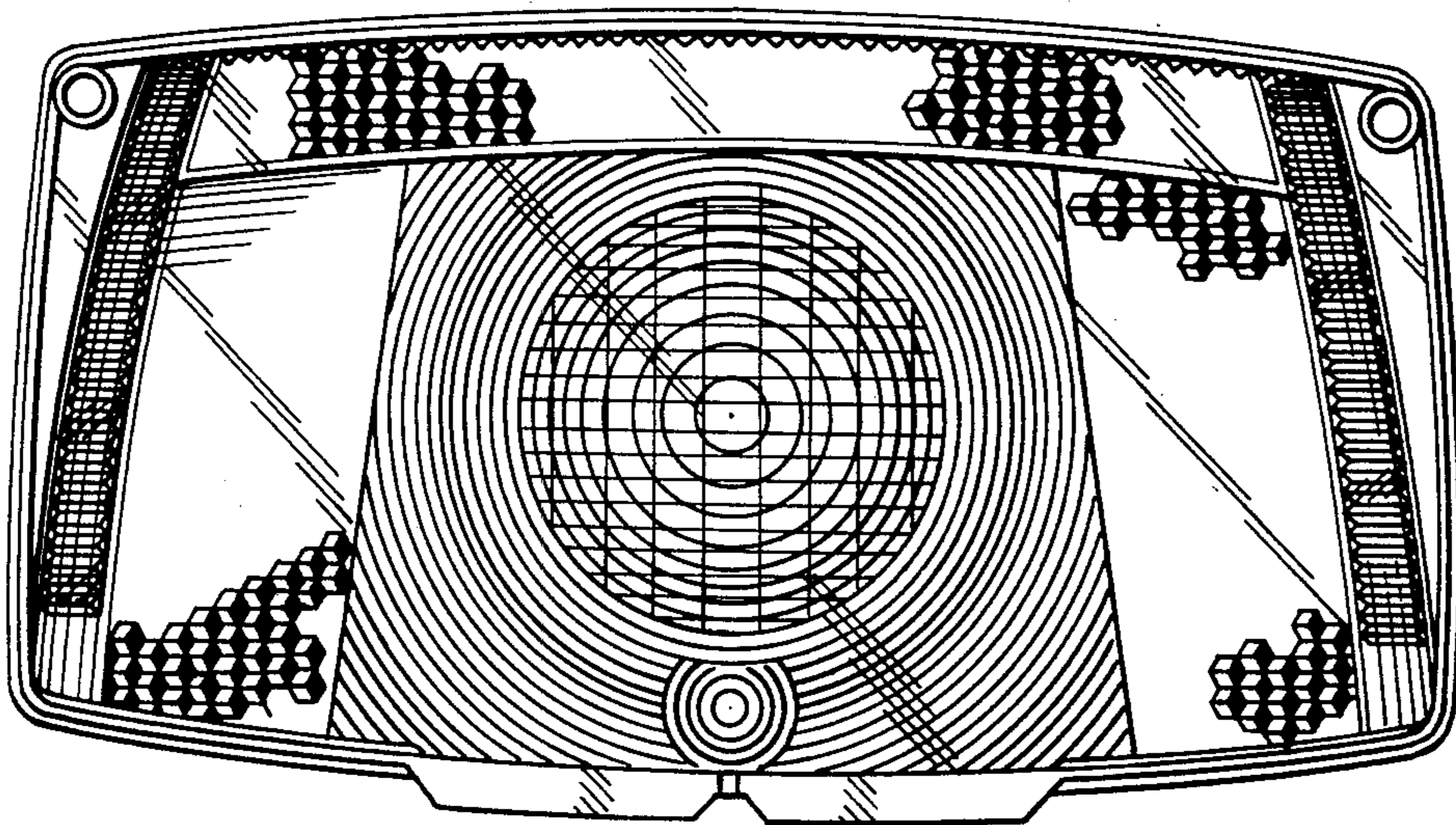


FIG. 5

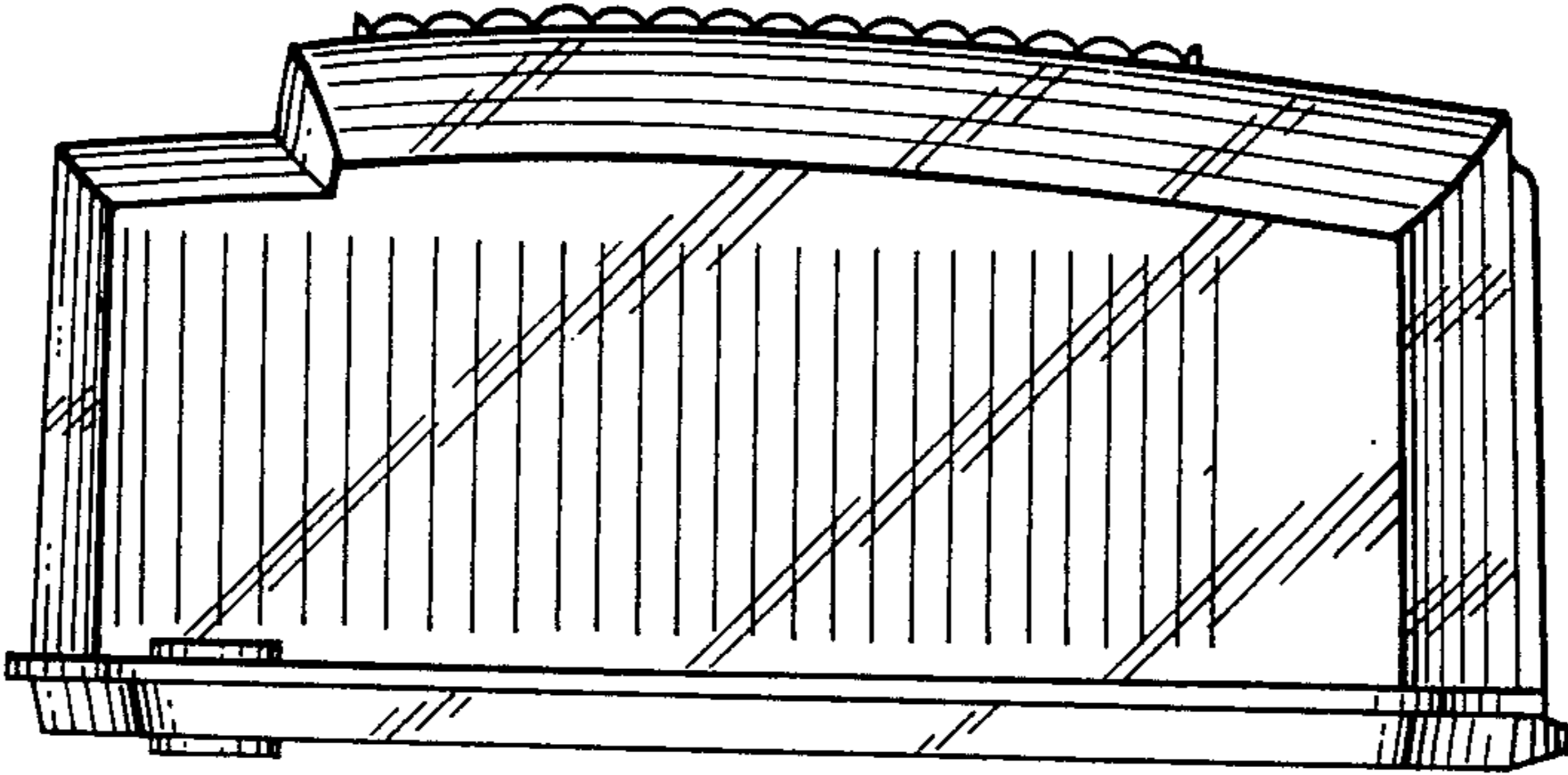


FIG. 3

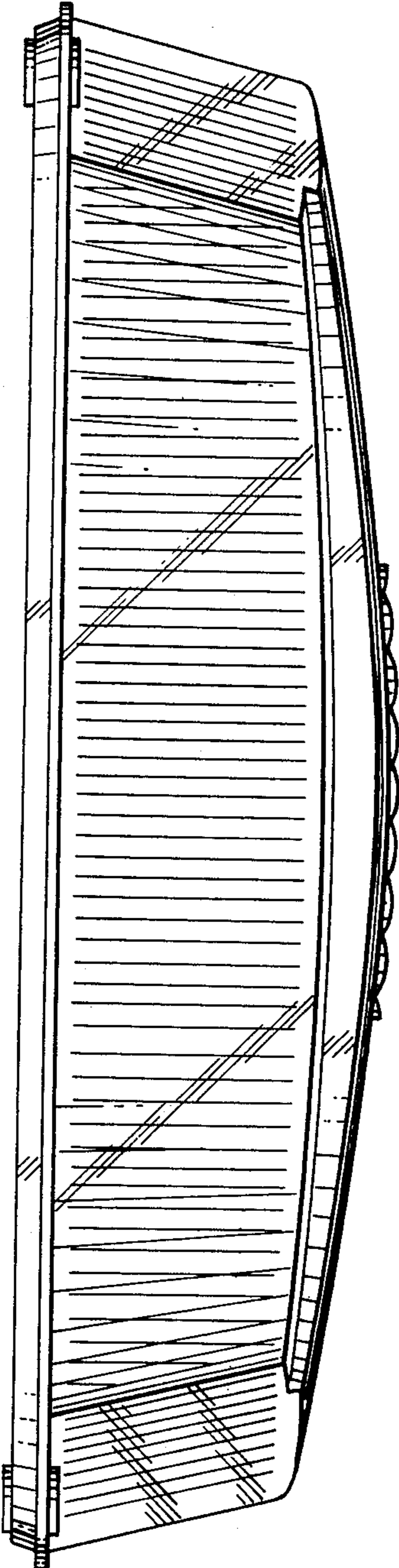
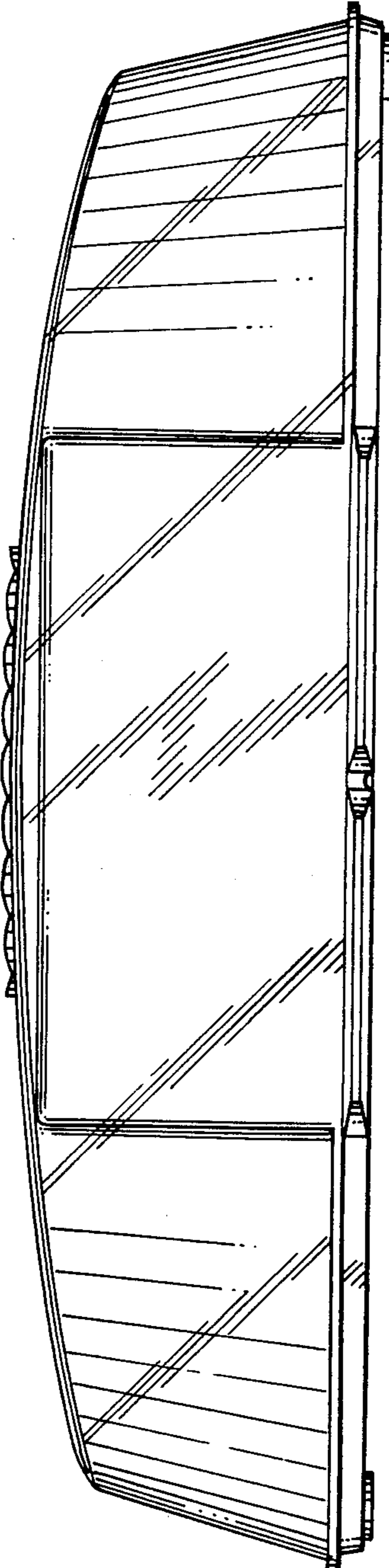


FIG. 4



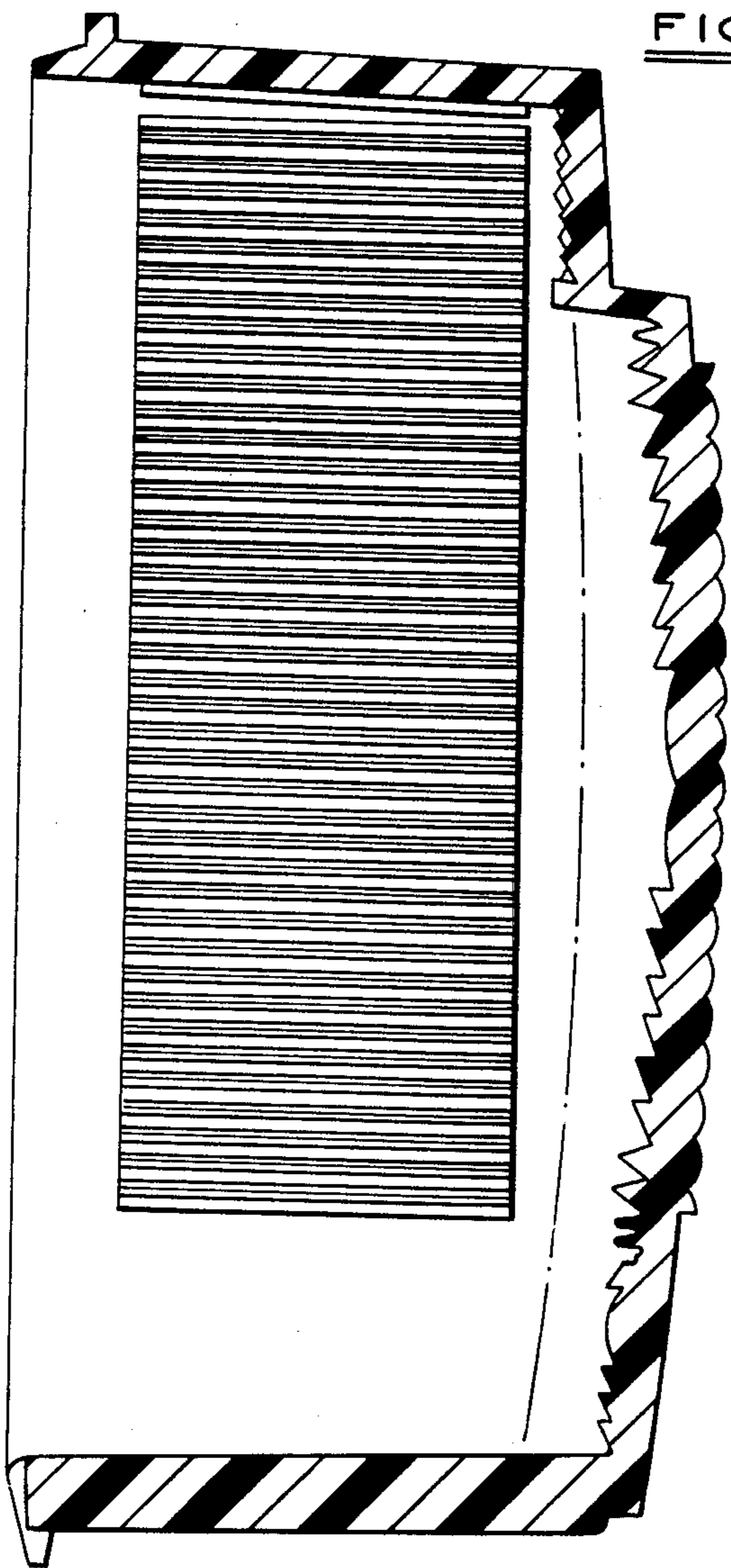


FIG. 6



FIG. 8

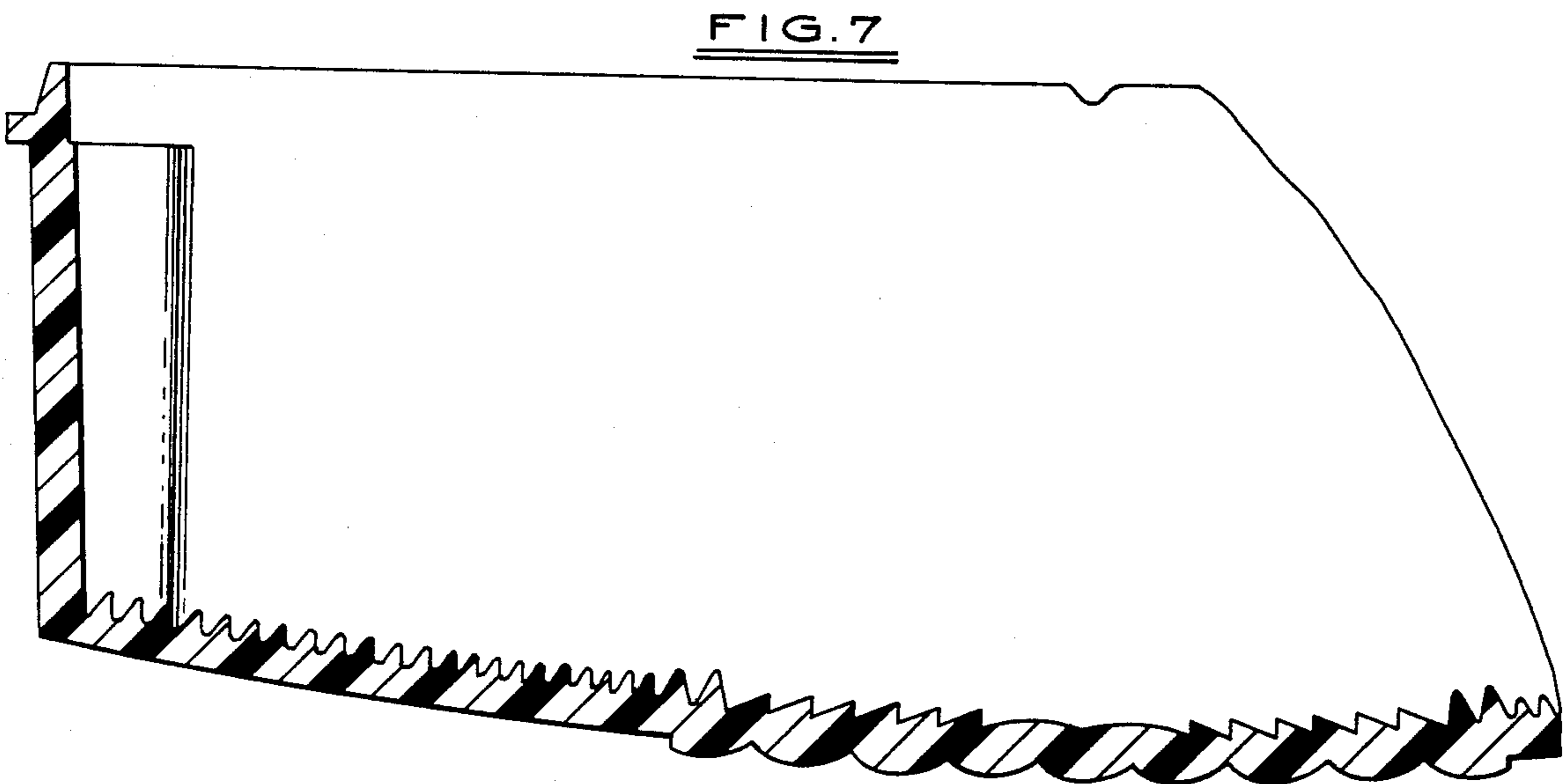


FIG. 7

UNITED STATES PATENT AND TRADEMARK OFFICE
CERTIFICATE OF CORRECTION

PATENT NO. : Des. 248,590

DATED : July 18, 1978

INVENTOR(S) : Arthur F. Bleiweiss and Richard Ball

It is certified that error appears in the above-identified patent and that said Letters Patent are hereby corrected as shown below:

Correct the inventor's name from "Arthur A. Bleiweiss"
to --Arthur F. Bleiweiss--

Signed and Sealed this

Sixth Day of February 1979

[SEAL]

Attest:

RUTH C. MASON
Attesting Officer

DONALD W. BANNER
Commissioner of Patents and Trademarks