

[54] **PENDULUM GAME DEVICE**

[76] **Inventor:** **Launa J. Lincoln**, 3 Green Acres Rd.
St. Louis, Mo. 63137

[**] **Term:** **14 Years**

[21] **Appl. No.:** **727,974**

[22] **Filed:** **Sep. 29, 1976**

[51] **Int. Cl.** **D21—01**
[52] **U.S. Cl.** **D34/15 P; D34/5 BB**
[58] **Field of Search** **D34/5 BB, 15 P;**
273/95 A, 58 C, 26 E

[56] **References Cited**

U.S. PATENT DOCUMENTS

1,345,789	7/1920	Linley	273/95 A
3,166,317	1/1965	Tumelson	273/26 E
3,367,655	2/1968	Navran	273/95 A

Primary Examiner—Melvin B. Feifer
Attorney, Agent, or Firm—Edward H. Renner

[57] **CLAIM**

The ornamental design for a pendulum game device, as shown and described.

DESCRIPTION

FIG. 1 is a perspective view of a pendulum game device showing my new design. The three support members have the same shape and are interchangeable. The back side is plain.

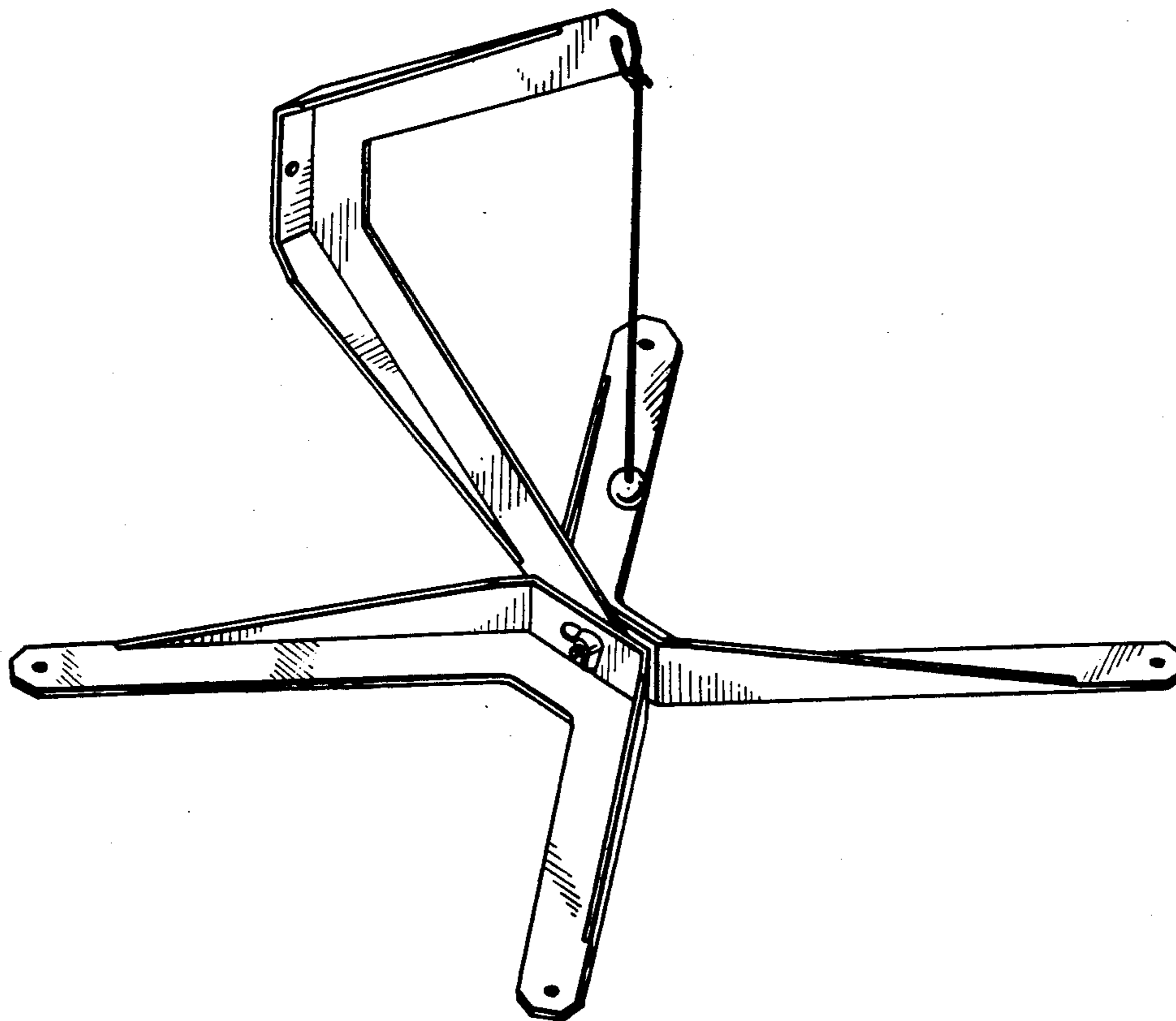


FIG. 1.

