

[54] PREFABRICATED SOUND BARRIER WALL

[76] Inventor: Lewis R. Herbst, 1036 Liberty La., Anaheim, Calif. 92805

[\*\*] Term: 14 Years

[21] Appl. No.: 659,296

[22] Filed: Feb. 19, 1976

[51] Int. Cl. .... D25-02

[52] U.S. Cl. .... D25/38

[58] Field of Search ..... D25/38, 43, 44; 256/13.1, 19, 24

[56] References Cited

U.S. PATENT DOCUMENTS

3,136,530	6/1964	Case	.....	256/24
3,393,896	7/1968	Poland	.....	256/24 X
3,936,035	2/1976	Weimar et al.	.....	256/13.1
3,983,956	10/1976	Manhart	.....	256/13.1 X

Primary Examiner—A. Hugo Word  
Attorney, Agent, or Firm—Louis J. Knobbe

[57] CLAIM

The ornamental design for a prefabricated sound barrier wall, as shown and described.

DESCRIPTION

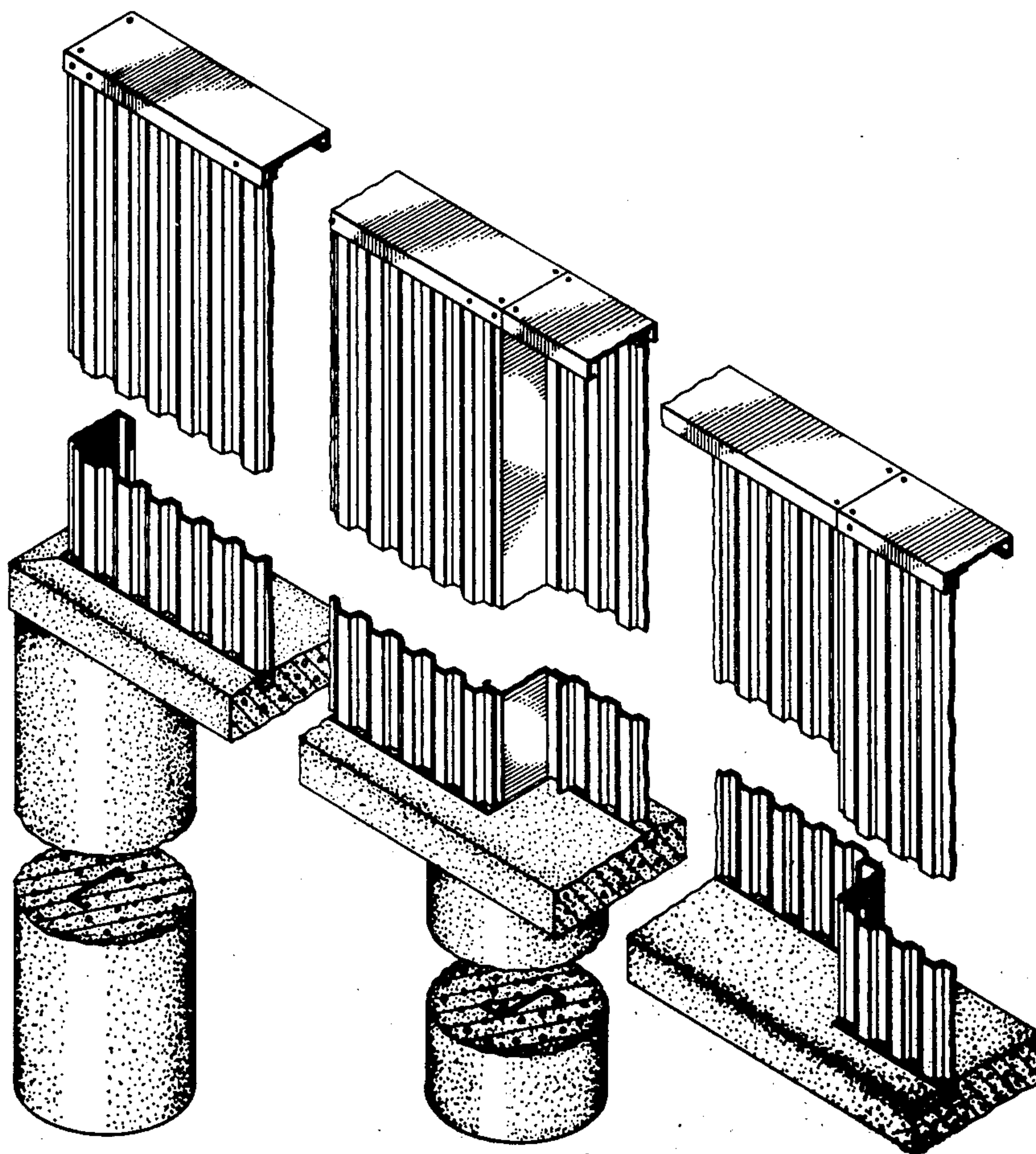
FIG. 1 is a perspective view showing the prefabricated sound barrier wall of the present invention installed adjacent to a roadway the plurality of dotted and broken lines are not part of the design sought to be patented but rather illustrate only vehicles traveling on the roadway as well as the environmental structure of the roadway itself, i.e., a center median and lane markers;

FIG. 2 is a perspective view broken at plural locations to show the overall shape and appearance of the barrier wall of FIG. 1;

FIG. 3 is a side elevation view showing the front side of the barrier wall of FIG. 1, the back side of the barrier wall being identical in appearance;

FIG. 4 is a sectional view taken at lines 4-4 of FIG. 3 to better illustrate the outward configuration of the barrier wall; and

FIG. 5 is an end elevation view of the barrier wall of FIG. 1, the alternate end of the barrier wall being identical in configuration.





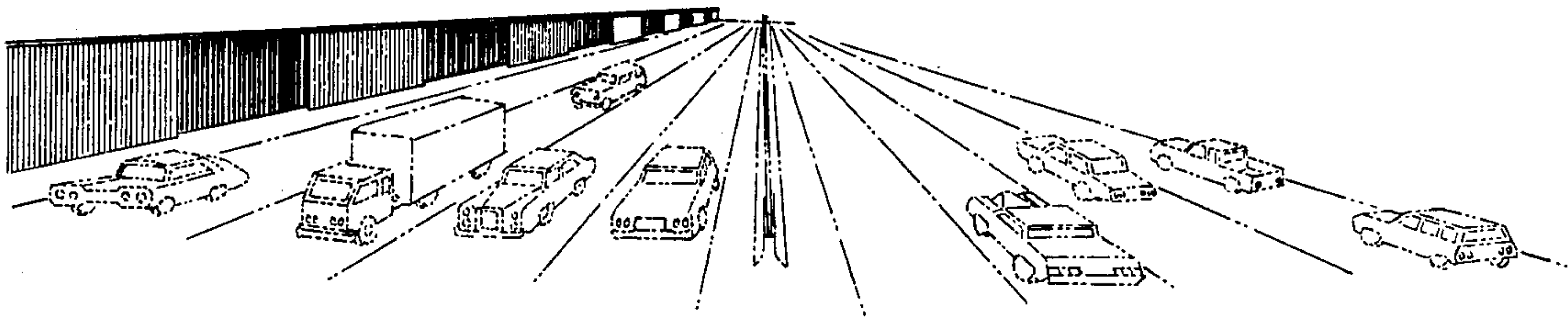


FIG. 1.

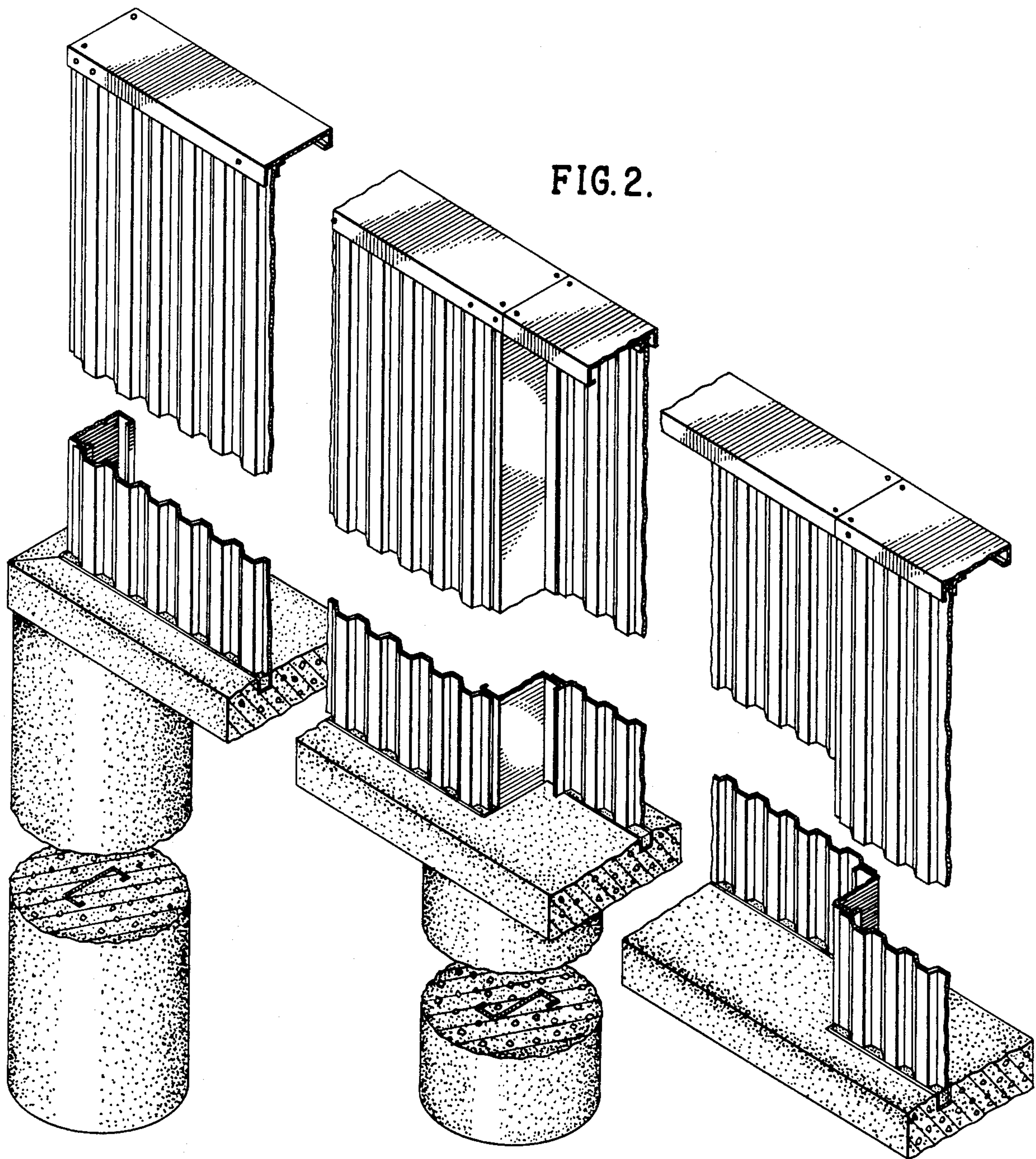


FIG. 2.



FIG. 4.

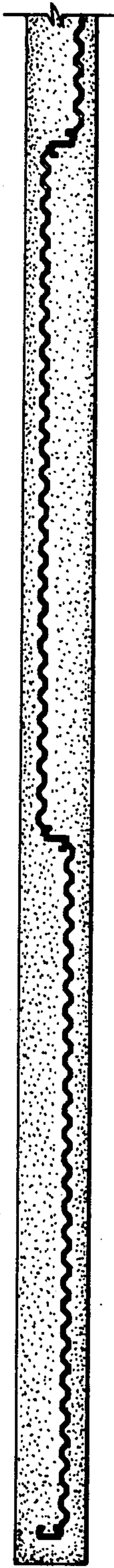


FIG. 3.

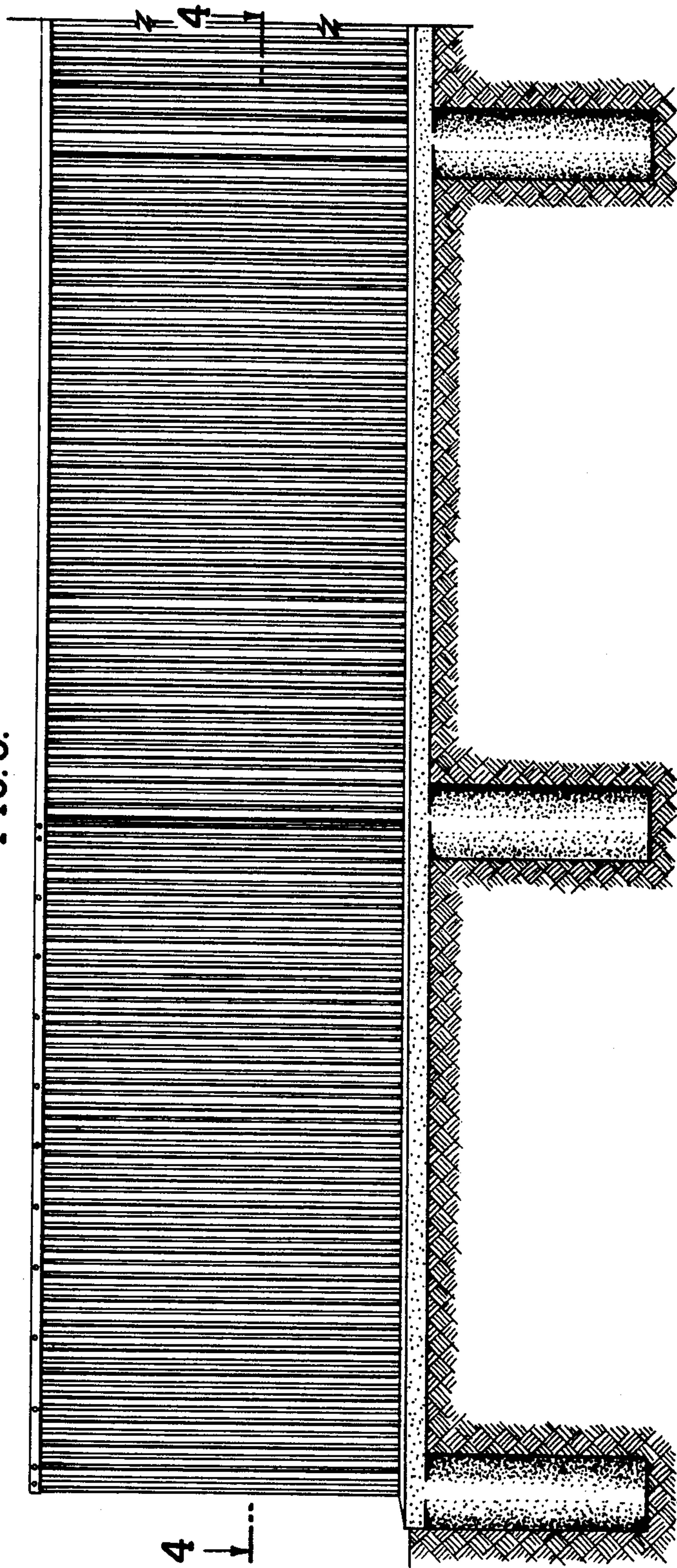


FIG. 5.

