

[54] CAR WASH BUILDING

[75] Inventors: Judson L. Smith; Bernard Stuart Siefer, both of Tempe, Ariz.

[73] Assignee: Judson L. Smith

[**] Term: 14 Years

[21] Appl. No.: 691,525

[22] Filed: Jun. 1, 1976

[51] Int. Cl. D25-03

[52] U.S. Cl. D25/31; D25/22; D25/34

[58] Field of Search D25/1, 3, 13, 17, 18, D25/19, 23, 31, 32, 59

[56] References Cited

U.S. PATENT DOCUMENTS

- D. 213,434 3/1969 Bassin D25/31 X
- D. 225,517 12/1972 Cuplon D25/31

OTHER PUBLICATIONS

Sweet Architectural Catalog File, 1962, Section 16a-A10, p. 11, Illustration A at top right.
 Architectural Record, Oct. 1963, p. 336, Building at top of page.

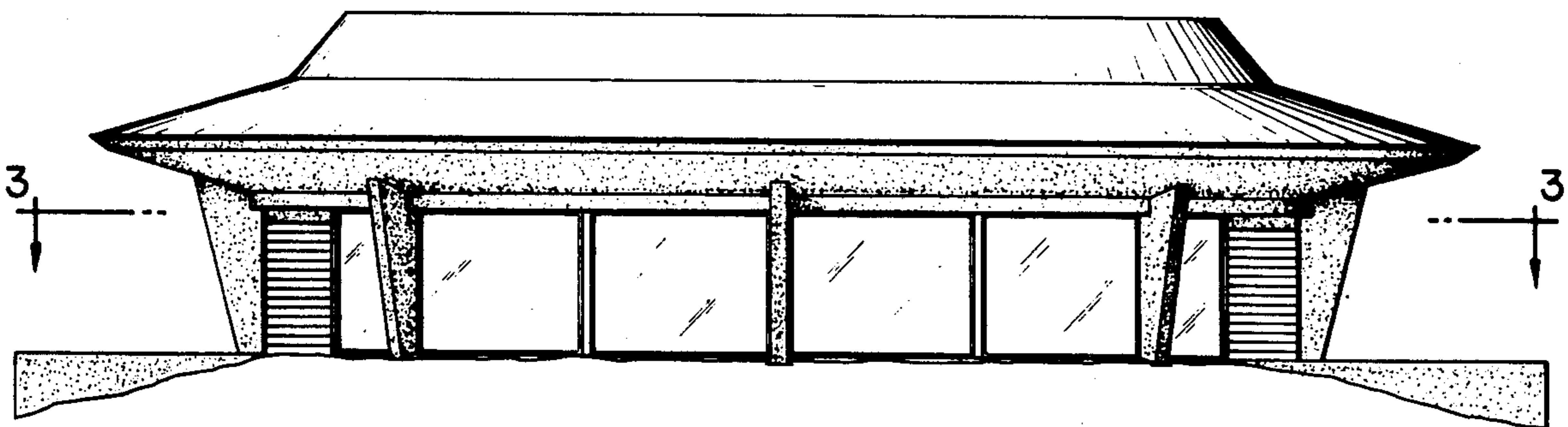
Primary Examiner—A. Hugo Word
 Attorney, Agent, or Firm—Harold R. Woodard

[57] CLAIM

The ornamental design for a car wash building, as shown and described.

DESCRIPTION

FIG. 1 is a top plan view of a car wash building embodying our new design.
 FIG. 2 is a front elevational view thereof.
 FIG. 3 is a section taken at line 3—3 in FIG. 2 and viewed in the direction of the arrows.
 FIG. 4 is an elevational view looking in the direction of the arrow 4 in FIG. 3 and between the two trapezoidal columns, showing only the portion under the overhang, as the overhang is symmetrical throughout the circumference of the building. FIG. 4 also shows the upwardly rollable door between the two window panes, and the portion of the retaining wall which is apparent in a view of the building looking in the direction of arrow number 4.
 FIG. 5 is a view such as FIG. 4, but taken in the direction of the arrow 5 in FIG. 3.
 FIG. 6 is a view such as FIG. 4, but taken in the direction of the arrow 6 in FIG. 3.
 FIG. 7 is a view such as FIG. 4, but taken in the direction of the arrow 7 in FIG. 3.
 FIG. 8 is a view such as FIG. 4 but taken in the direction of the arrow 8 in FIG. 3.
 FIG. 9 is a view such as FIG. 4, but taken in the direction of the arrow 9 in FIG. 3, and is showing the vertically rollable door between a window pane on the right and a hinged entry doorway on the left, with a portion of the other retaining wall shown in the same manner as FIG. 4.



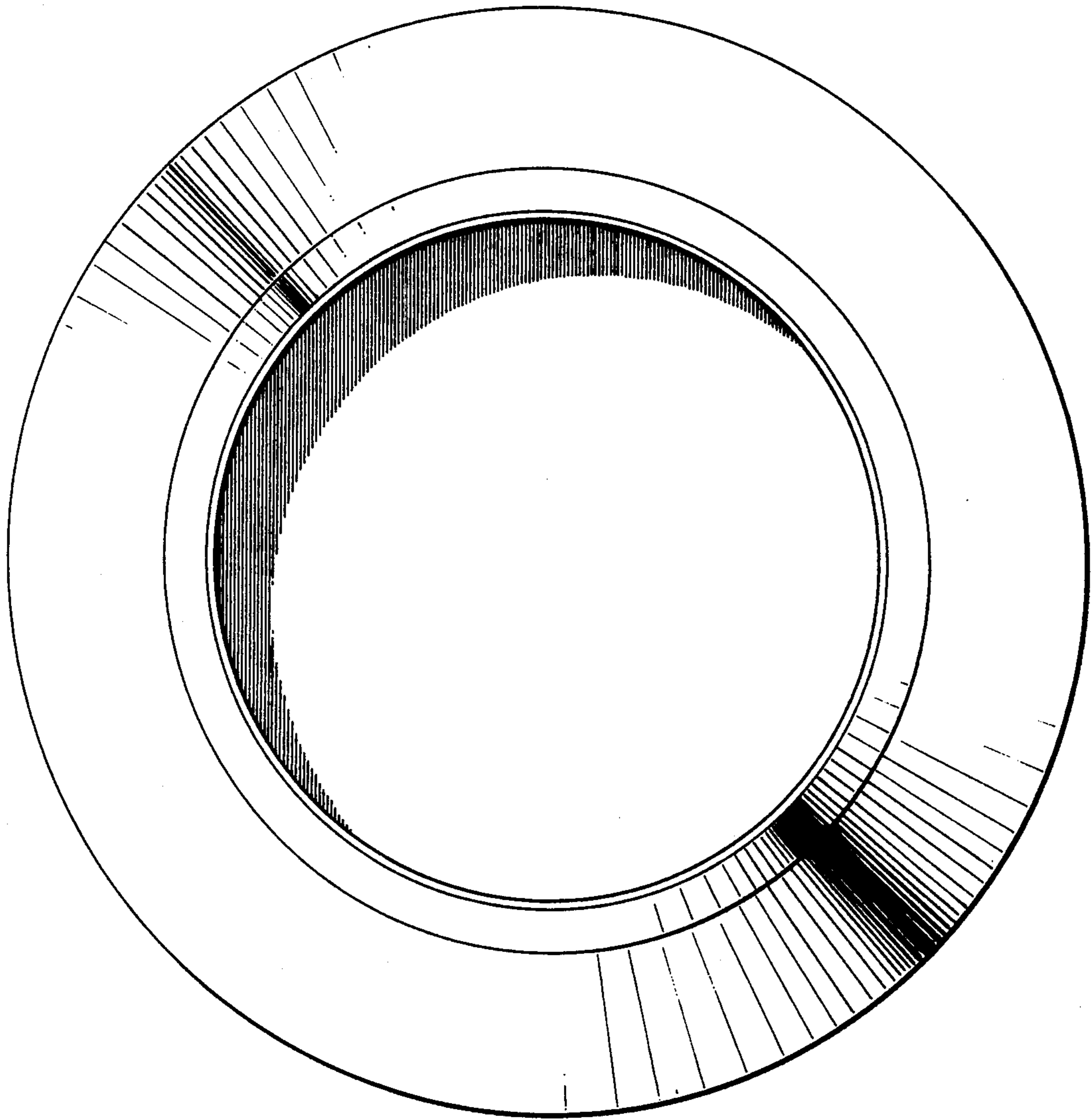


Fig. 1

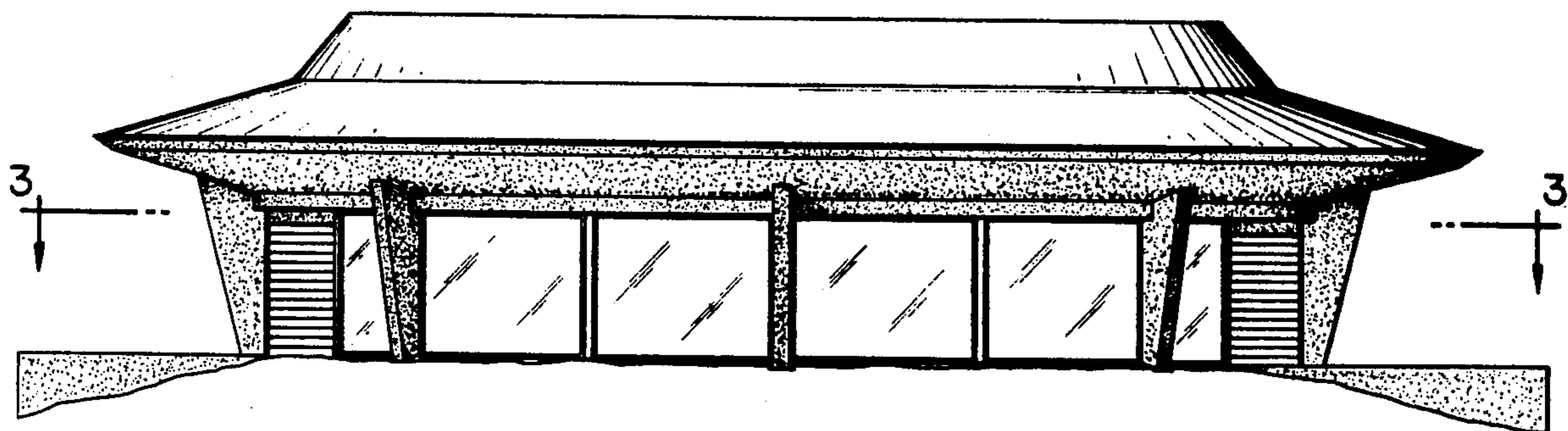


Fig. 2

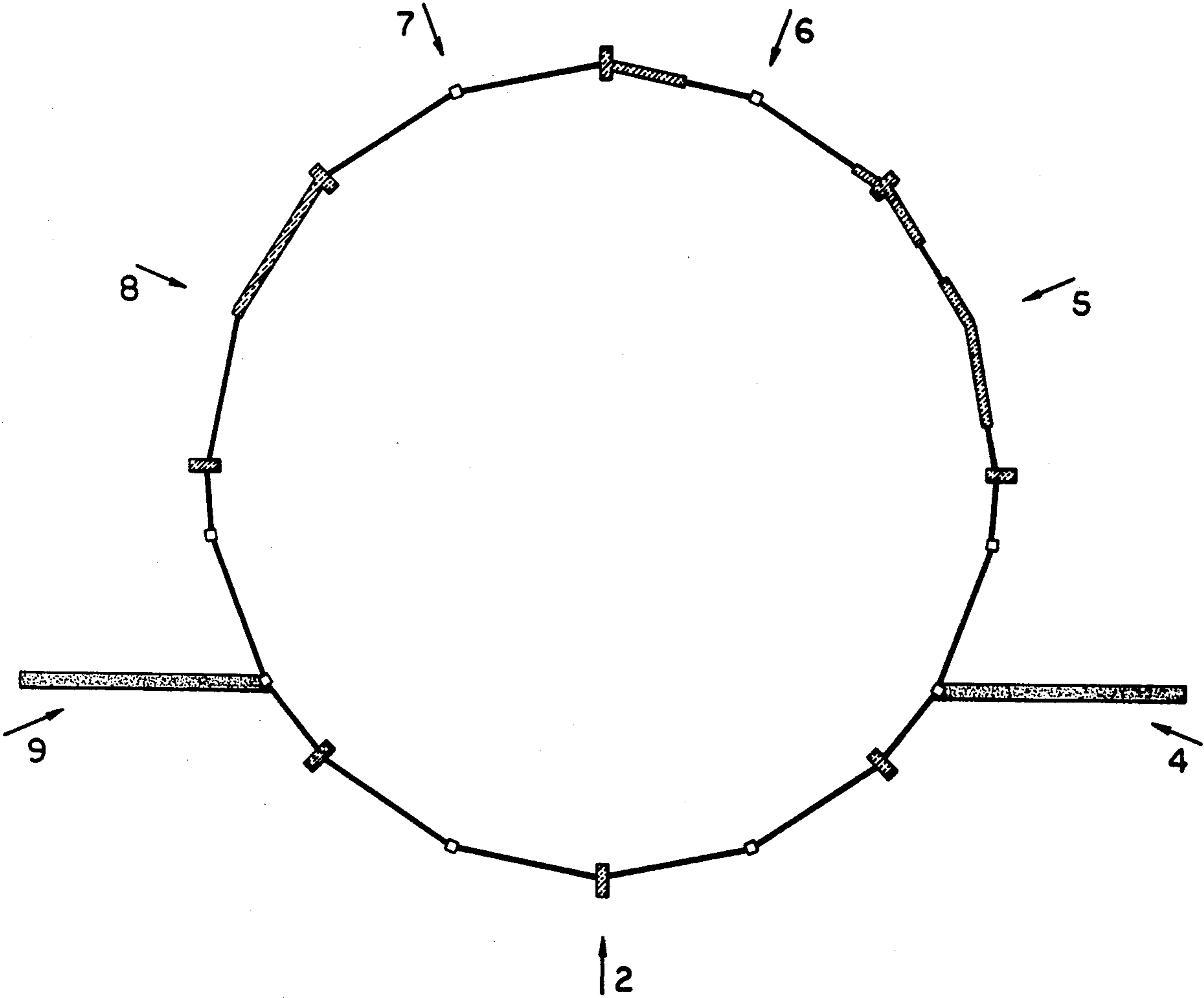


Fig. 3

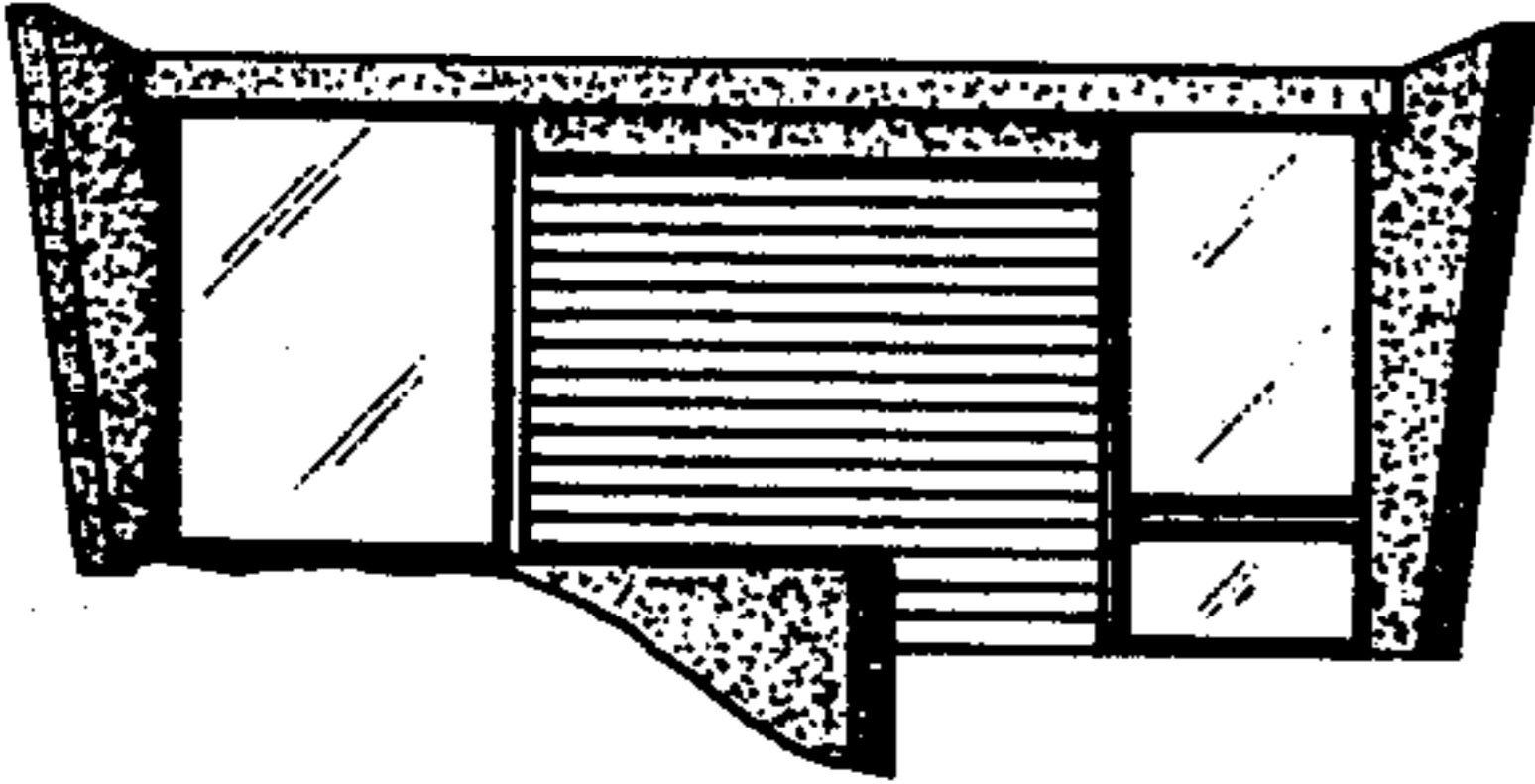


Fig. 4

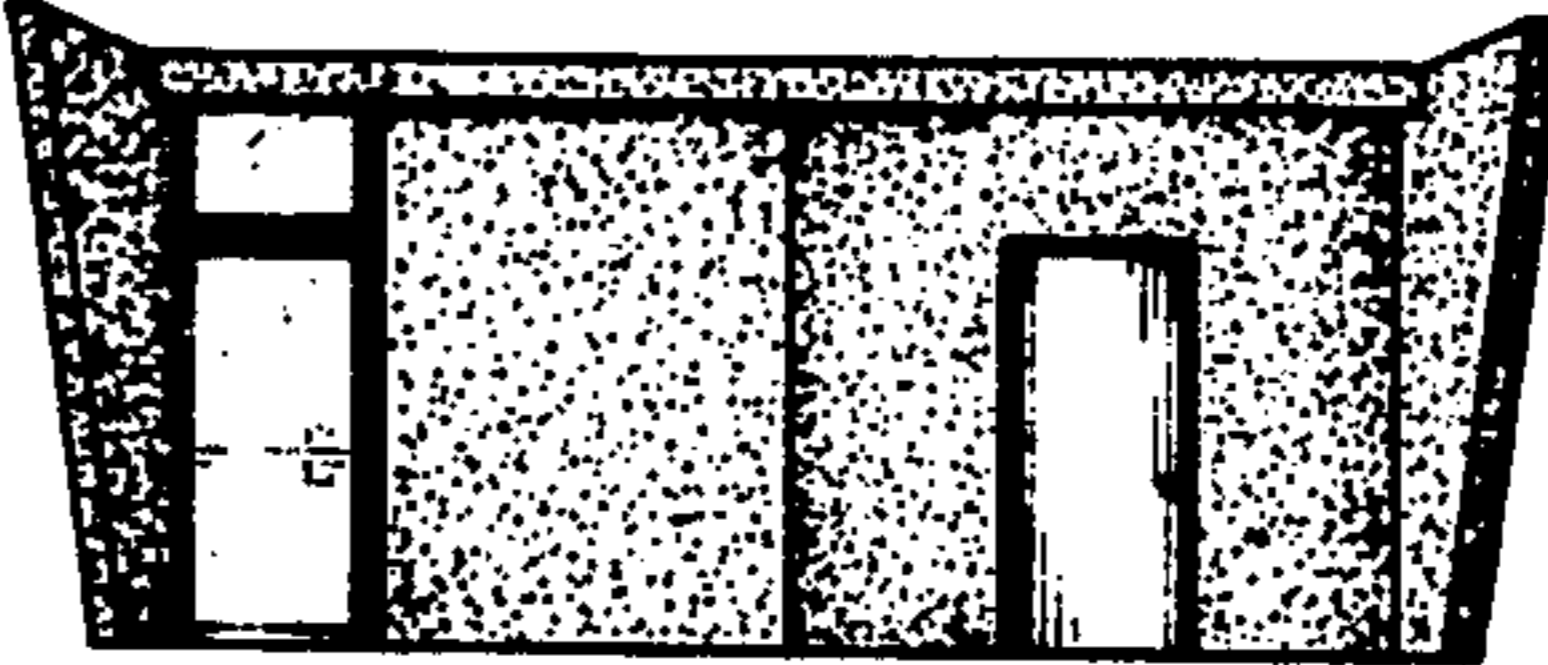


Fig. 5

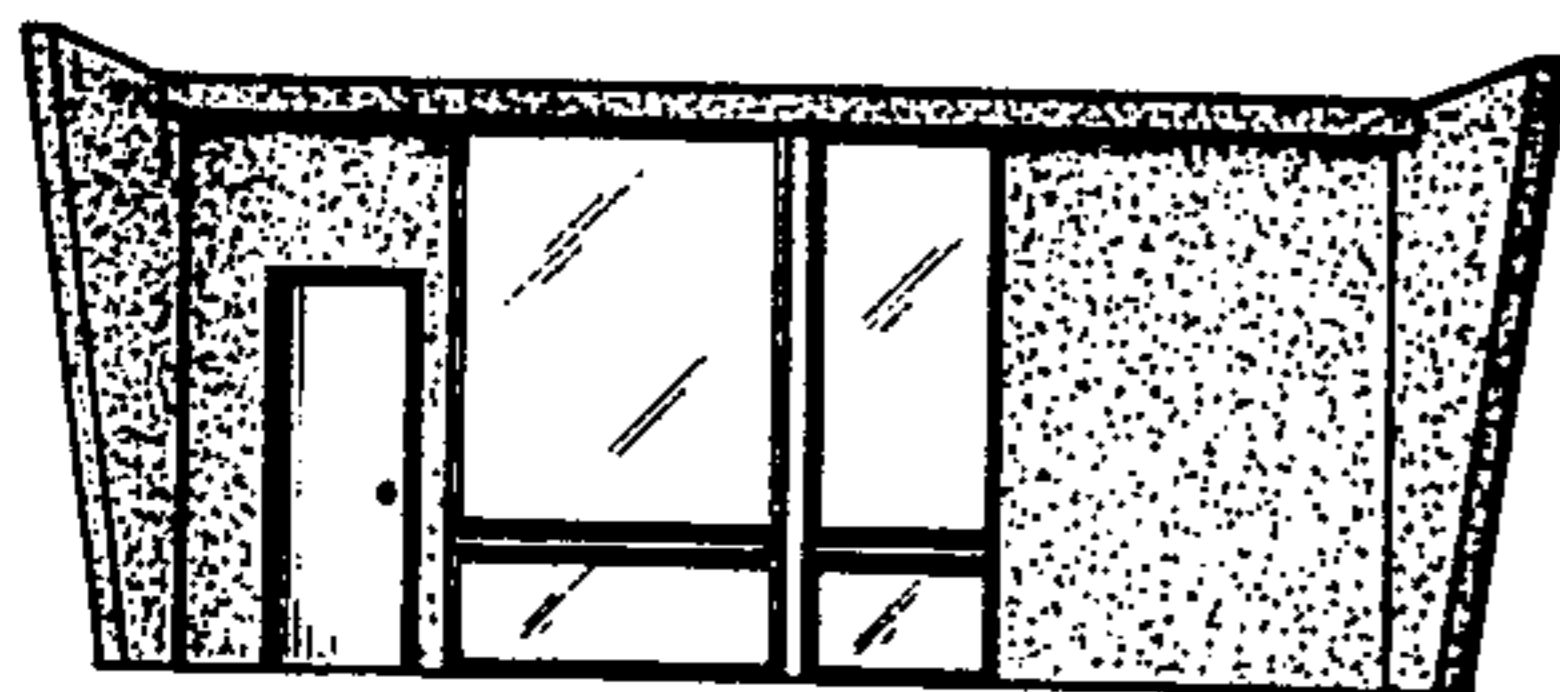


Fig. 6

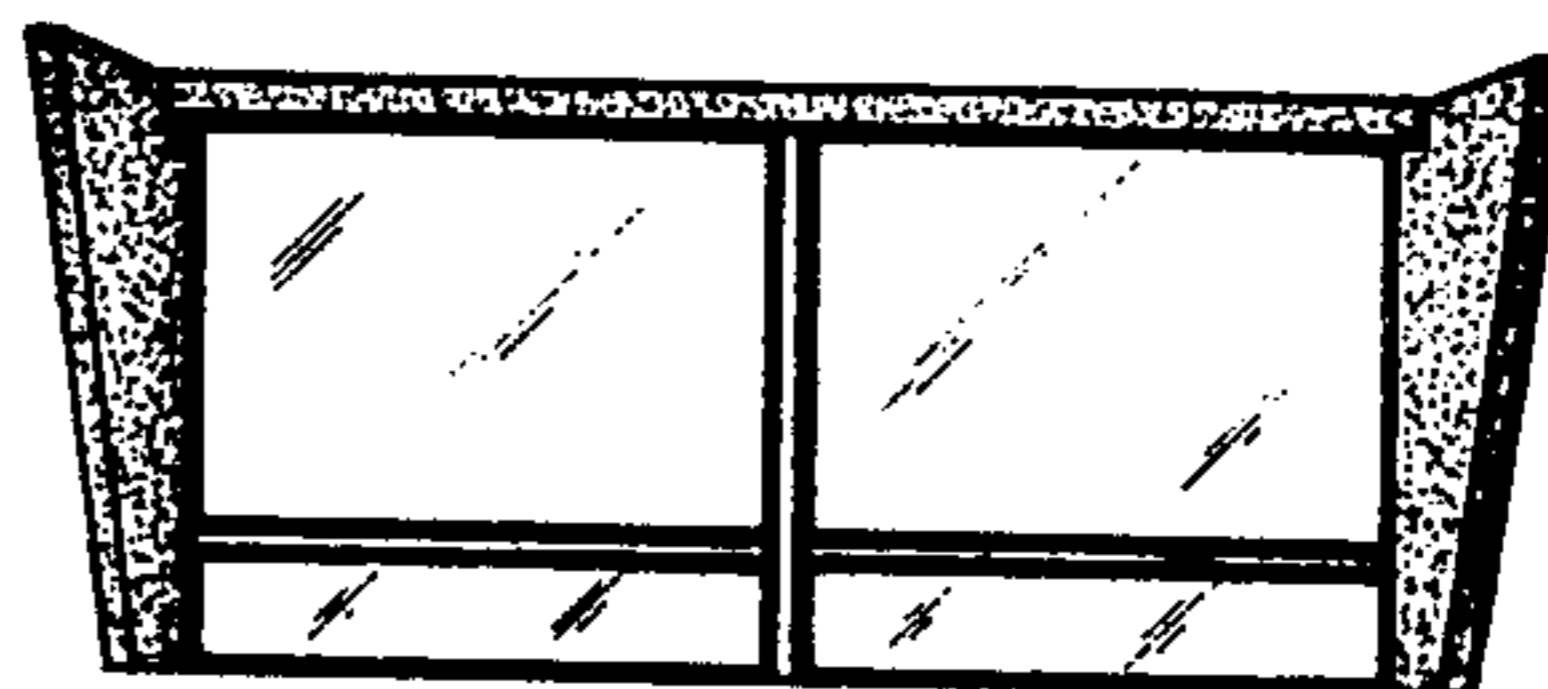


Fig. 7

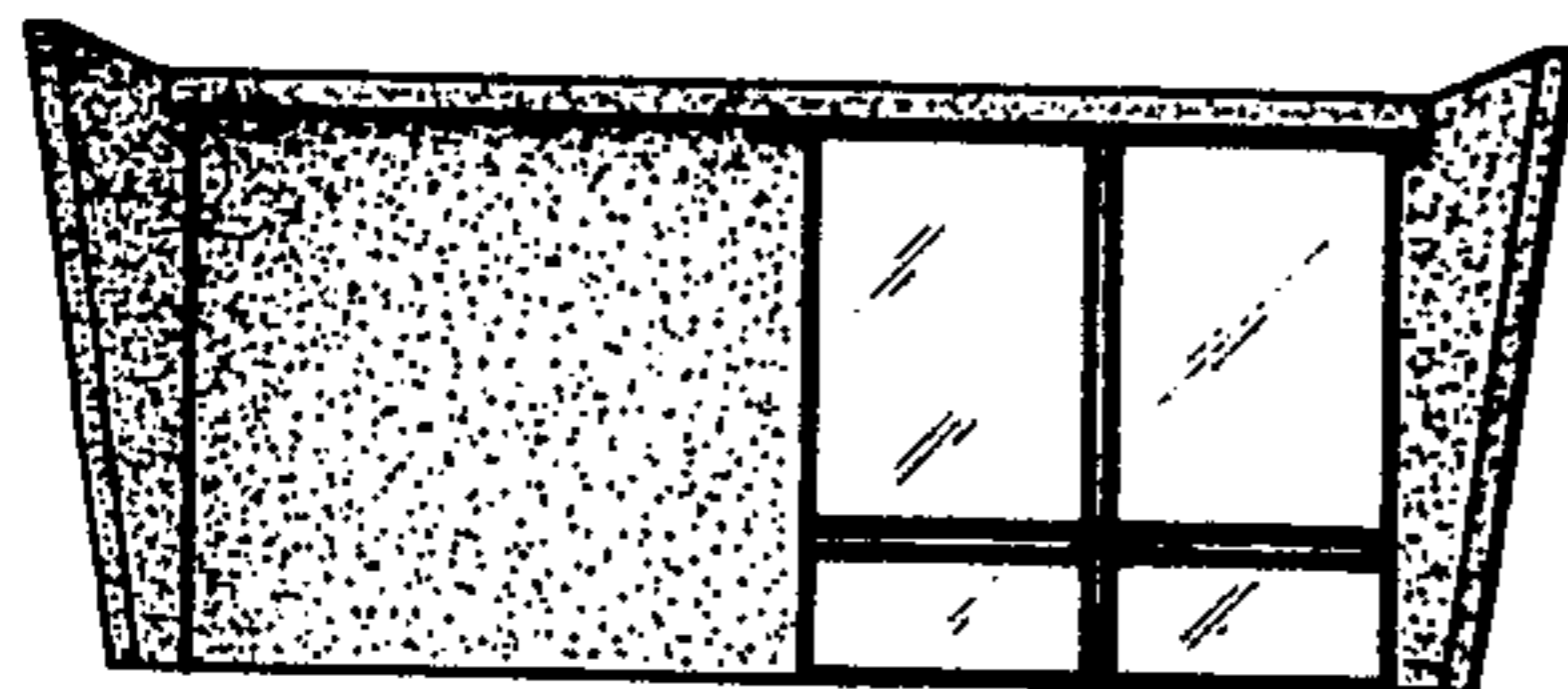


Fig. 8

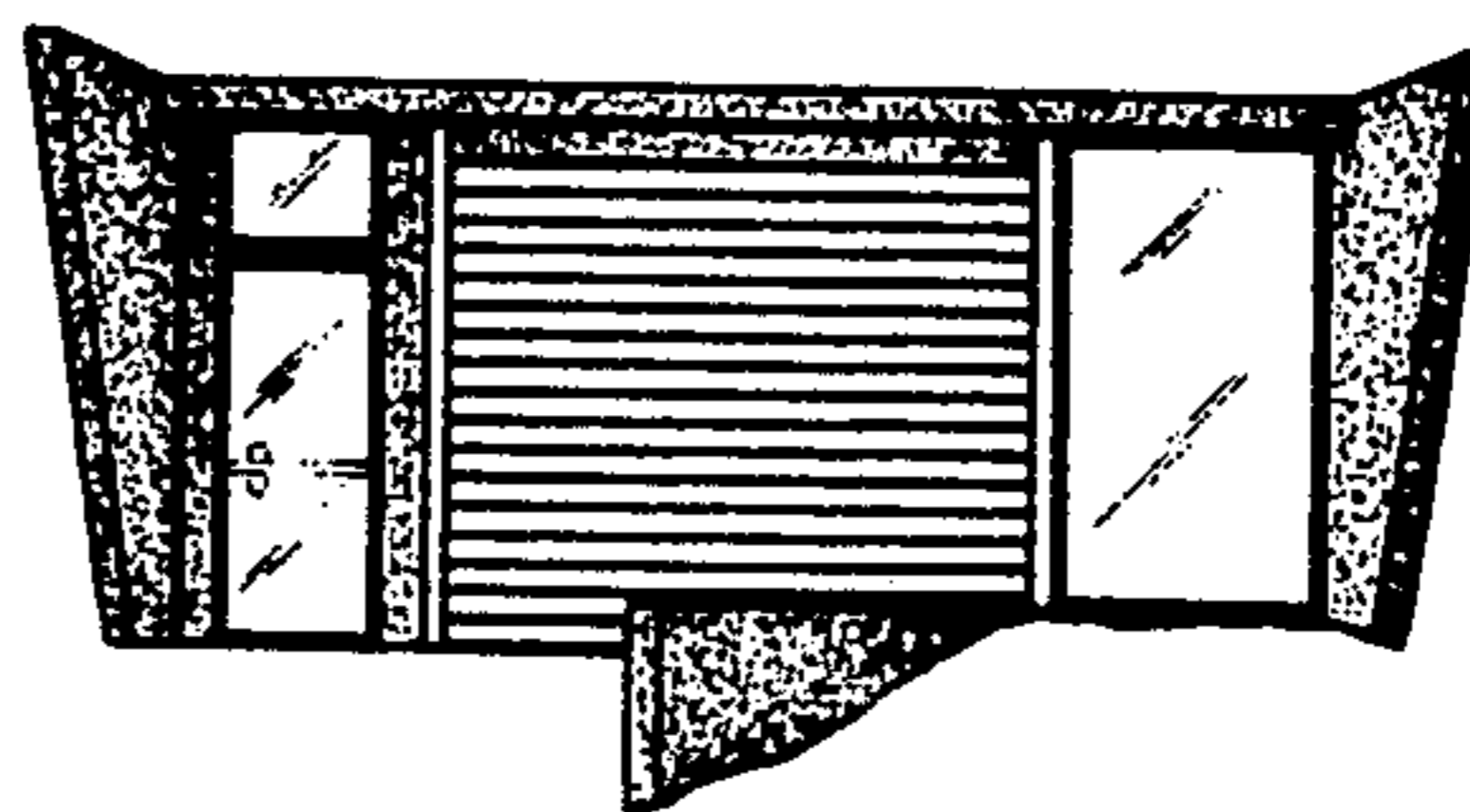


Fig. 9