

[54] **STERILIZER CABINET**

[76] Inventor: **James R. Ward**, 1520 S. Oates St.,
Dothan, Ala. 36301

[**] Term: **14 Years**

[21] Appl. No.: **703,069**

[22] Filed: **Jul. 6, 1976**

[51] Int. Cl. **D24—01**

[52] U.S. Cl. **D24/9**

[58] Field of Search **D6/150; D24/9, 2;
23/290, 291; 21/93, 91, 95; D14/99, 40, 45**

[56] **References Cited**

U.S. PATENT DOCUMENTS

D. 188,521	8/1960	Adams	D24/9
D. 193,965	10/1962	Wulc	D24/2
D. 211,973	8/1968	Eppler	D24/9
D. 219,990	2/1971	Sakow	D6/150
D. 228,922	10/1973	Pruyne	D14/92
D. 243,556	3/1977	Thomas et al.	D24/9

Primary Examiner—Bernard Ansher

Attorney, Agent, or Firm—Charles E. Brown

[57] **CLAIM**

The ornamental design for a sterilizer cabinet, as shown and described.

DESCRIPTION

FIG. 1 is a top perspective view of a sterilizer cabinet, showing my new design; and
FIG. 2 is a bottom perspective view thereof.

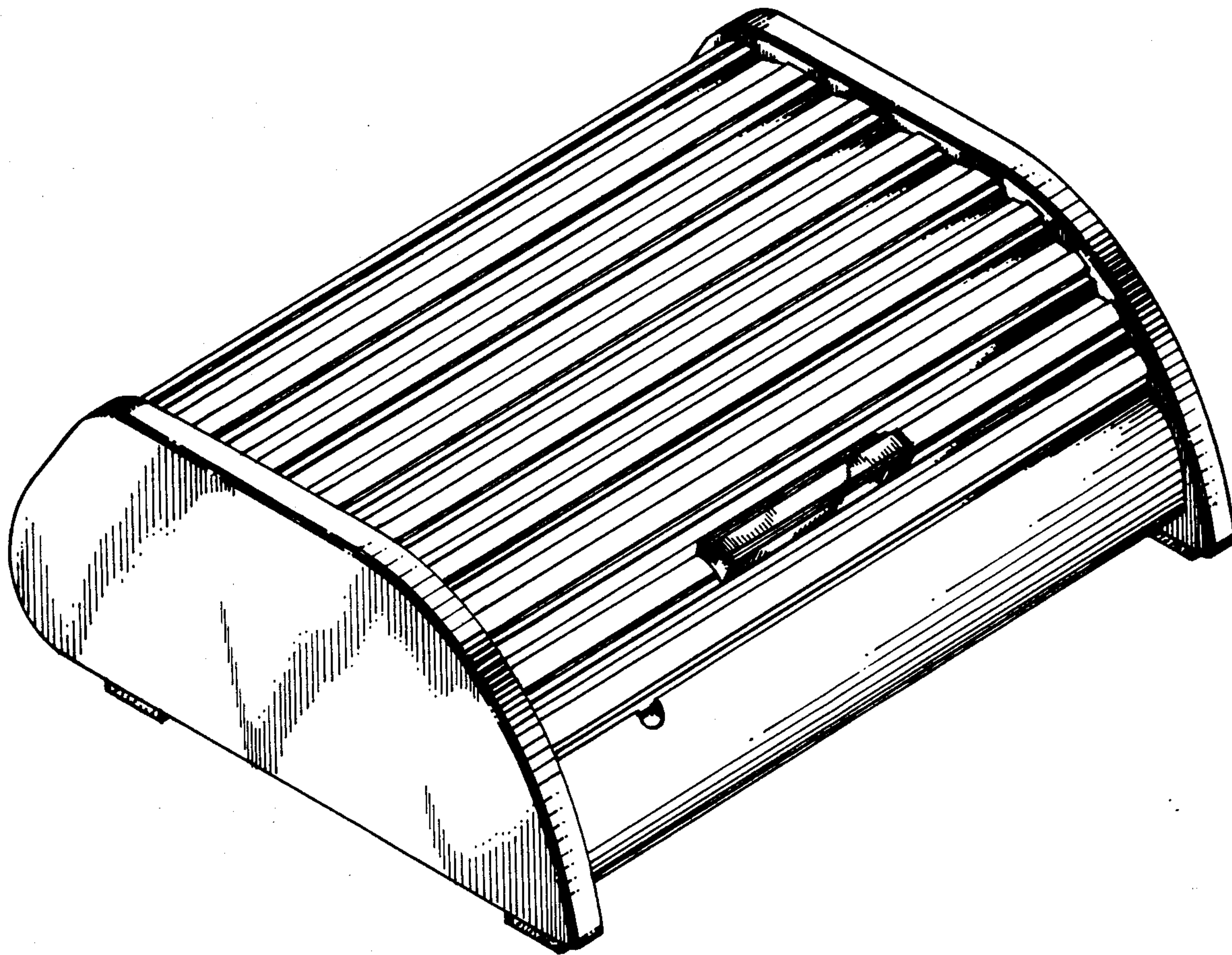


FIG. 1

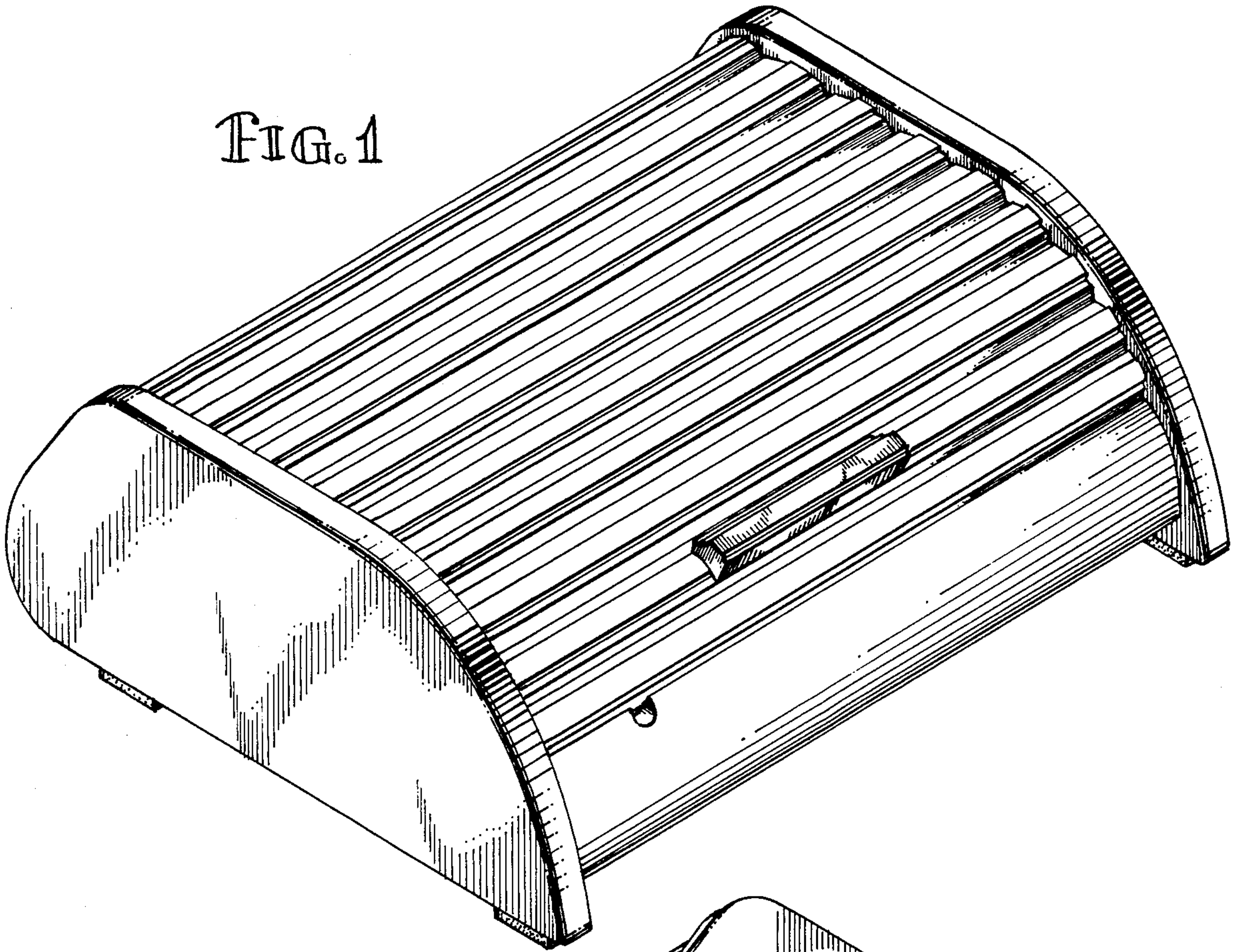


FIG. 2

