

[54] COMBINED SECURITY ACCESS GATE AND CONTROLLING CARD READER THEREFOR

[75] Inventor: Luigi Dibenedetto, El Segundo, Calif.

[73] Assignee: TRW Data Systems, Hawthorne, Calif.

[**] Term: 14 Years

[21] Appl. No.: 699,151

[22] Filed: Jun. 23, 1976

[51] Int. Cl. D14-02; D25-99

[52] U.S. Cl. D14/49; D25/50

[58] Field of Search D14/40-50; D25/48, 50, 51; 49/35; 340/149; 235/61.7 B, 61.11 D, 61.11 F

[56] References Cited

U.S. PATENT DOCUMENTS

3,221,304 11/1965 Enikeieff et al. 49/35 X
3,368,305 2/1968 Piekarski 49/35 X

FOREIGN PATENT DOCUMENTS

1,926,990 12/1969 Fed. Rep. of Germany 49/3 S

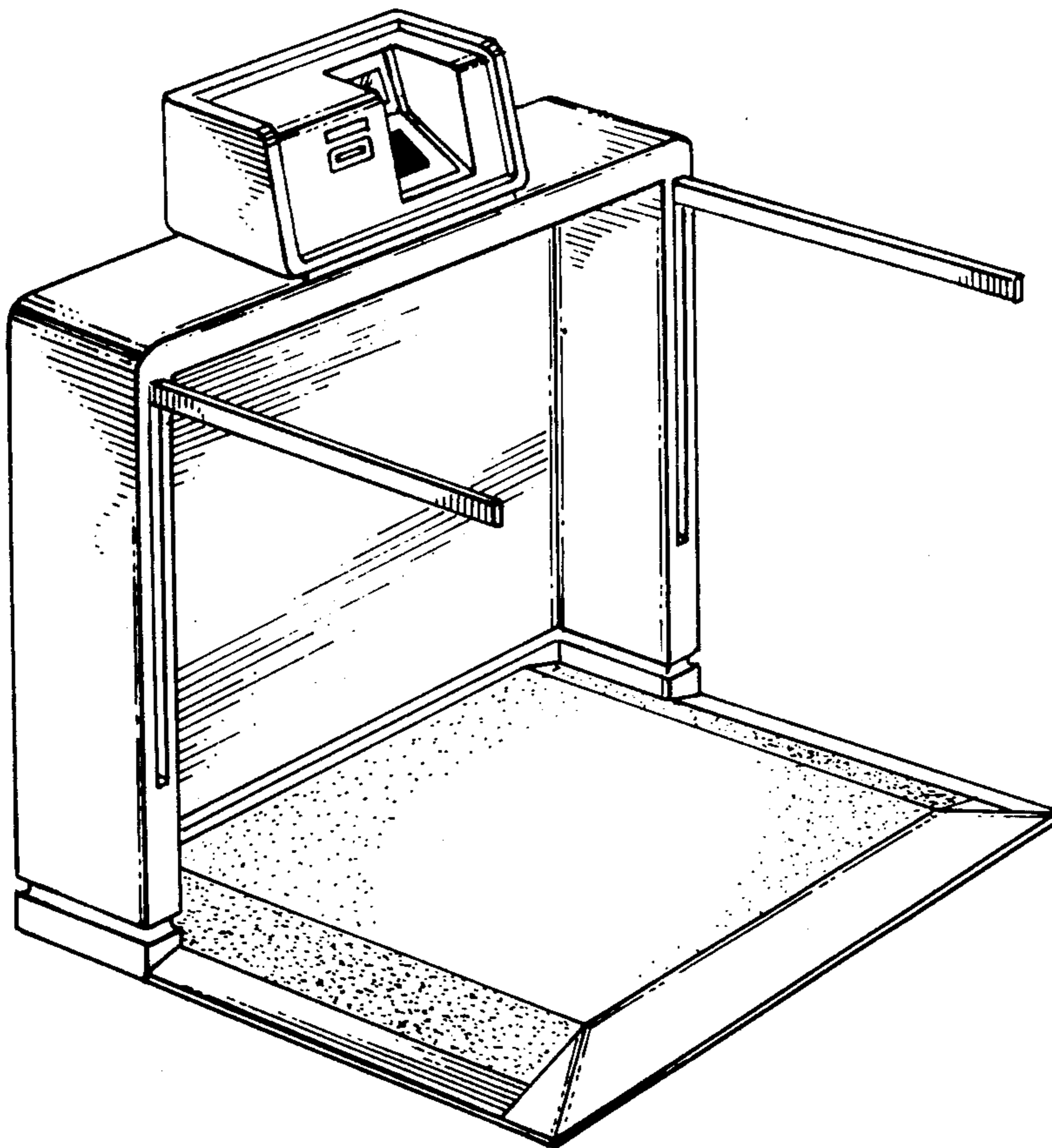
Primary Examiner—Susan J. Lucas
Attorney, Agent, or Firm—W. Robert Spensley

[57] CLAIM

The ornamental design for a combined security access gate and controlling card reader therefor, substantially as shown.

DESCRIPTION

FIG. 1 is a front perspective view of a combined security access gate and controlling card reader therefor illustrating the new design;
FIG. 2 is a top plan view thereof;
FIG. 3 is a front elevational view thereof; and
FIG. 4 is a side elevational view thereof.
The rear of the article is flat and unadorned.



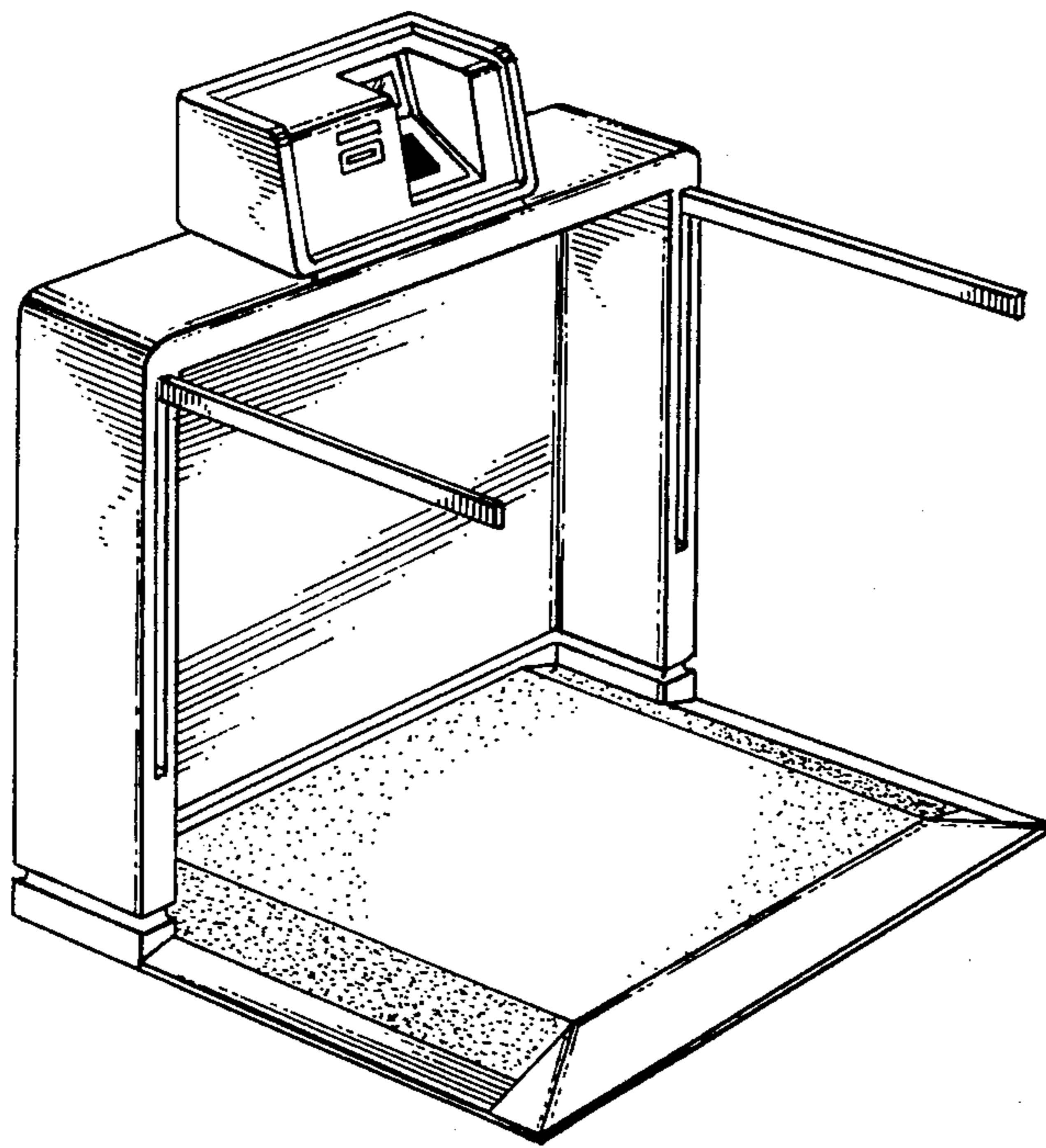


Fig. 1

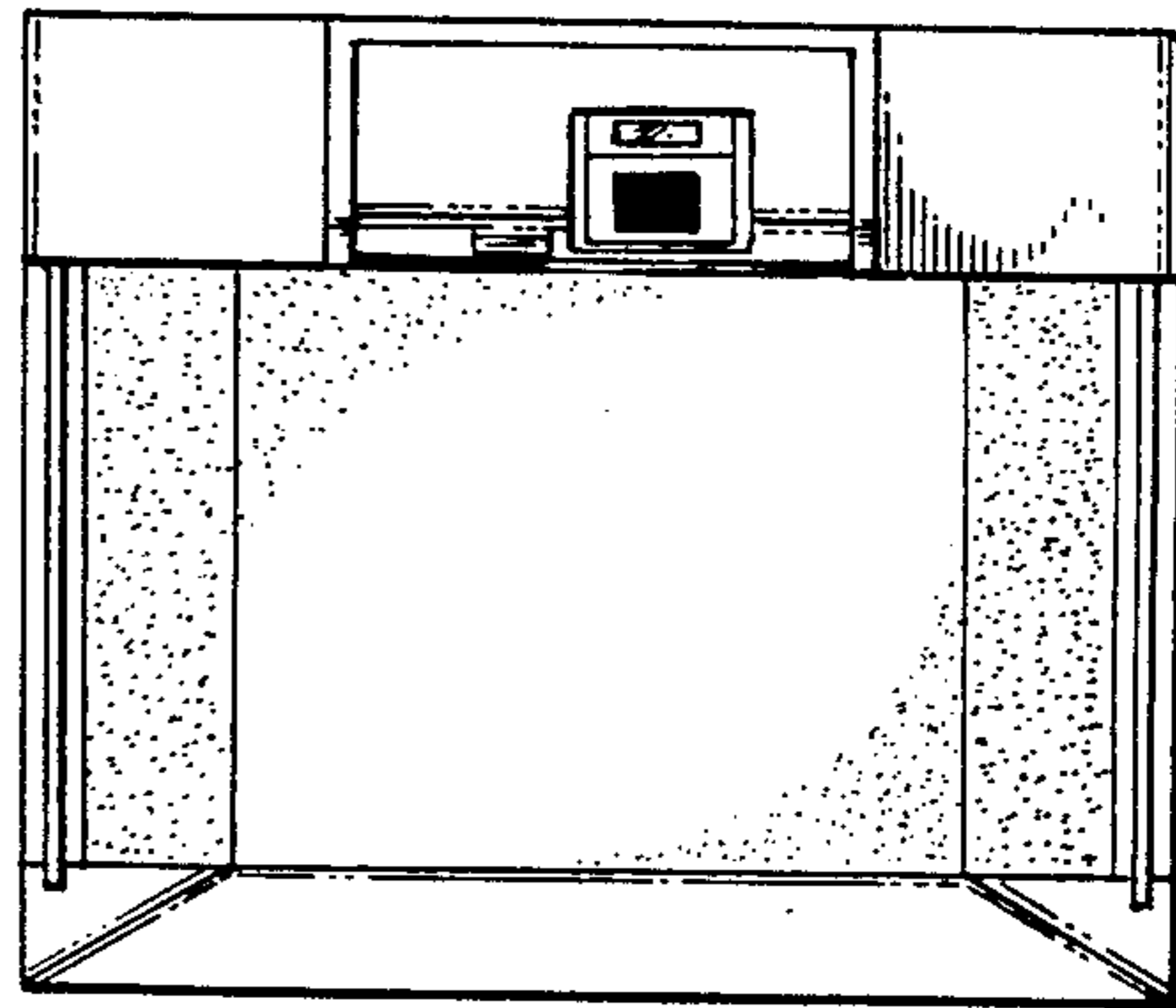


Fig. 2

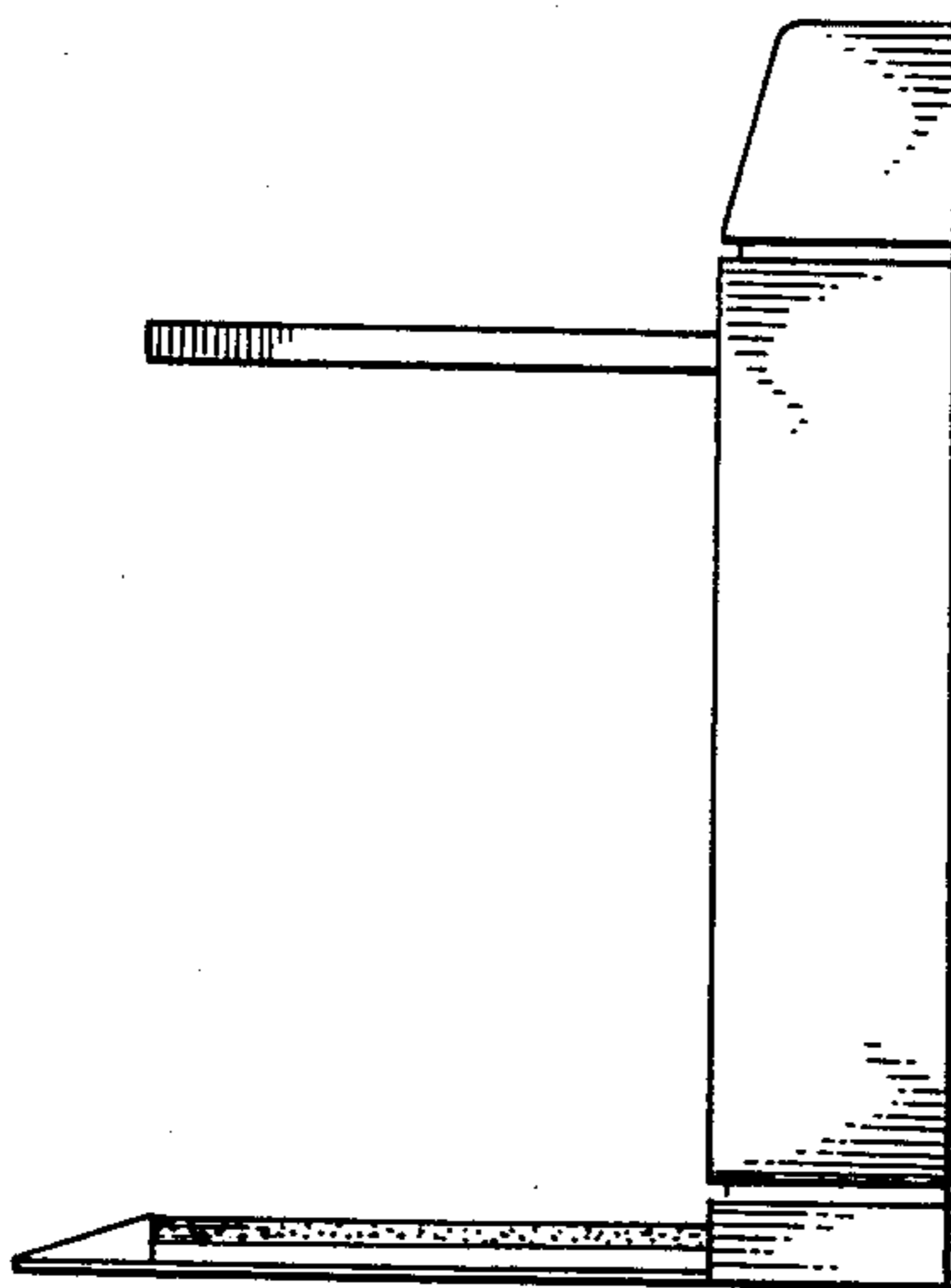


Fig. 4

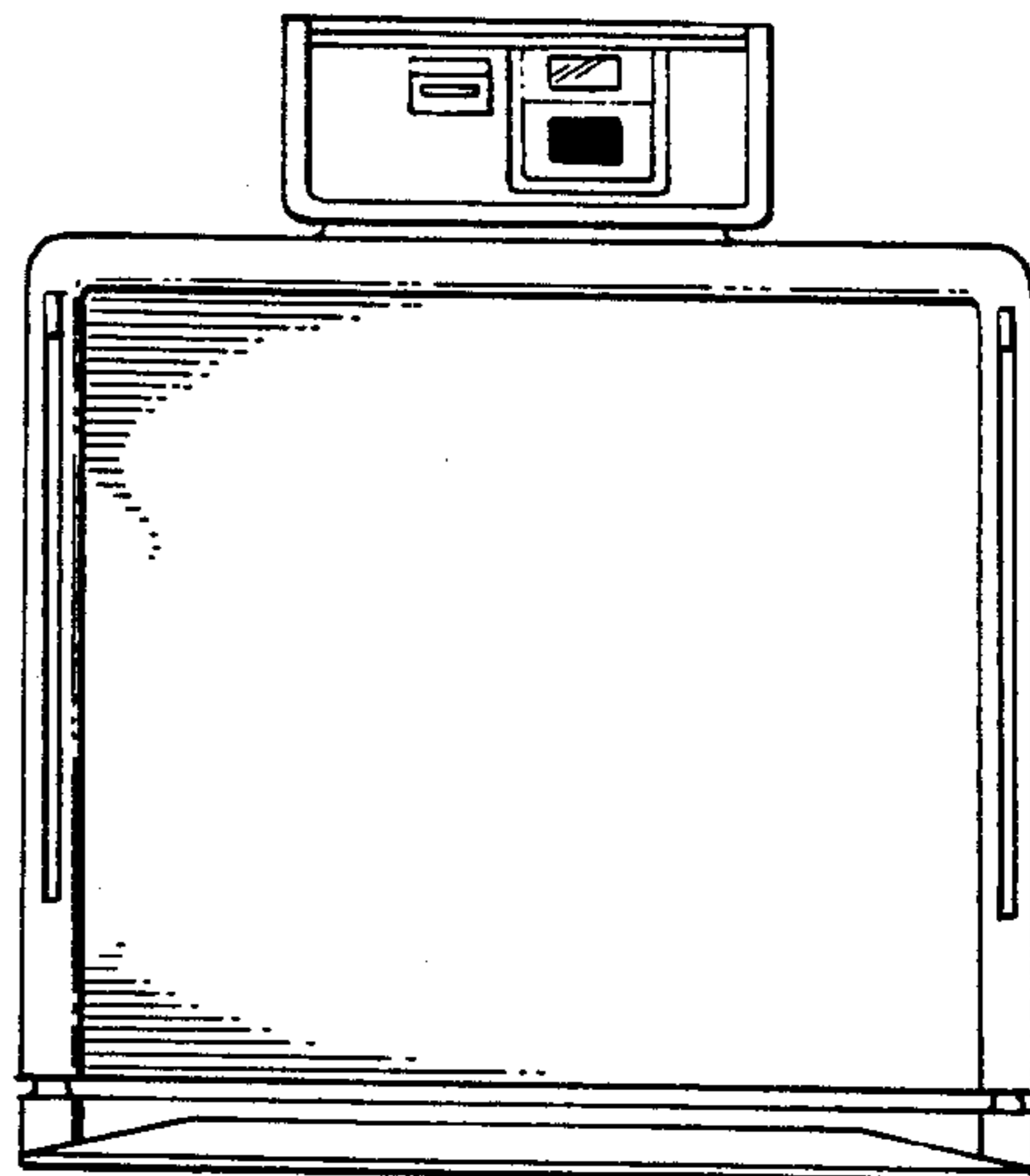


Fig. 3

UNITED STATES PATENT AND TRADEMARK OFFICE
CERTIFICATE OF CORRECTION

PATENT NO. : D 248,555
DATED : July 18, 1978
INVENTOR(S) : Luigi Di Benedetto

It is certified that error appears in the above-identified patent and that said Letters Patent are hereby corrected as shown below:

"The spelling of the name of the inventor should

Signed and Sealed this

Thirteenth Day of March 1979

[SEAL]

Attest:

RUTH C. MASON
Attesting Officer

DONALD W. BANNER
Commissioner of Patents and Trademarks

UNITED STATES PATENT AND TRADEMARK OFFICE
CERTIFICATE OF CORRECTION

PATENT NO. : Des. 248,555
DATED : July 18, 1978
INVENTOR(S) : Luigi Di Benedetto

It is certified that error appears in the above-identified patent and that said Letters Patent are hereby corrected as shown below:

"The spelling of the name of the inventor should be corrected to:

-- Luigi Di Benedetto --.

This certificate supersedes Certificate of Correction issued March 13, 1979.

Signed and Sealed this
Twenty-eighth Day of August 1979

[SEAL]

Attest:

Attesting Officer

LUTRELLE F. PARKER
Acting Commissioner of Patents and Trademarks