

[54] MINIATURE DICTATING MACHINE

[75] Inventors: Werner Schulze-Bahr, Kassel; Karl Weis, Bad Homburg, both of Fed. Rep. of Germany

[73] Assignee: Assmann G.m.b.H., Bad Homburg, Fed. Rep. of Germany

[**] Term: 14 Years

[21] Appl. No.: 732,811

[22] Filed: Oct. 15, 1976

[30] Foreign Application Priority Data

Apr. 15, 1976 [DE] Fed. Rep. of Germany ... 1 MR 501

[51] Int. Cl.² D14-01

[52] U.S. Cl. D14/3

[58] Field of Search D14/3, 8, 6; 274/17, 274/11 R, 11 E; 360/137, 95, 105; 179/100.41 R, 100.2 A, 100.11

[56] References Cited

U.S. PATENT DOCUMENTS

| | | | |
|------------|---------|----------------------|--------|
| D. 214,794 | 7/1969 | Yang | D14/3 |
| D. 224,322 | 7/1972 | Tupaj | D14/6 |
| D. 224,712 | 9/1972 | van der Poel | D14/3 |
| D. 231,472 | 4/1974 | Dietrich et al. | D14/3 |
| D. 240,361 | 6/1976 | van der Poel | D14/3 |
| 3,218,080 | 11/1965 | Best | 274/17 |

Primary Examiner—Bernard Ansher
Attorney, Agent, or Firm—Joseph M. Lane

[57] CLAIM

The ornamental design for a miniature dictating machine, as shown.

DESCRIPTION

FIG. 1 is a top front perspective view of a miniature dictating machine; showing my new design; and FIG. 2 is a bottom rear perspective thereof.

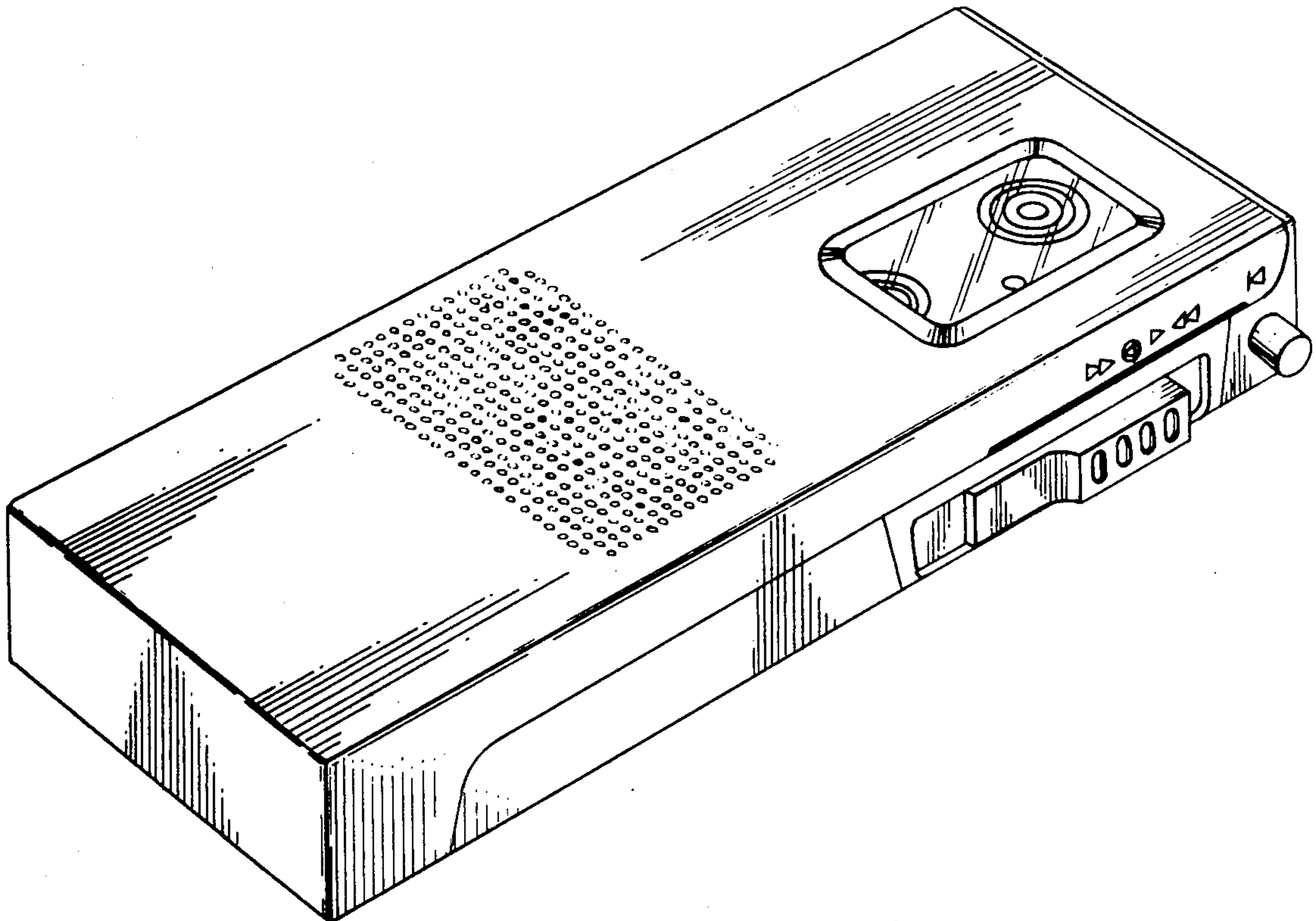


FIG. 1.

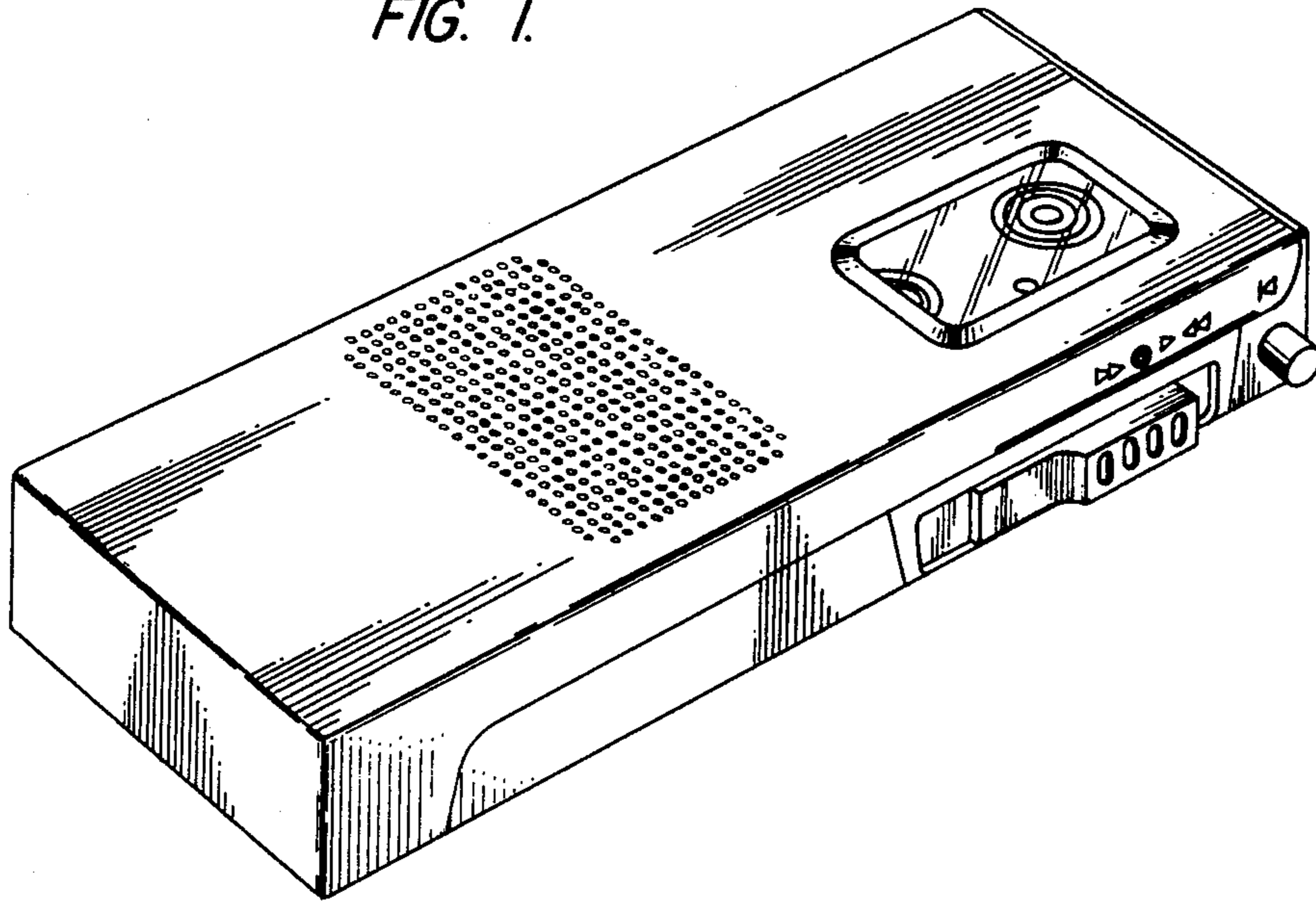


FIG. 2.

