

[54] MEDICAL INSTRUMENT BASKET APPARATUS

[76] Inventor: Vincent G. Lopez, 10717 Santa Clara, Lamont, Calif. 93241

[**] Term: 14 Years

[21] Appl. No.: 688,960

[22] Filed: May 24, 1976

[51] Int. Cl. D24—01; D12—02

[52] U.S. Cl. D12/29

[58] Field of Search 211/129, 131; D12/29, D12/27, 28; 108/94, 95, 92; D24/1.1; 280/47.19, 47.35

[56] References Cited

U.S. PATENT DOCUMENTS

| | | | |
|------------|---------|---------------------|-----------|
| D. 235,580 | 6/1975 | Miller | D12/27 |
| D. 242,535 | 11/1976 | Becker | D12/29 |
| 931,960 | 8/1909 | Robinson | 211/129 |
| 3,452,880 | 7/1969 | Kovacik et al. | 211/129 X |
| 3,464,564 | 9/1969 | MacNalley | 211/129 X |

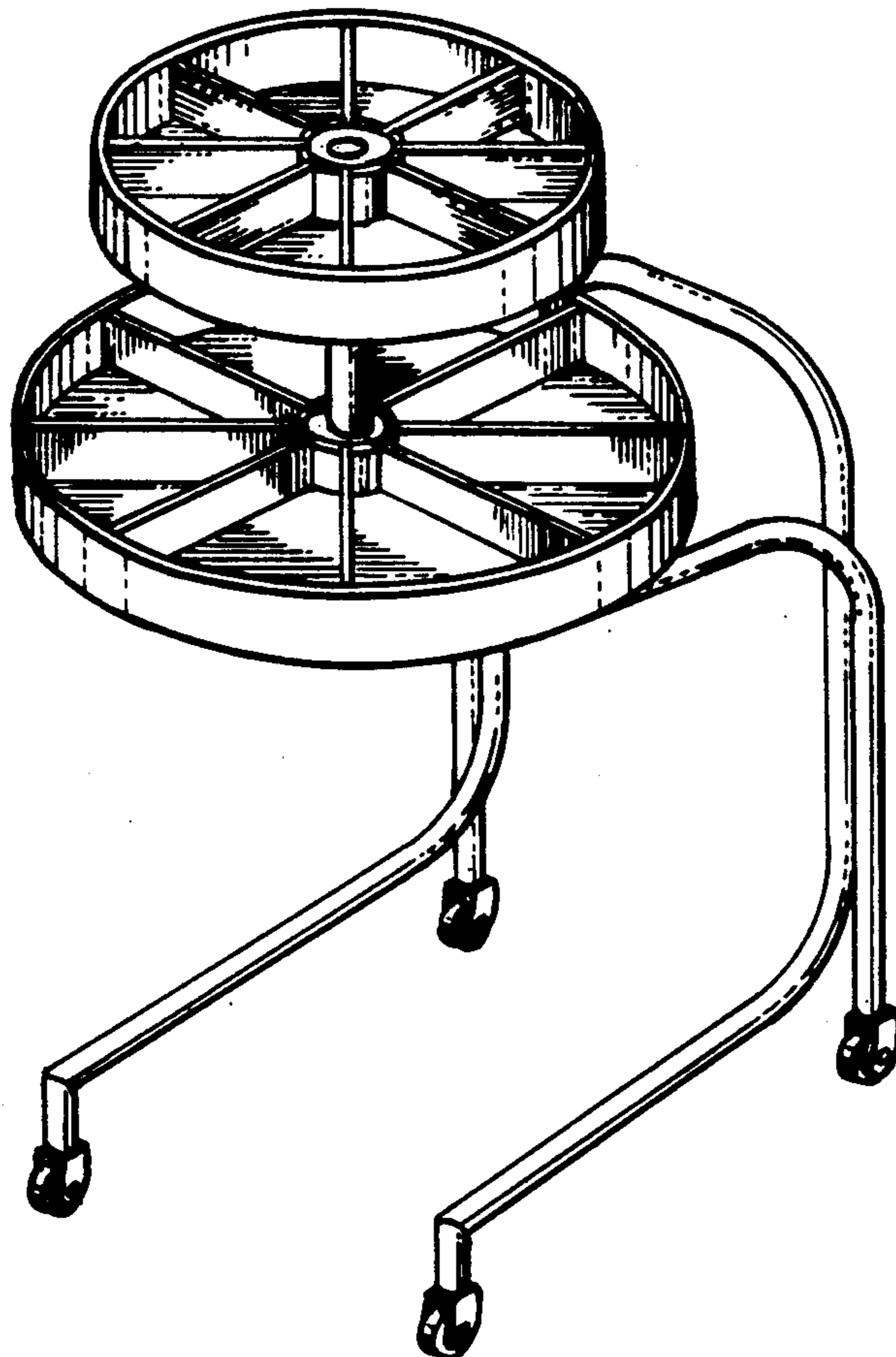
Primary Examiner—Bernard Ansher
Attorney, Agent, or Firm—Francis A. Utecht

[57] CLAIM

The ornamental design for a medical instrument basket apparatus, substantially as shown and described.

DESCRIPTION

FIG. 1 is a perspective view of a medical instrument basket apparatus showing my new design; FIG. 2 is a left side elevational thereof; FIG. 3 is a rear elevation view thereof; and FIG. 4 is a bottom plan view thereof.



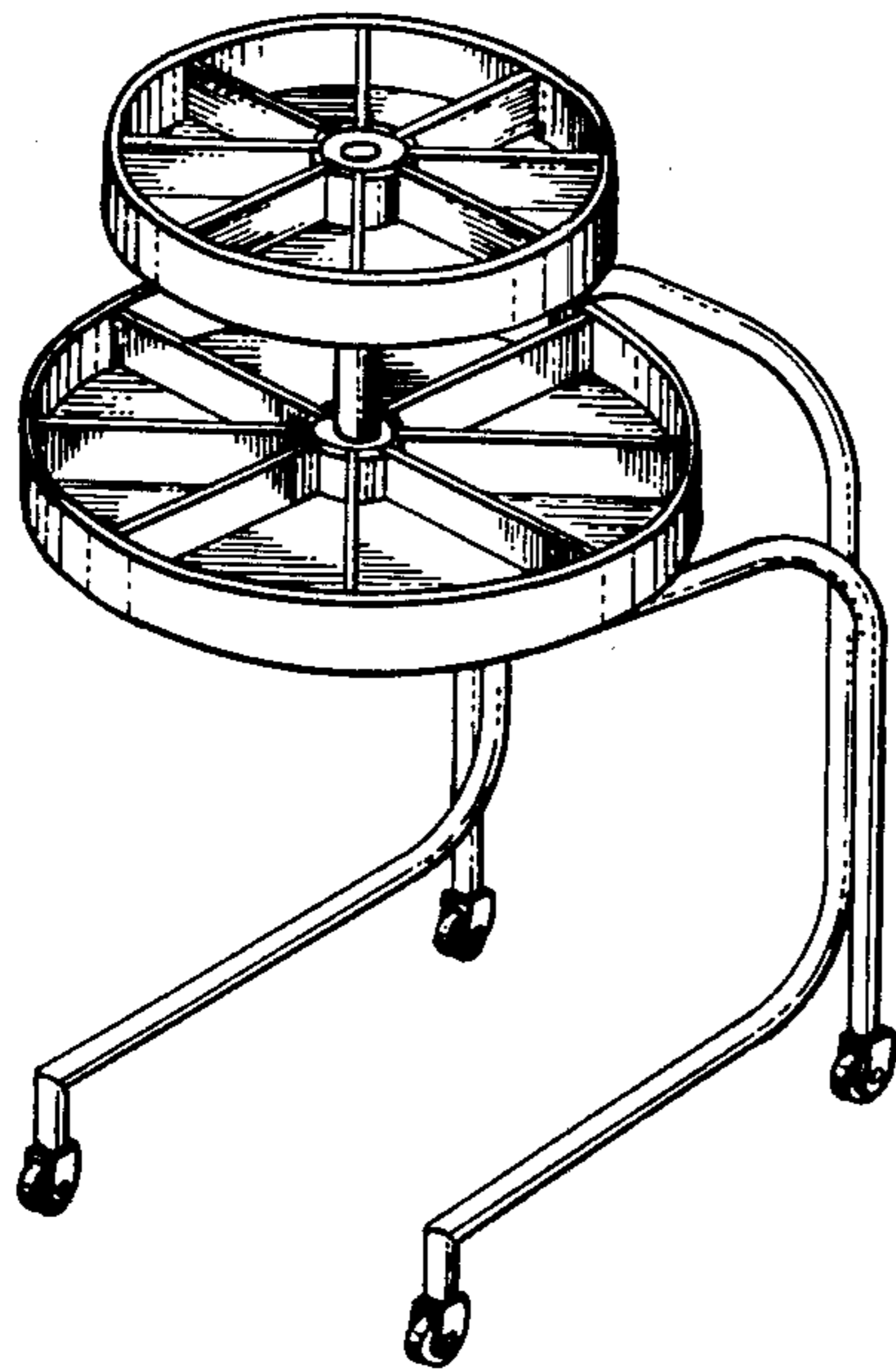


Fig. 1

Fig. 2

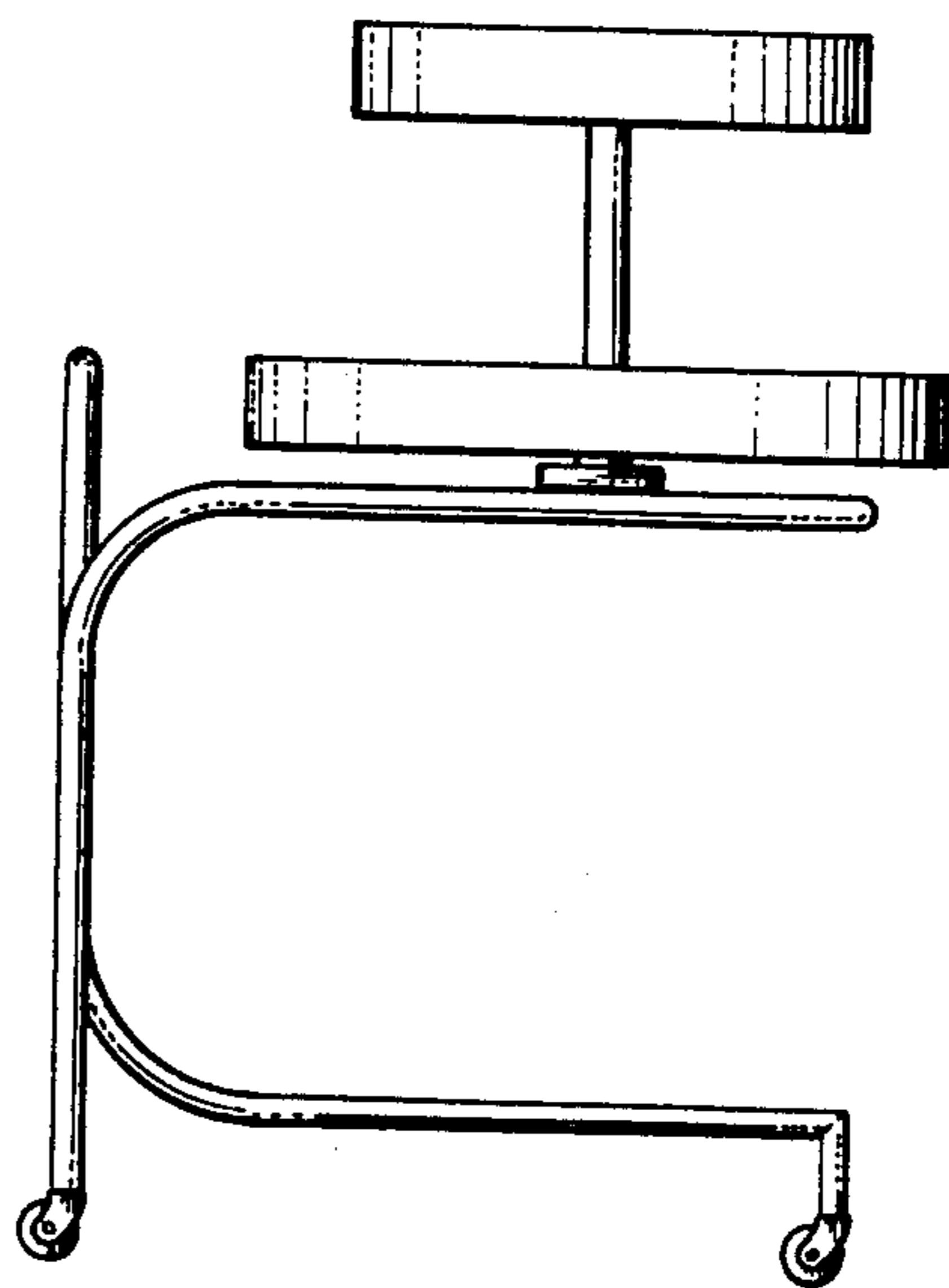


Fig. 3

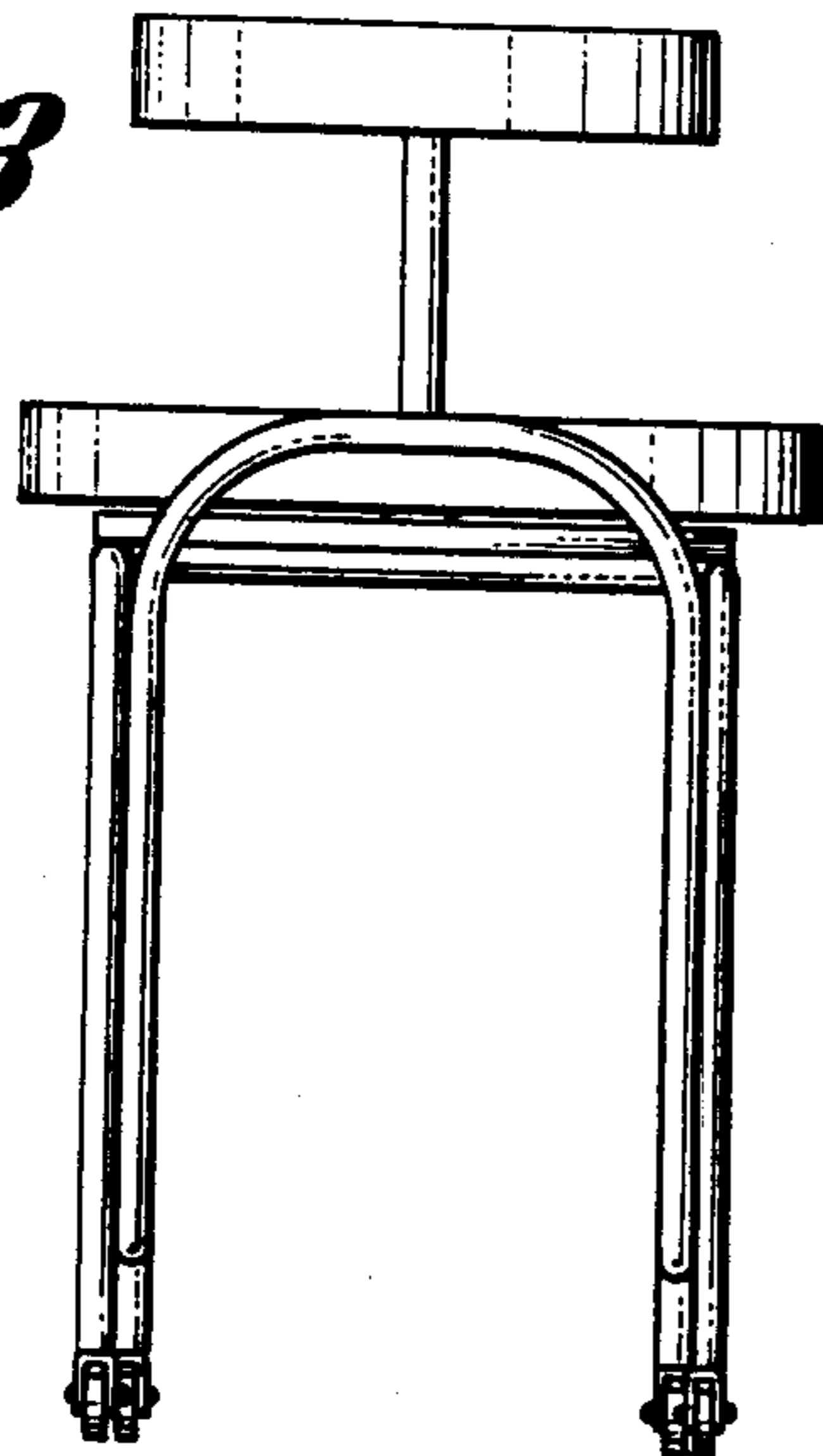


Fig. 4

