

[54] **SCREWDRIVER**

[75] **Inventor:** Lloyd T. Smith, Newton, Kans.

[73] **Assignee:** S/V Tool Company, Inc., Newton, Kans.

[**] **Term:** 14 Years

[21] **Appl. No.:** 757,048

[22] **Filed:** Jan. 5, 1977

[51] **Int. Cl.** D8-04

[52] **U.S. Cl.** D8/82

[58] **Field of Search** D8/82, 83, 85;
145/50 R, 61 C, 61 E, 70, 76

[56]

References Cited

U.S. PATENT DOCUMENTS

D. 103,676	3/1937	Fegley et al.	D8/82 X
D. 233,406	10/1974	Whiteford	D8/82
264,798	9/1882	Tyler	145/61 C
680,065	8/1901	Noble	145/61 E
2,815,837	12/1957	Morgan	145/76 X

Primary Examiner—Alan P. Douglas
Attorney, Agent, or Firm—Gordon D. Schmidt

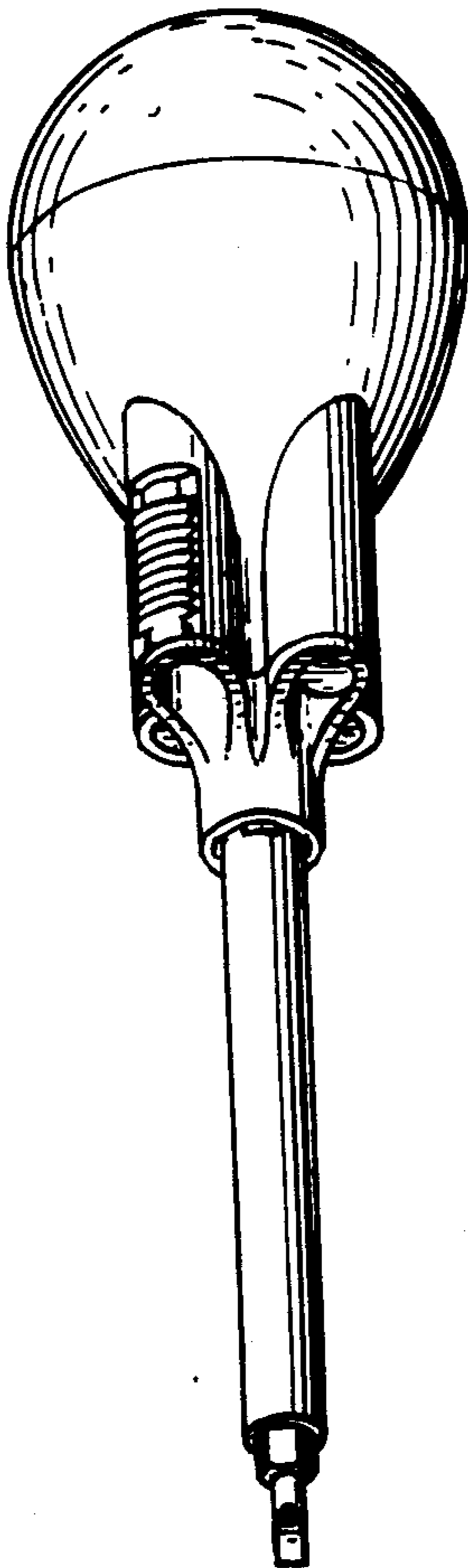
[57]

CLAIM

The ornamental design for a screwdriver, as shown.

DESCRIPTION

FIG. 1 is a view showing one end of the screwdriver; FIG. 2 is a perspective view thereof; FIG. 3 is a side elevational view thereof; and FIG. 4 is an elevational view showing the opposite end of the screwdriver.



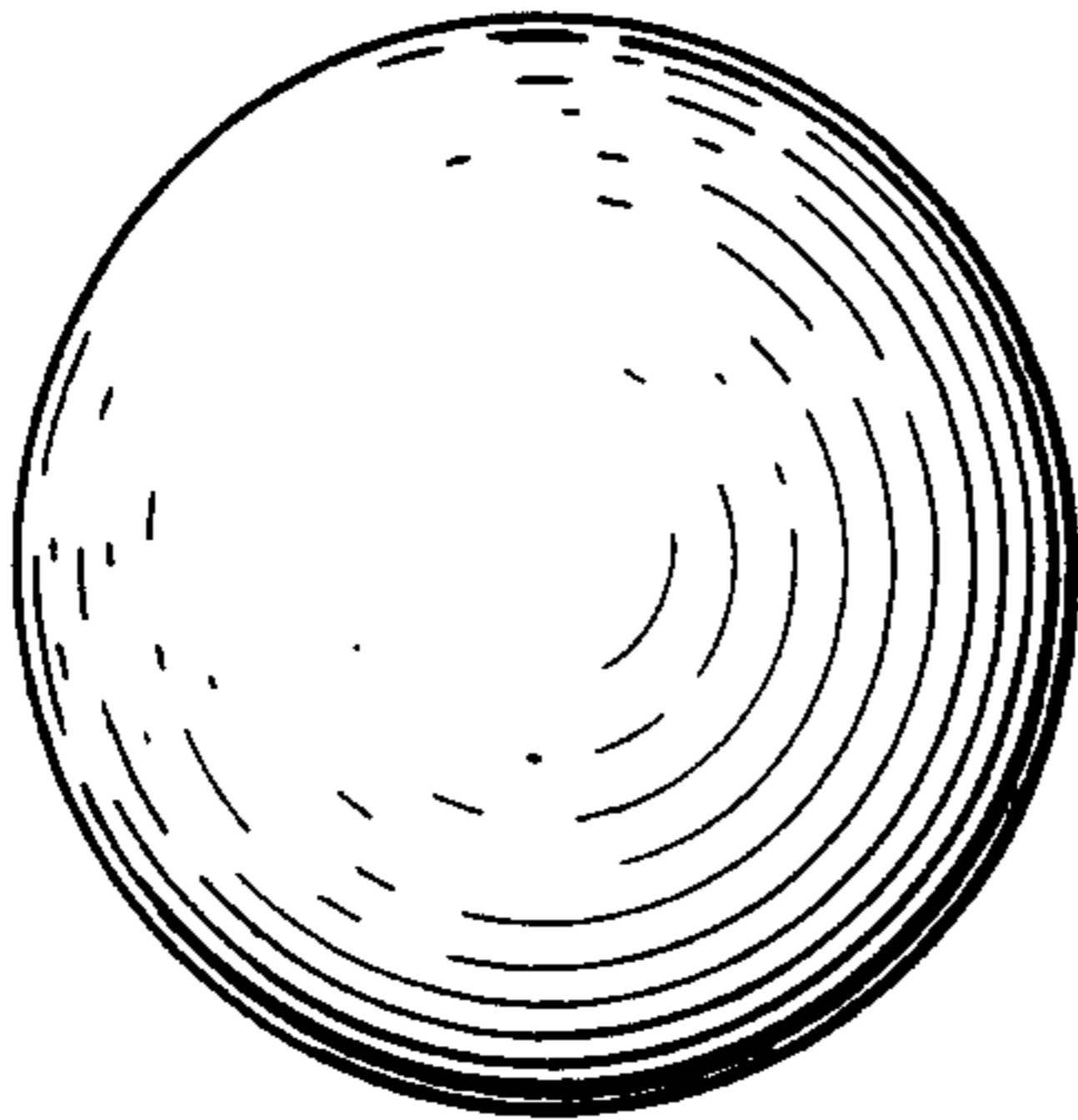


Fig. 1.

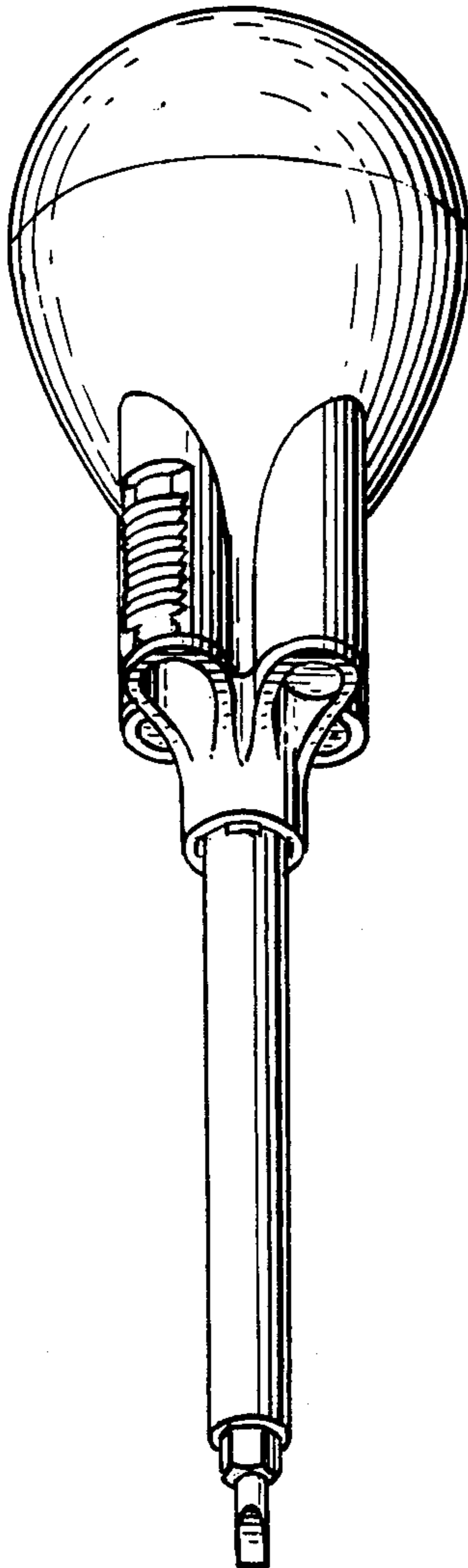


Fig. 2.

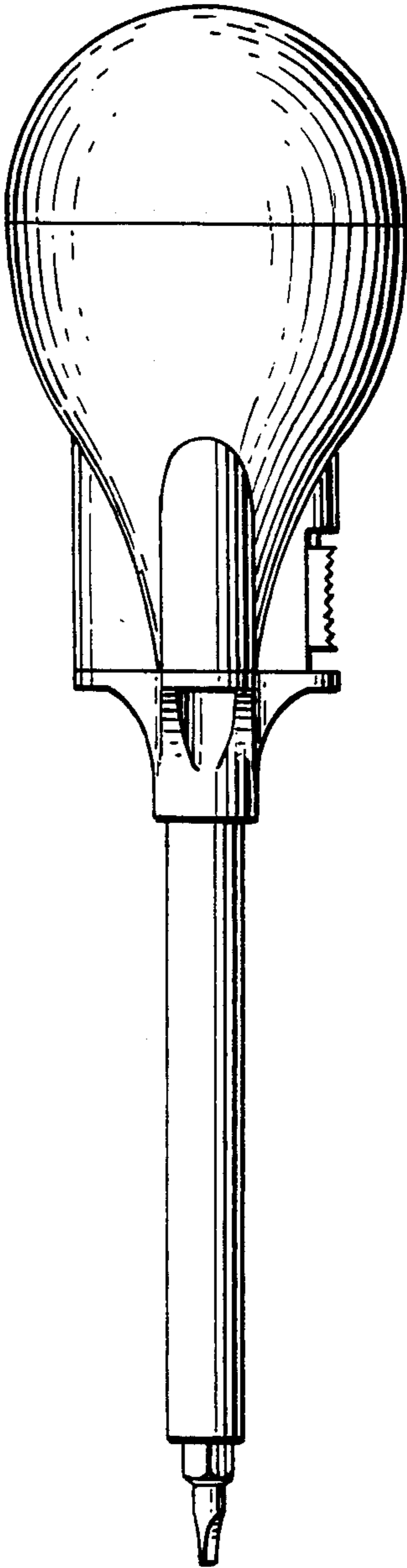


Fig. 3.

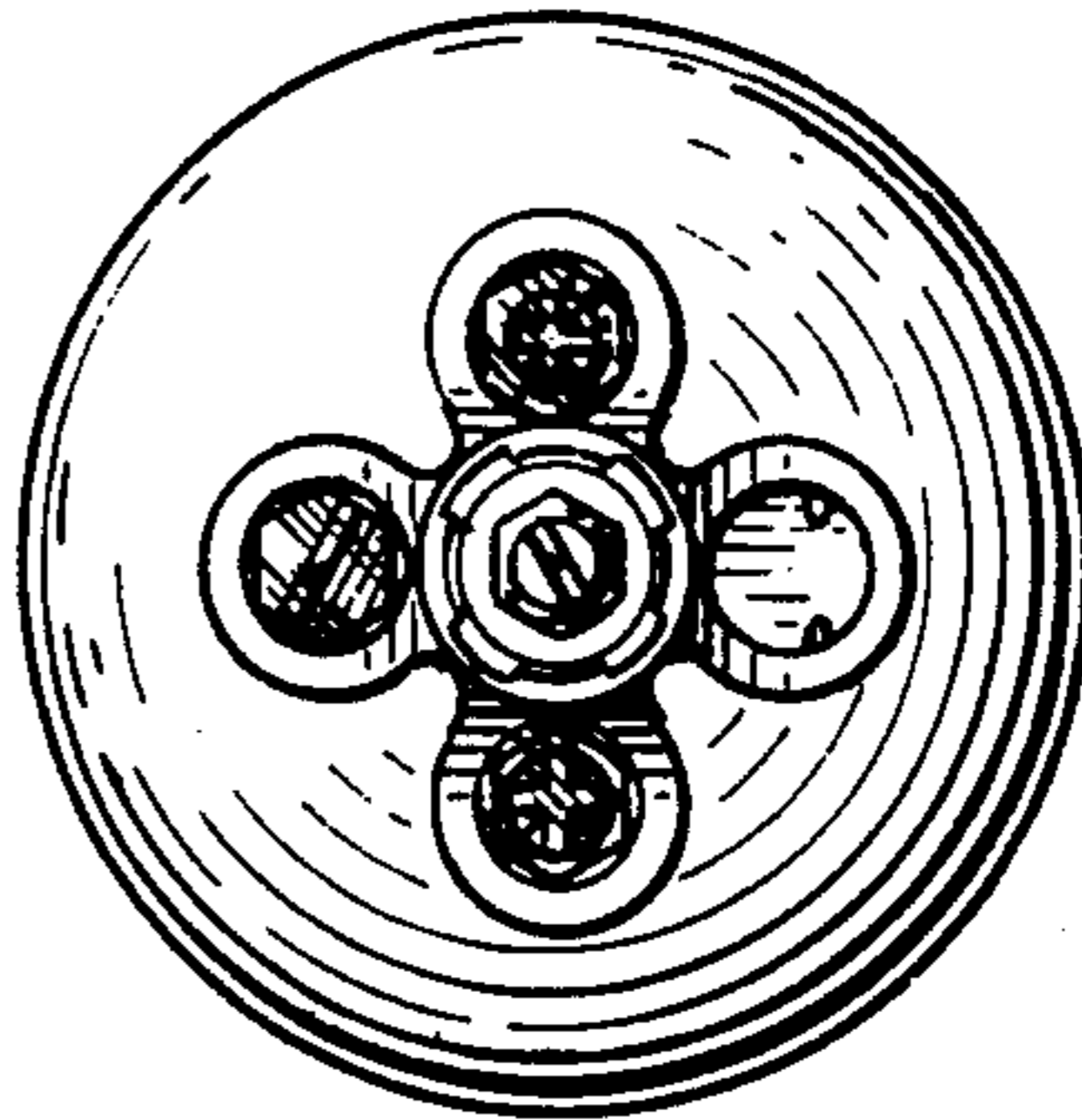


Fig. 4.