

[54] PORTABLE READING TABLE FOR BOOKS

[76] Inventor: Morton I. Goldstein, 5671 Saranac Dr., Columbus, Ohio 43227

[**] Term: 14 Years

[21] Appl. No.: 712,891

[22] Filed: Aug. 5, 1976

[51] Int. Cl. D6-99

[52] U.S. Cl. D6/184

[58] Field of Search D6/85, 184; 248/441, 248/459, 460, 463, 465; D19/91

[56] References Cited

U.S. PATENT DOCUMENTS

D. 238,916	2/1976	Cummins	D6/85
D. 244,332	5/1977	Sullivan	D6/85
D. 244,658	6/1977	Turner	D6/85 X
2,576,272	11/1951	Adelman	D6/85 X
3,814,293	6/1974	Daves	D6/85 X

Primary Examiner—Bruce W. Dunkins
Attorney, Agent, or Firm—Eugene J. Mahoney

[57] CLAIM

The ornamental design for a portable reading table for books, substantially as shown and described.

DESCRIPTION

FIG. 1 is a front perspective view of a portable reading table for books showing my new design with the three elements forming the base relatively disposed in one selected arrangement.

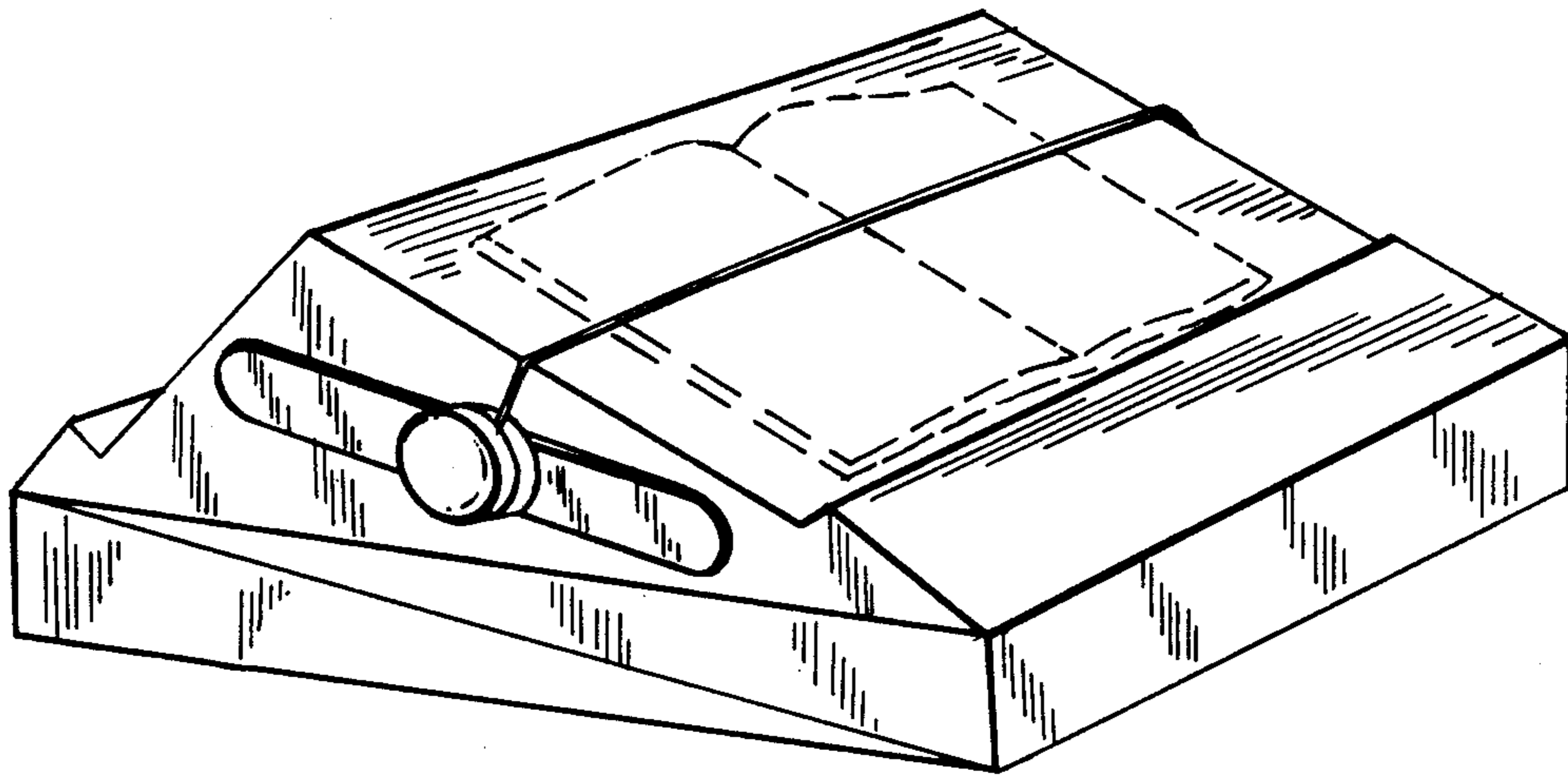
FIG. 2 is a top plan view thereof as seen in FIG. 1, but on a reduced scale.

FIG. 3 is a side elevational view thereof as seen in FIG. 1 and on substantially the same scale.

FIG. 4 is an exploded view thereof to more clearly illustrate the wedge supports.

FIG. 5 is a rear perspective view of the portable reading table for books showing my new design but without the lower two elements of the base.

The books shown by means of broken lines in FIGS. 1 and 5 are for illustrative purposes only.



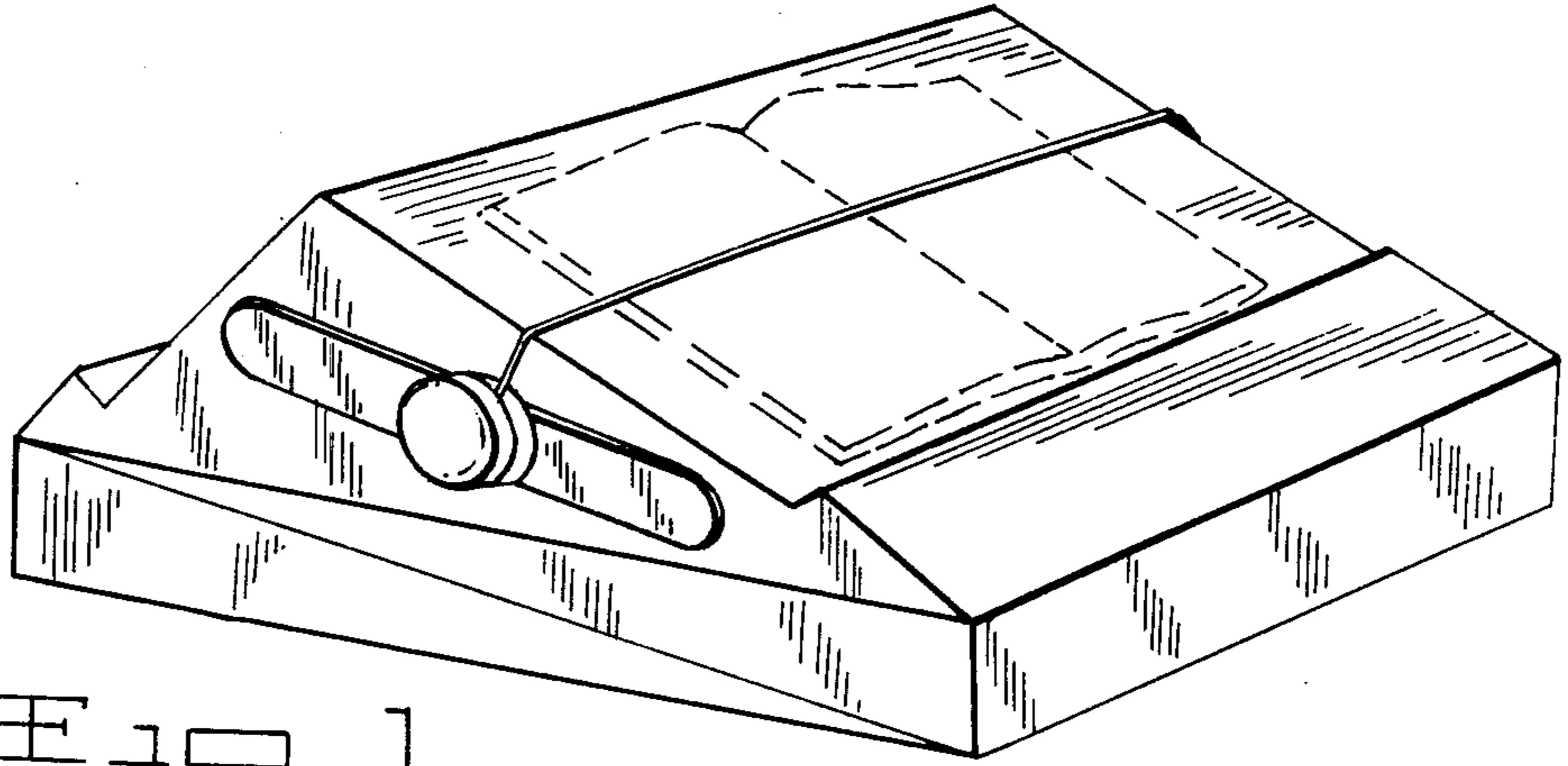


Fig 1

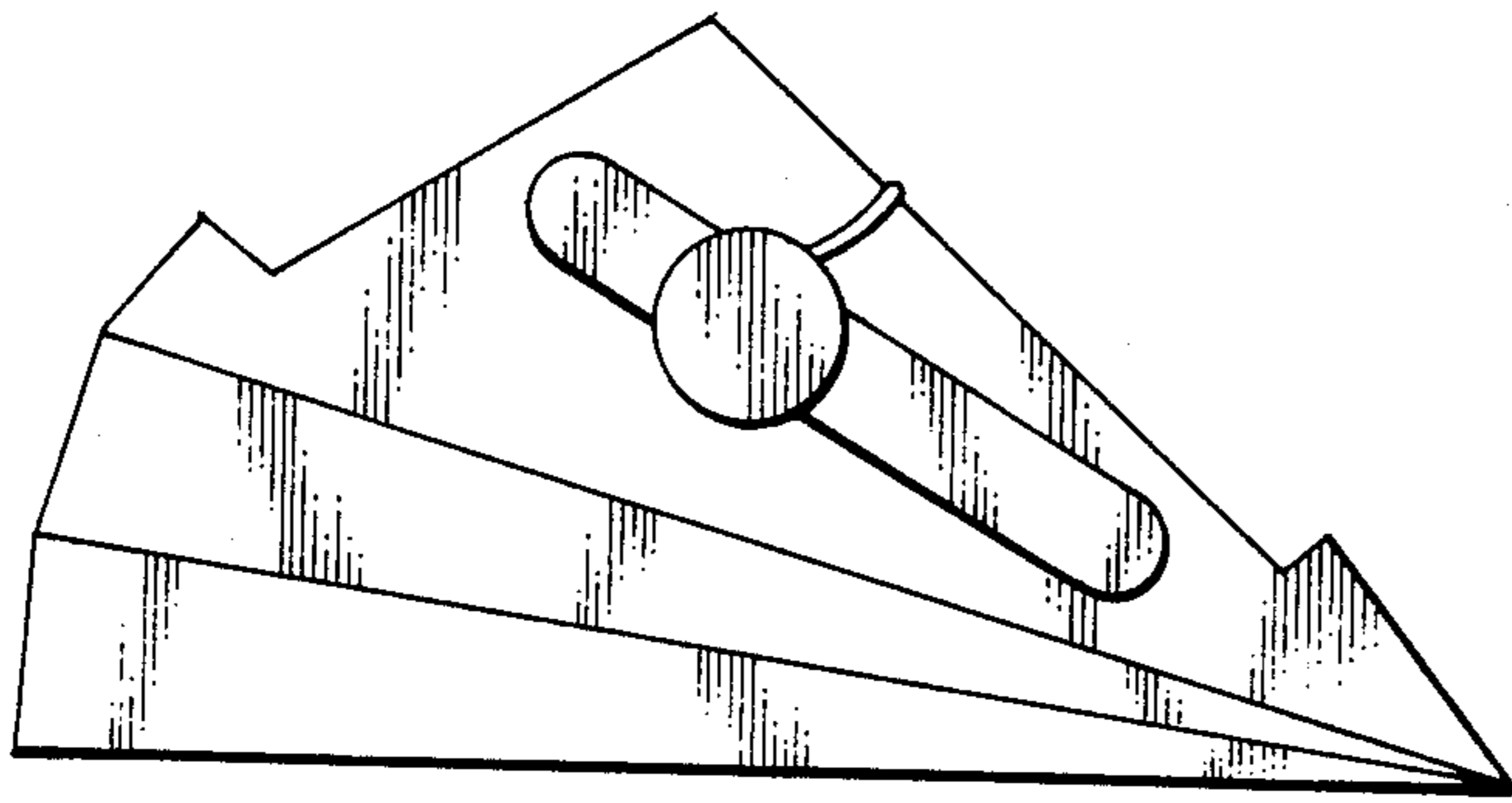


Fig 3

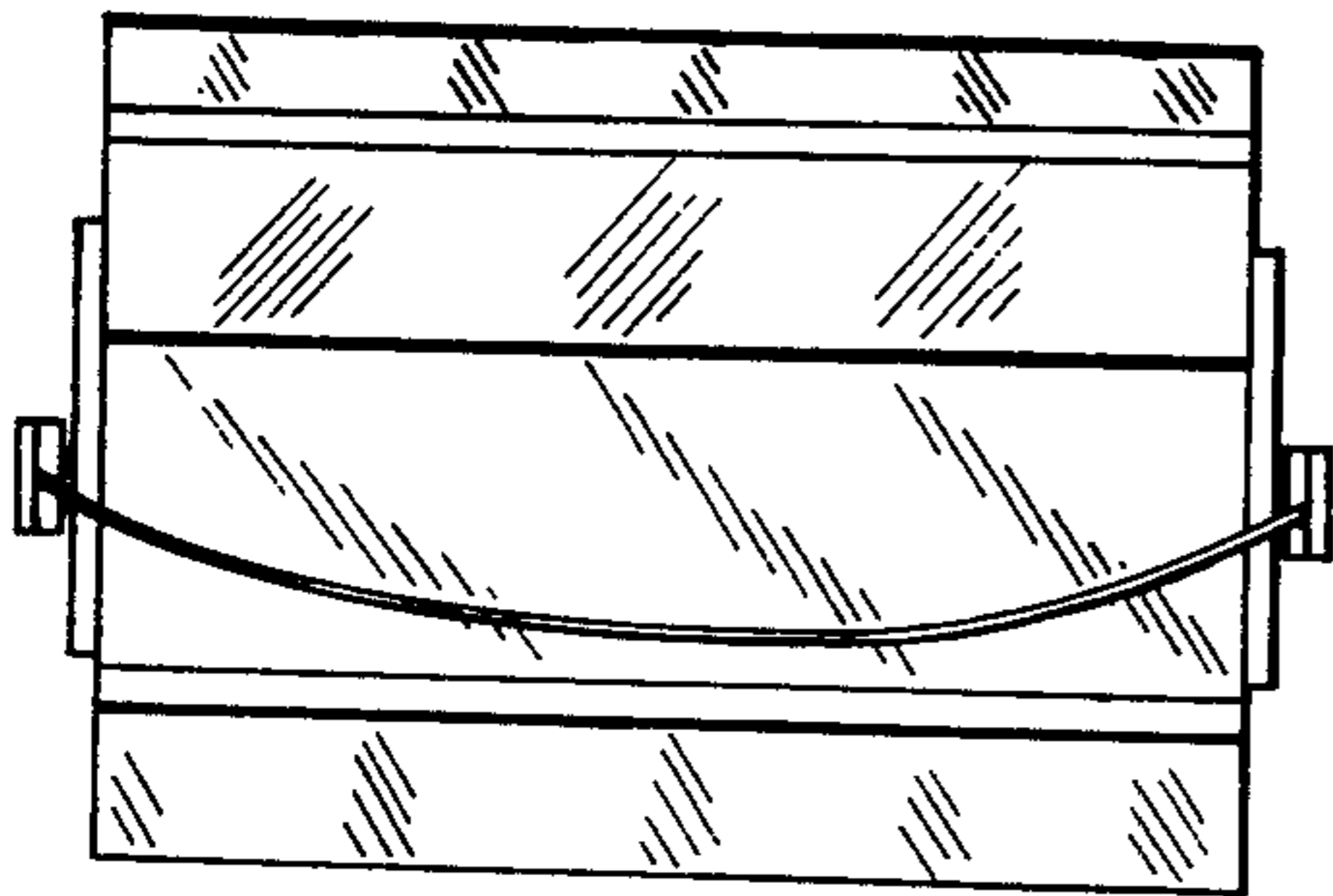


Fig 2

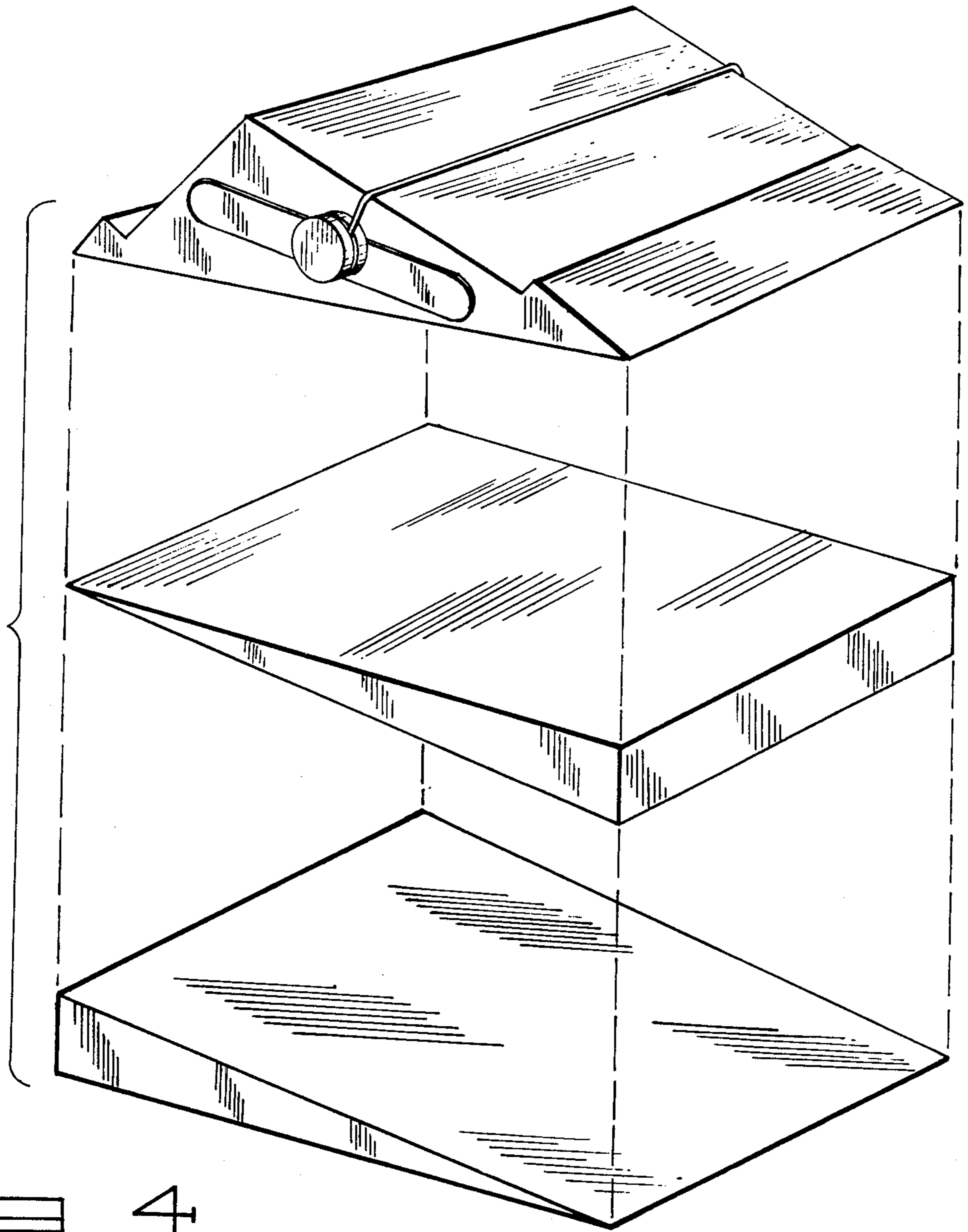


Fig 4

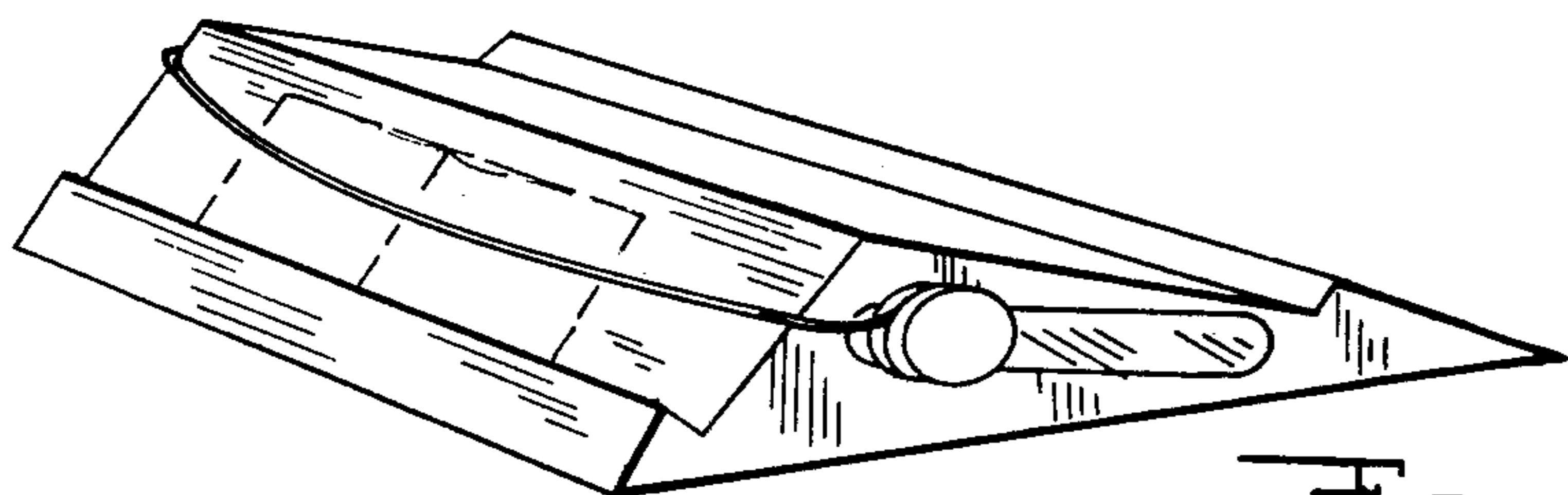


Fig 5