

[54] CHAIR

[76] Inventor: Charles Richard Corda, 2310 National Dr., Brooklyn, N.Y. 11234

[\*\*] Term: 14 Years

[21] Appl. No.: 737,831

[22] Filed: Nov. 1, 1976

[51] Int. Cl. .... D6-01

[52] U.S. Cl. .... D6/72; D6/73

[58] Field of Search ..... D6/26, 37-39, D6/47-78

[56] References Cited

U.S. PATENT DOCUMENTS

D. 246,210 11/1977 Amey ..... D6/63

OTHER PUBLICATIONS

Interiors, 6-1974, p. 132, chair by Cosco.  
Interiors, 3-1974, p. 46, chair lower left.  
Harter Catalog, Rec'd. May 14, 1973, Section 2, Arm-chair No. KOE-10.  
Selig Import Cat., Rec'd. 3-23-1973, p. D17A-17, Chair No. 639-15.

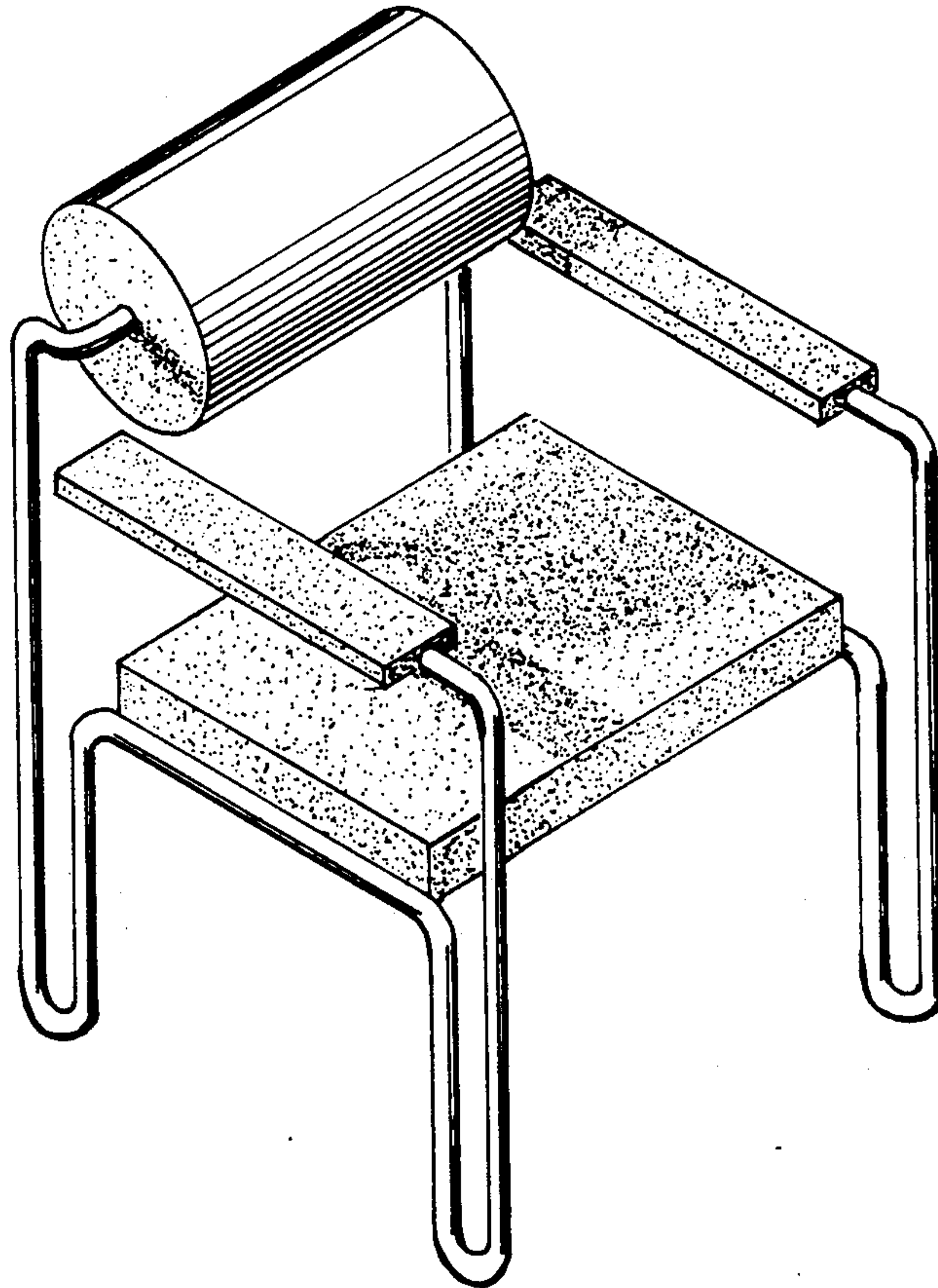
Primary Examiner—Bruce W. Dunkins

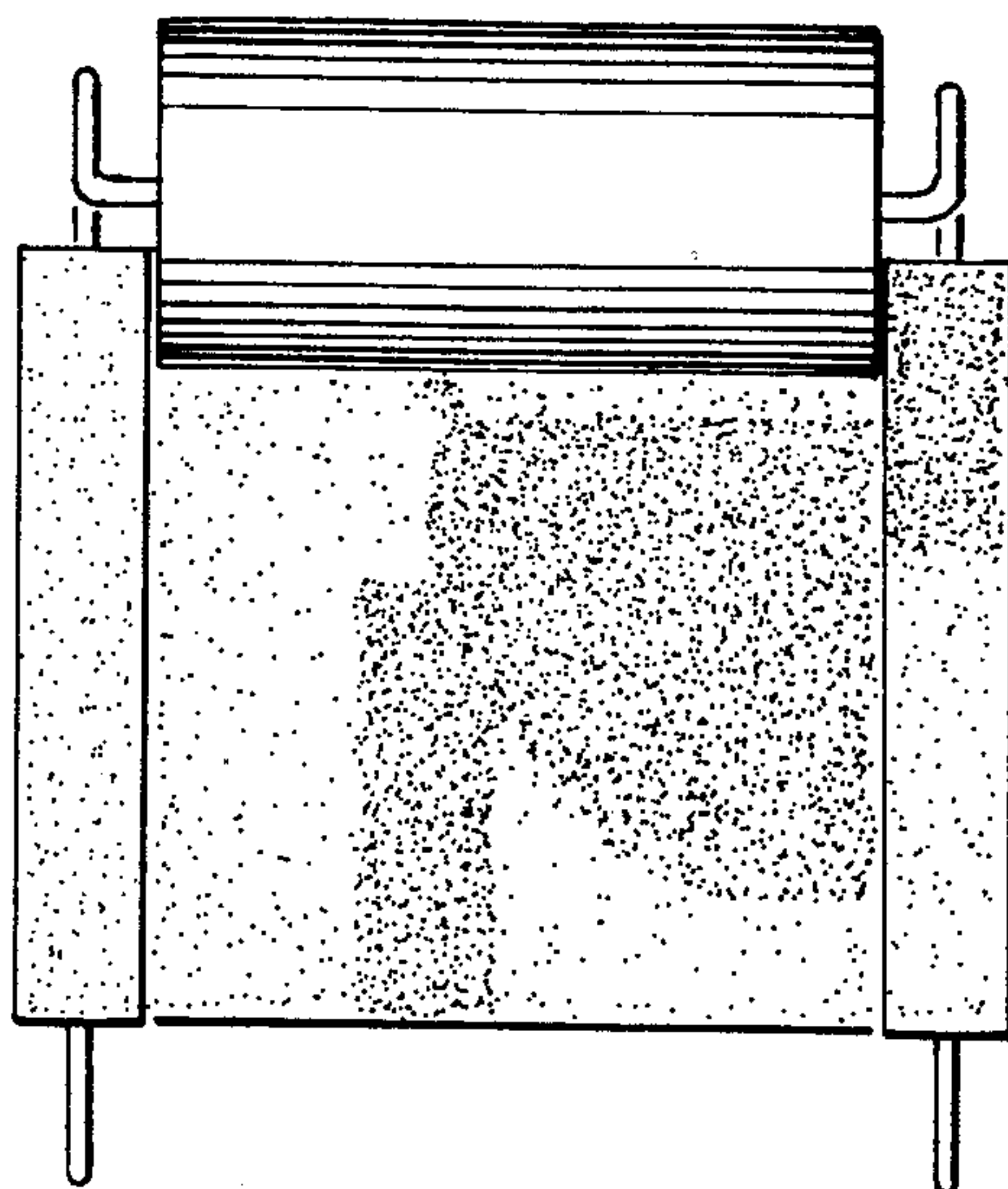
[57] CLAIM

The ornamental design for a chair, as substantially shown and described.

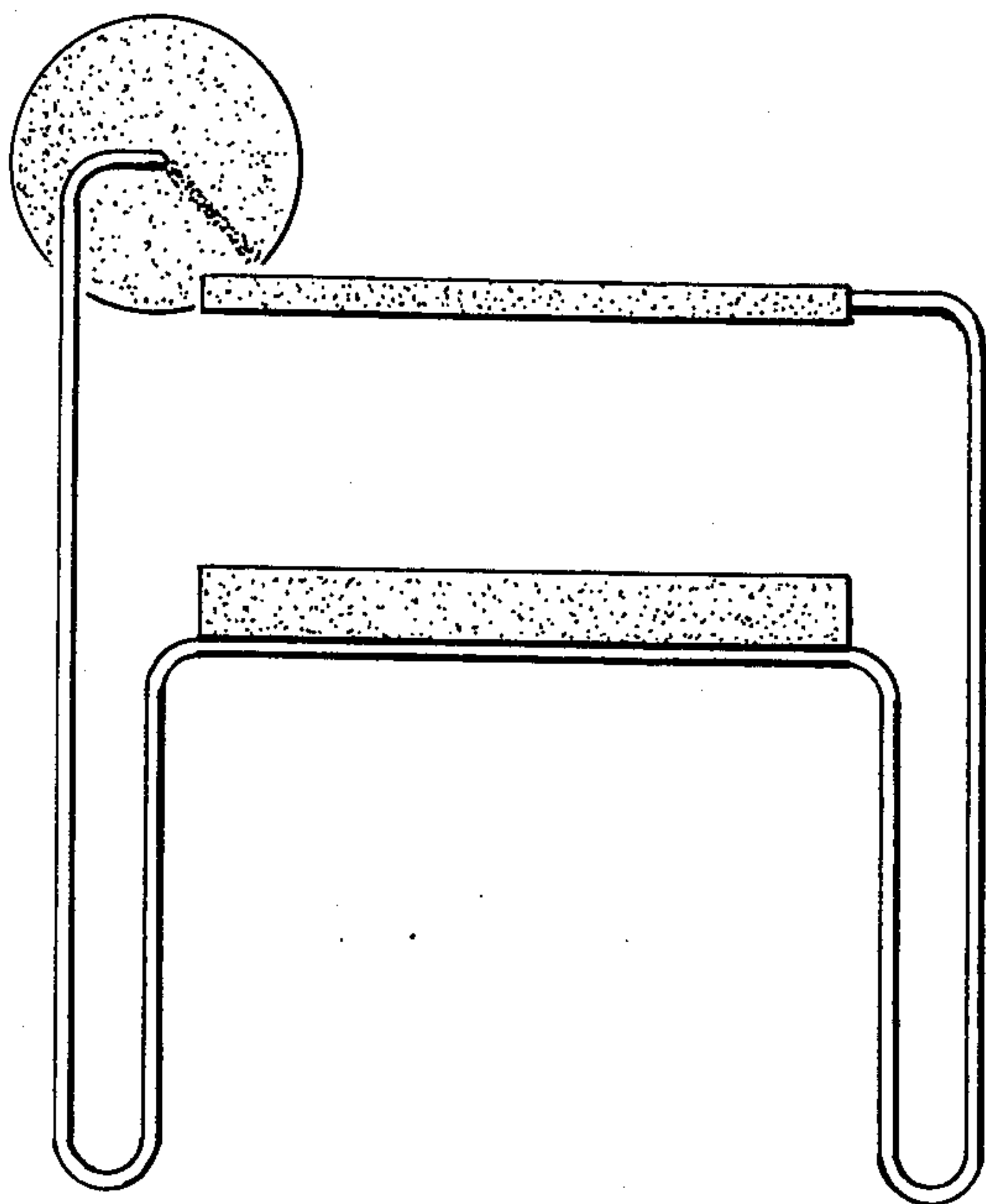
DESCRIPTION

FIG. 1 is a plan view of a chair showing my new design.  
FIG. 2 is a side elevation thereof.  
FIG. 3 is a front elevation thereof.  
FIG. 4 is a isometric view thereof.  
The side of the chair not shown is a mirror image of the side, while the undisclosed surface areas of the backrest bolster are plain and unornamented.

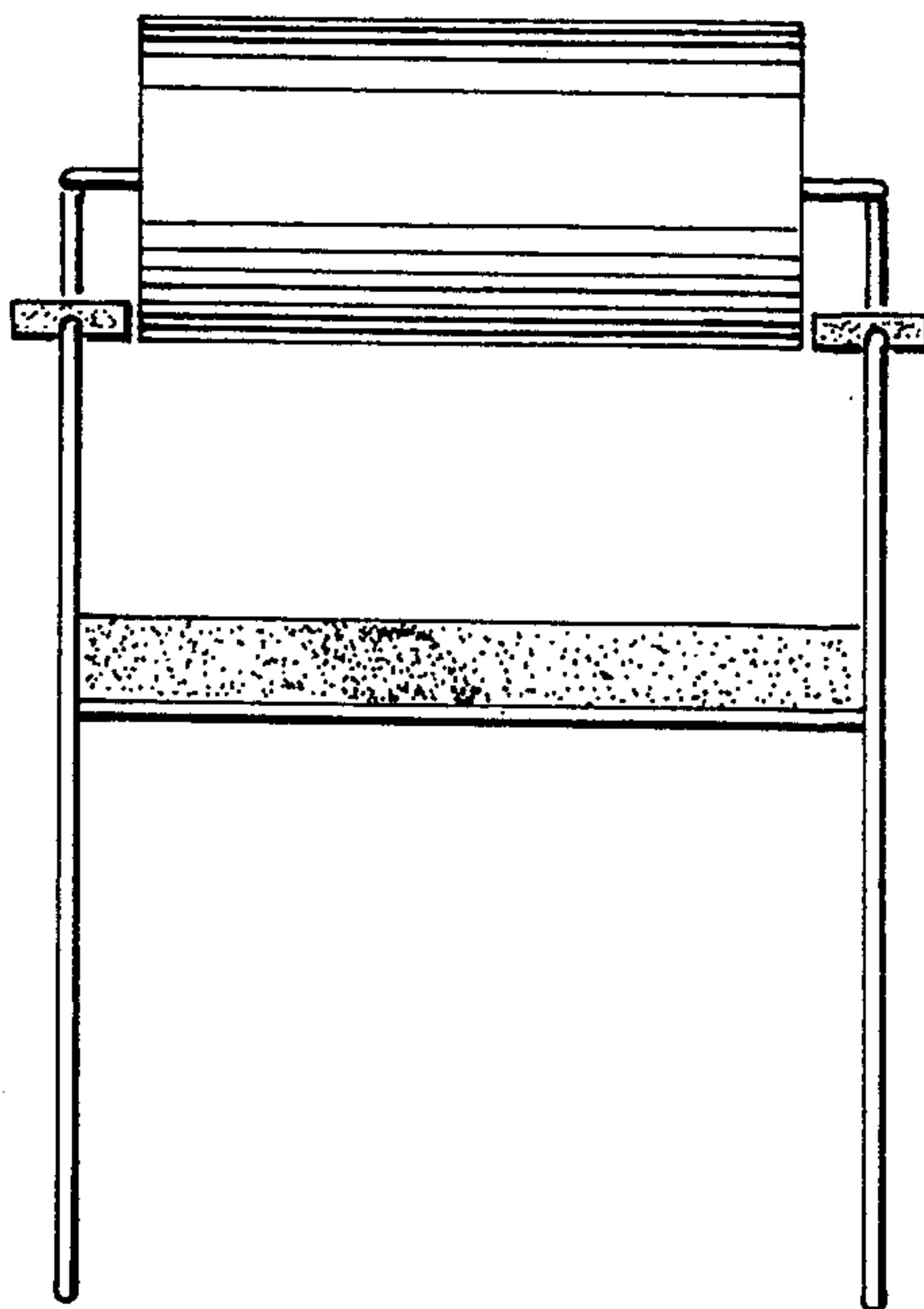




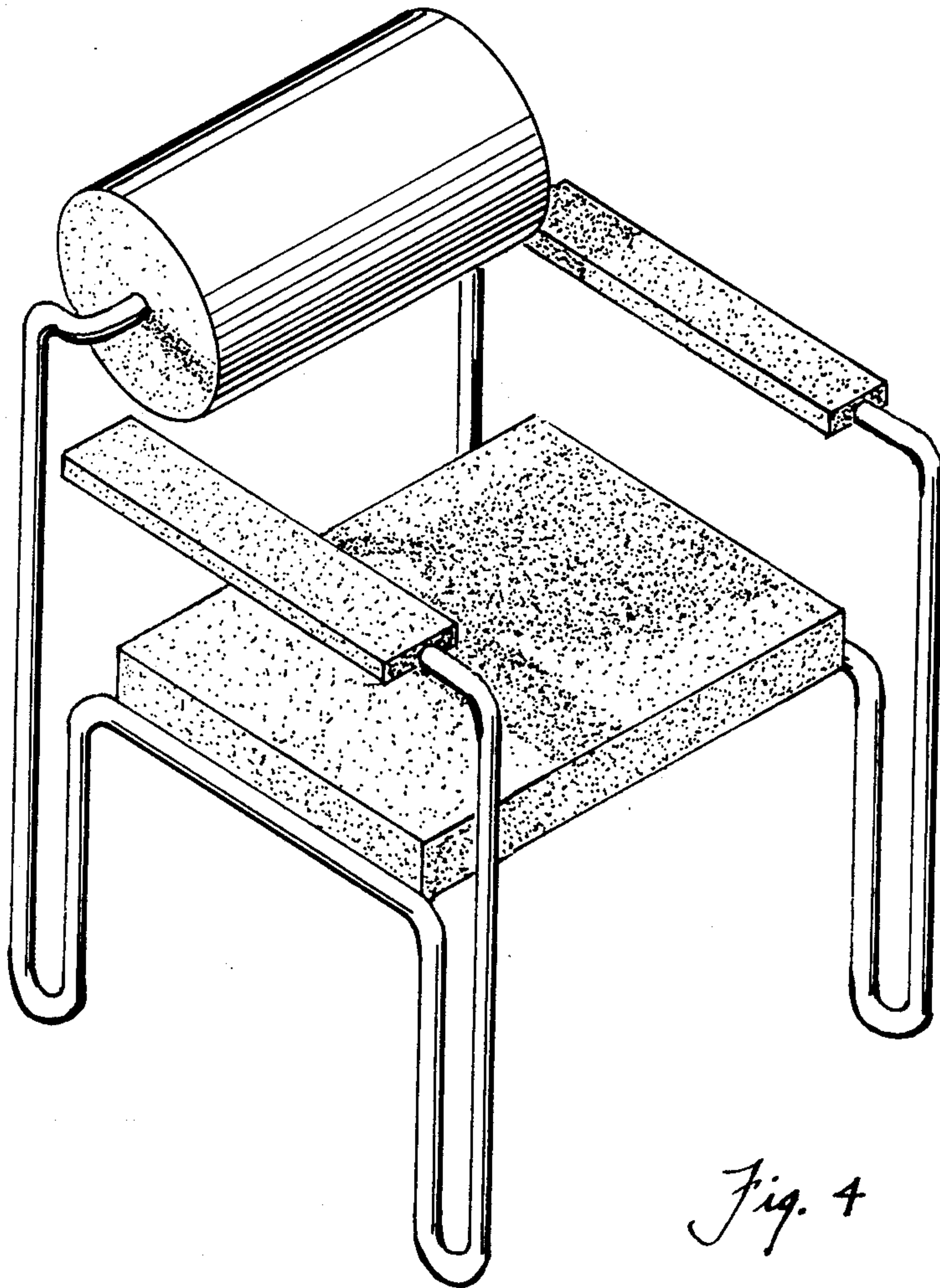
*Fig. 1*



*Fig. 2*



*Fig. 3*



*Fig. 4*