

[54] COMBINED CARRYING AND STORAGE CASE FOR A CHAINSAW

[75] Inventor: Donald A. Malcolm, Roanoke Rapids, N.C.

[73] Assignee: W. R. Grace & Co., Duncan, S.C.

[**] Term: 14 Years

[21] Appl. No.: 747,290

[22] Filed: Dec. 3, 1976

[51] Int. Cl. D3-02

[52] U.S. Cl. D87/1 R

[58] Field of Search D87/1 R; D8/65; D15/133, 134; 150/52 R; 206/576; D9/193, 195, 229

[56] References Cited

U.S. PATENT DOCUMENTS

D. 222,902 2/1972 Condon et al. D8/65
2,788,889 4/1957 Turnbow 206/576

OTHER PUBLICATIONS

McCulloch Chainsaw Cat., 1973, p. 5, carrying case.
McCulloch Flyer, Adv 190300, © 1975, carrying case, p. 2.

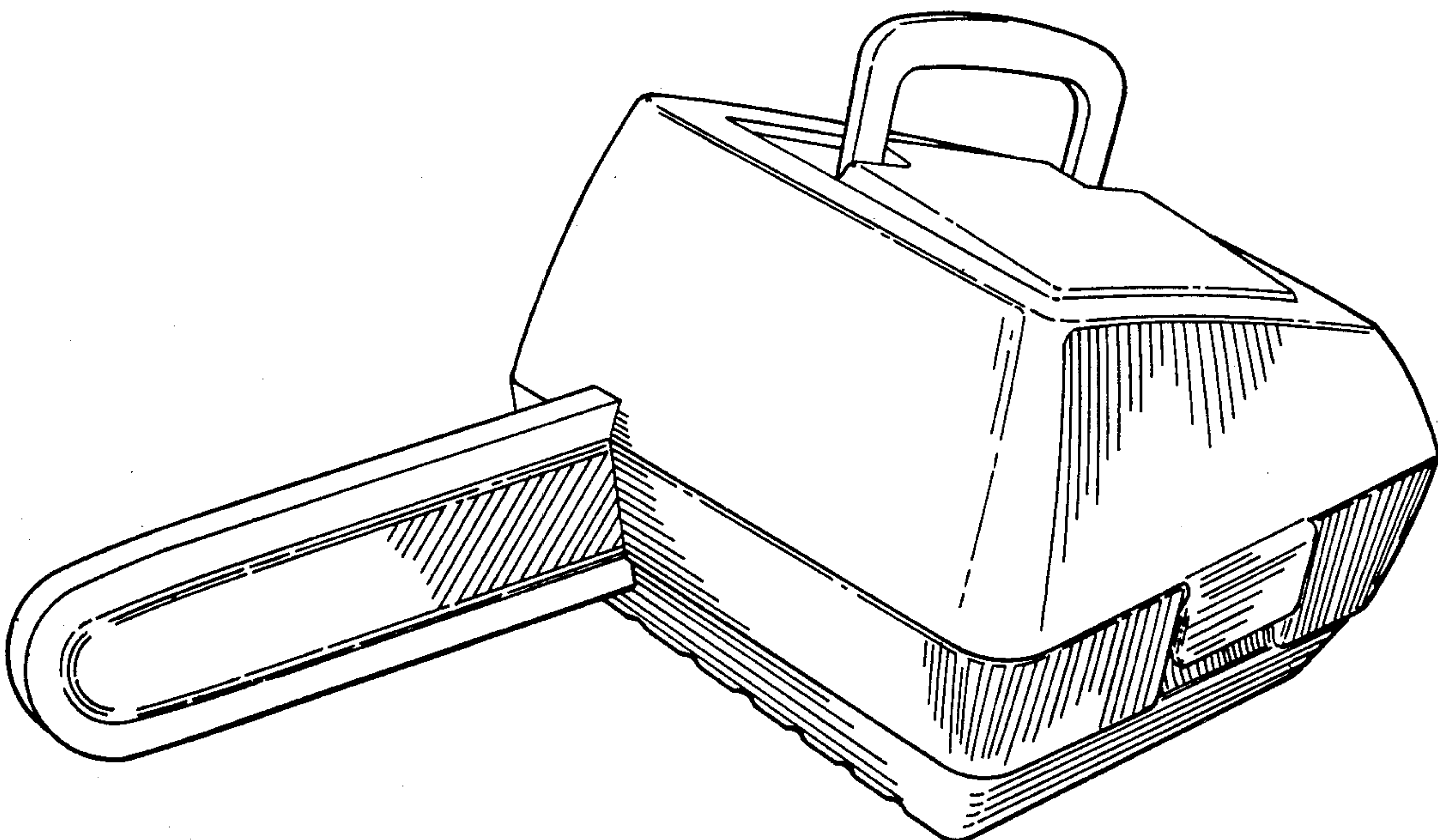
Primary Examiner—Joel Stearman
Assistant Examiner—George P. Word
Attorney, Agent, or Firm—John J. Toney

[57] CLAIM

The ornamental design for a combined carrying and storage case for a chainsaw, as shown and described.

DESCRIPTION

FIG. 1 is a perspective view of a combined carrying and storage case for a chainsaw showing my new design; FIG. 2 is a front elevational view; FIG. 3 is a rear elevational view with the carrying handle in a folded position; FIG. 4 is a top plan view thereof; FIG. 5 is a bottom plan view thereof; FIG. 6 is a right side elevational view thereof; and FIG. 7 is a left side elevational view thereof.



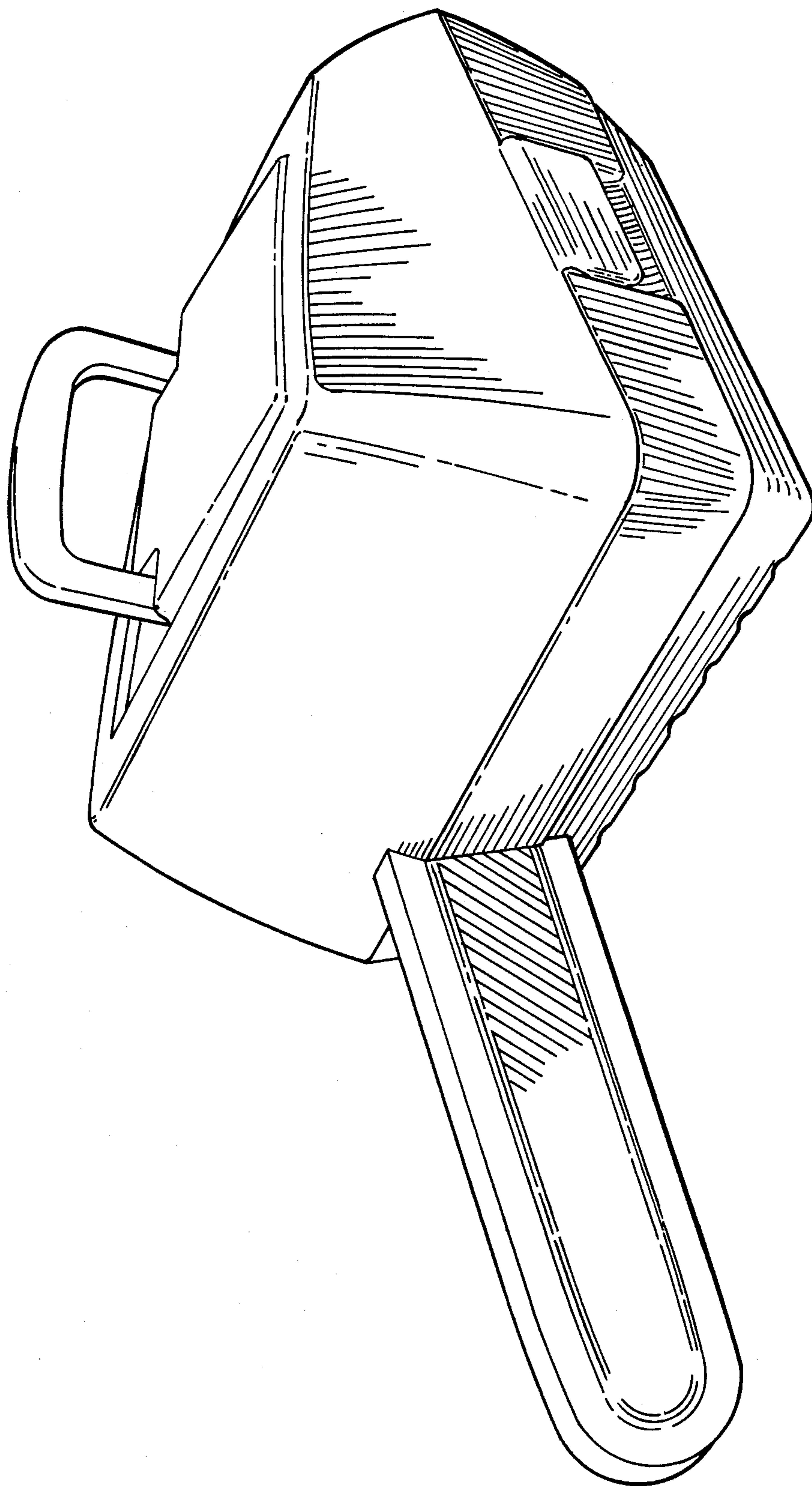


FIG. 1

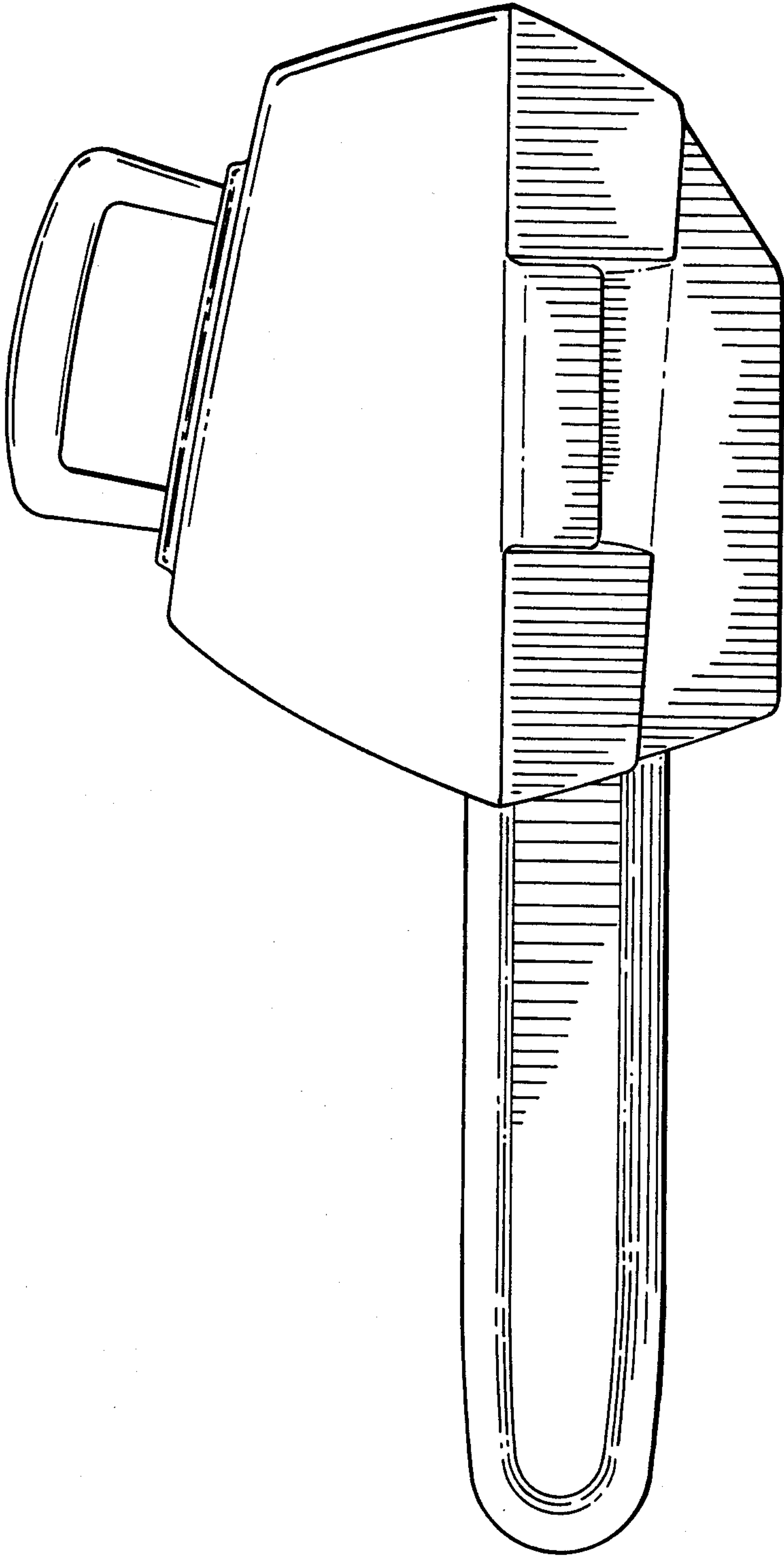


FIG. 2

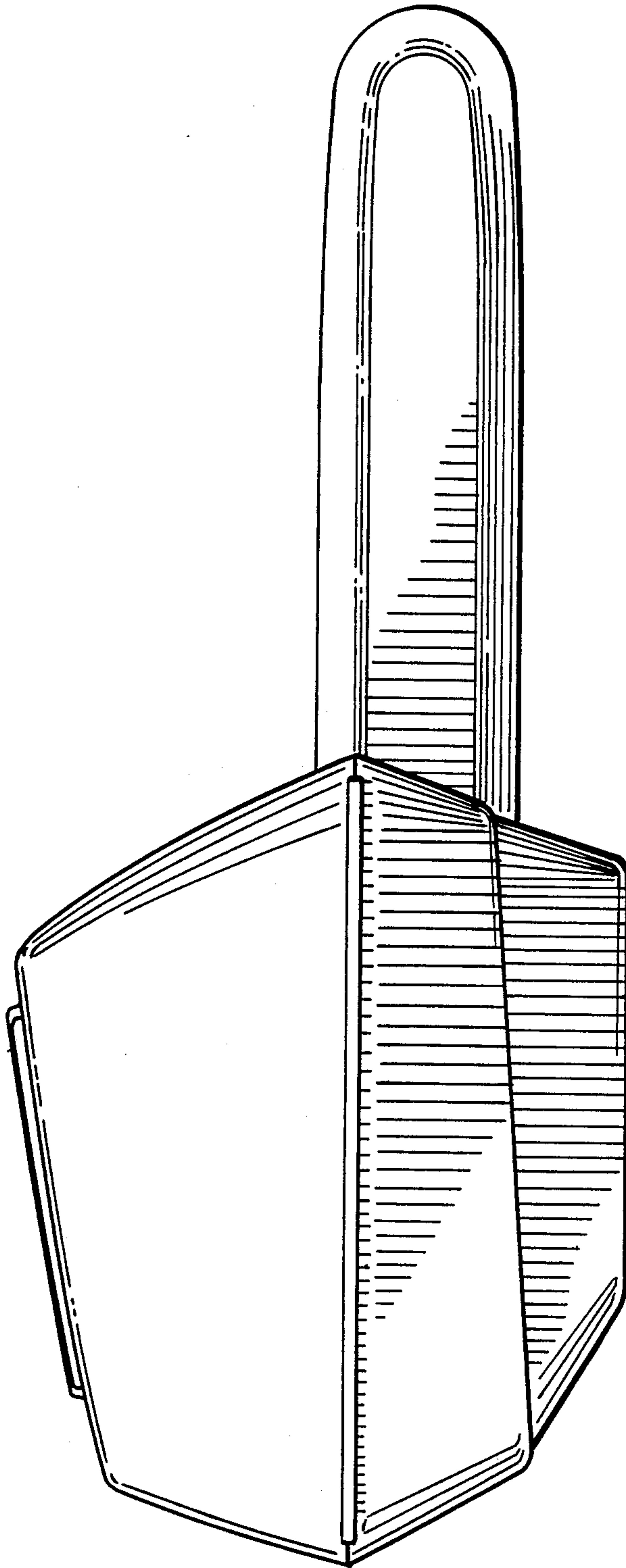


FIG. 3

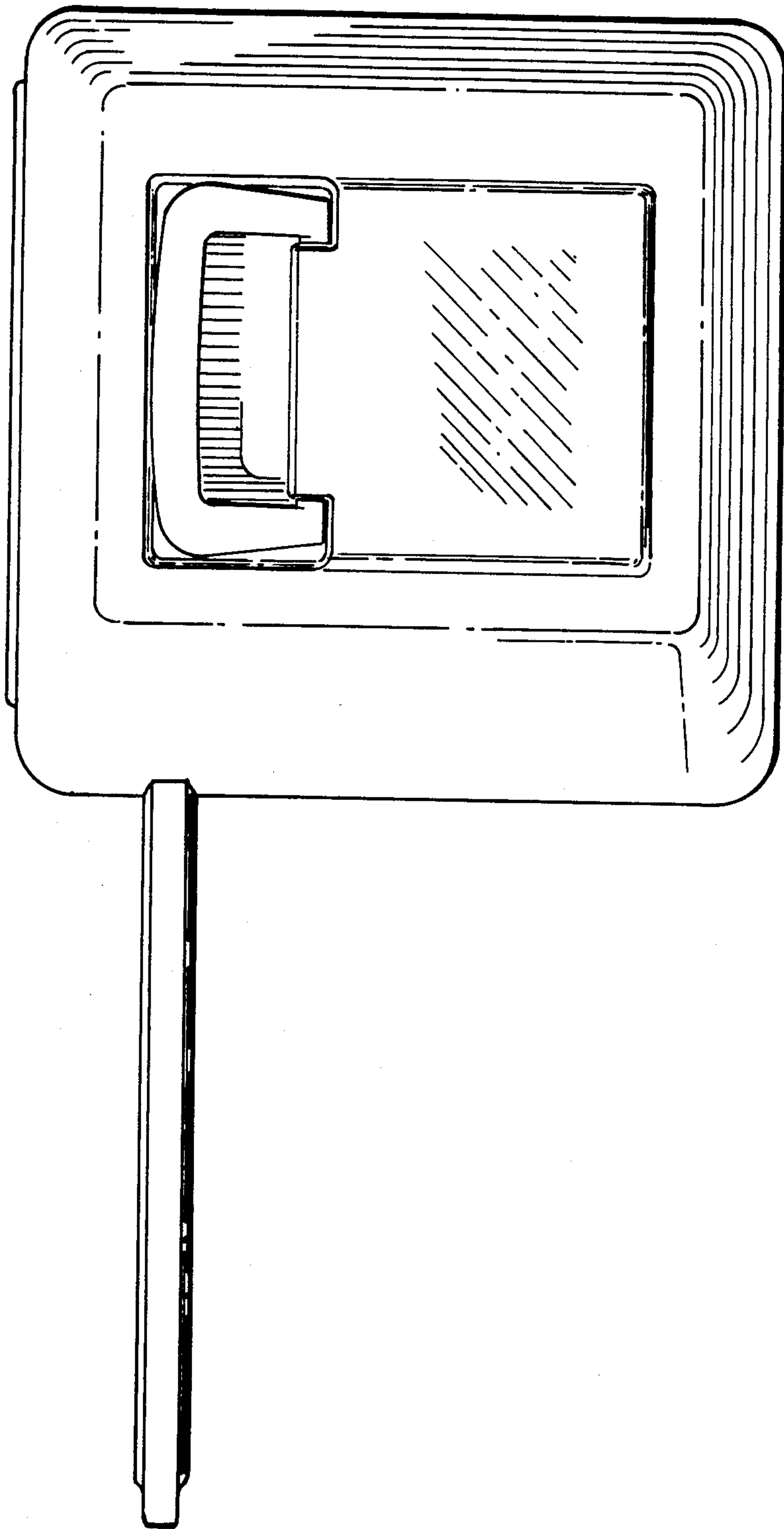


FIG. 4

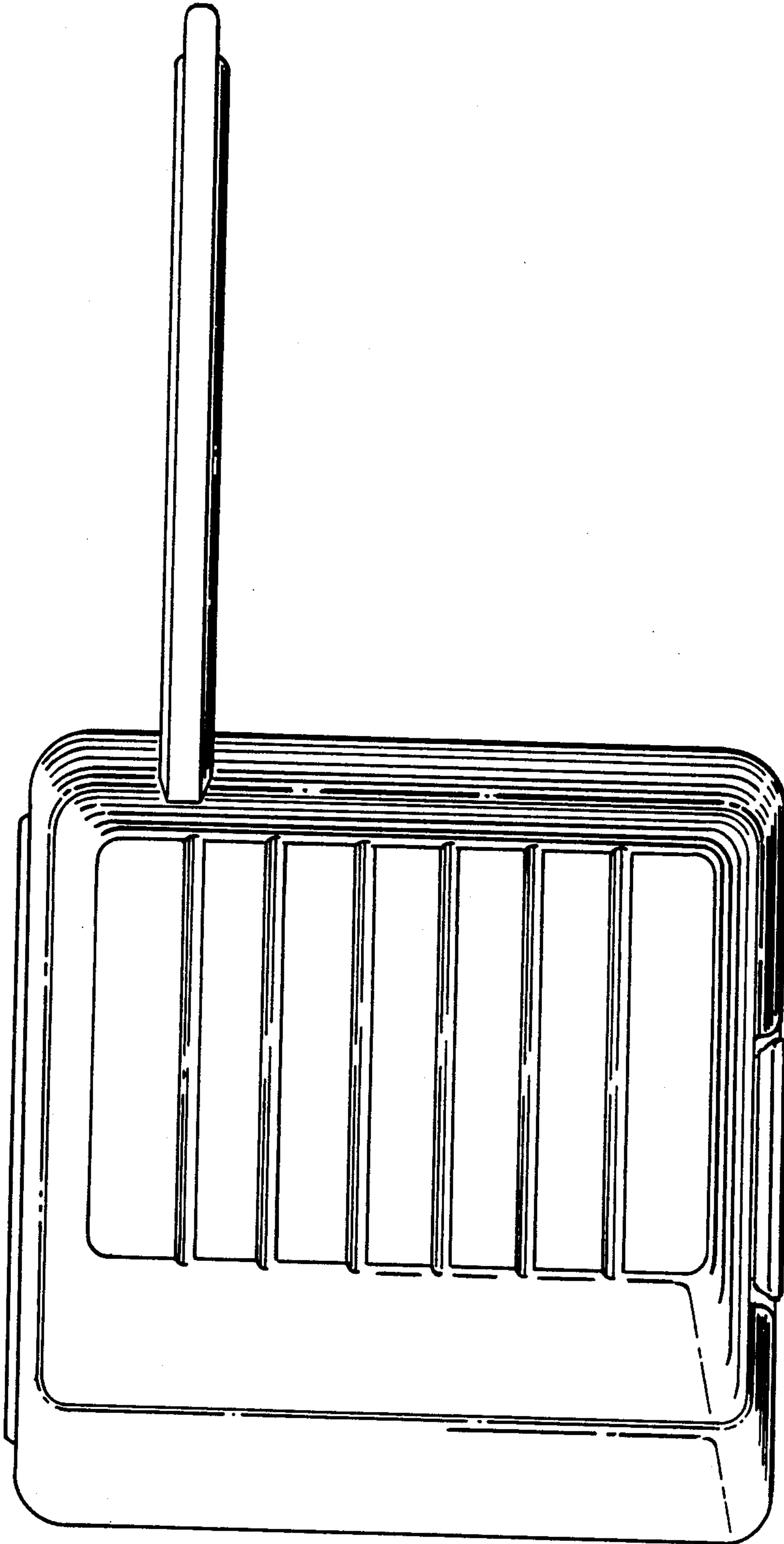


FIG. 5

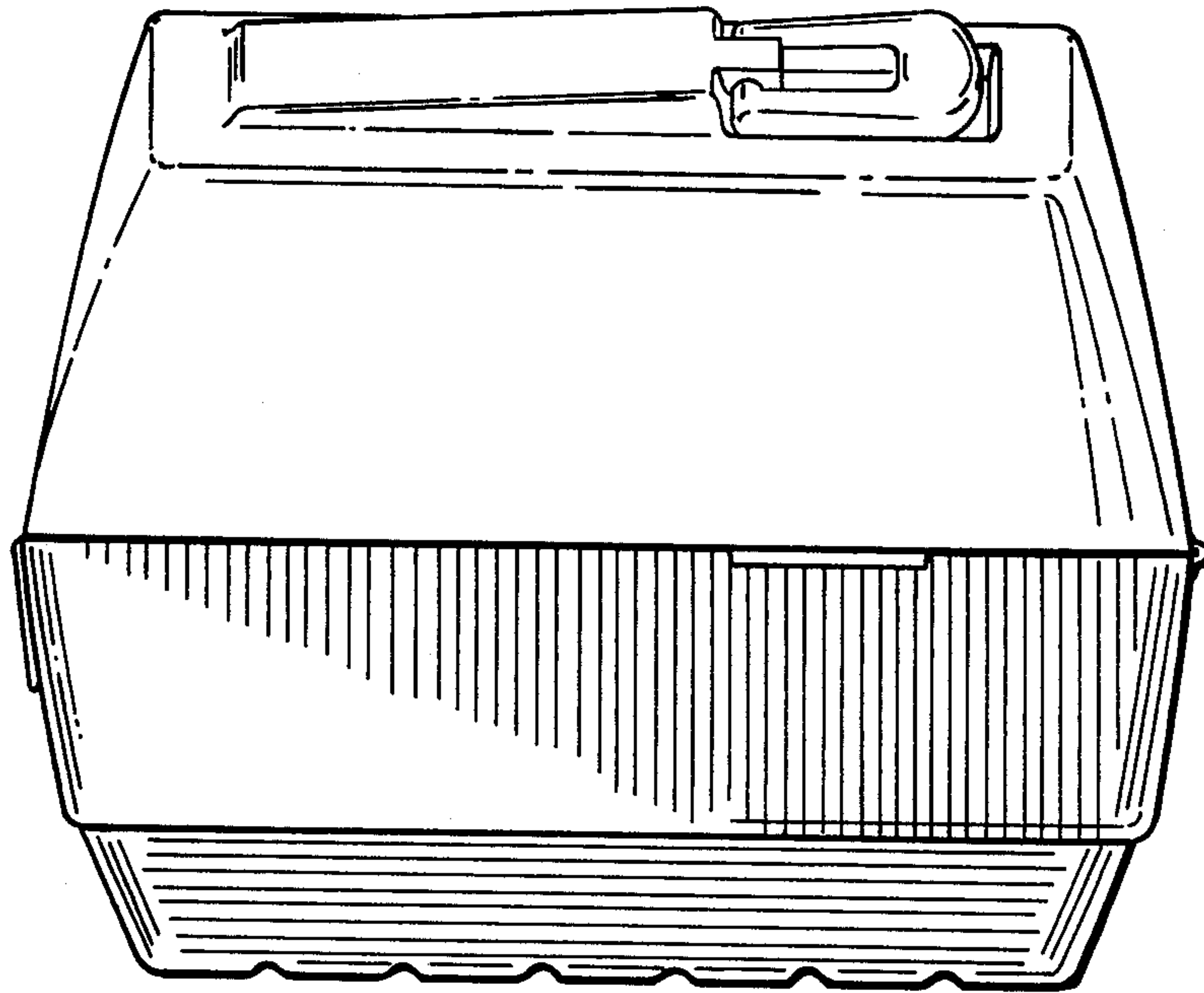


FIG. 6

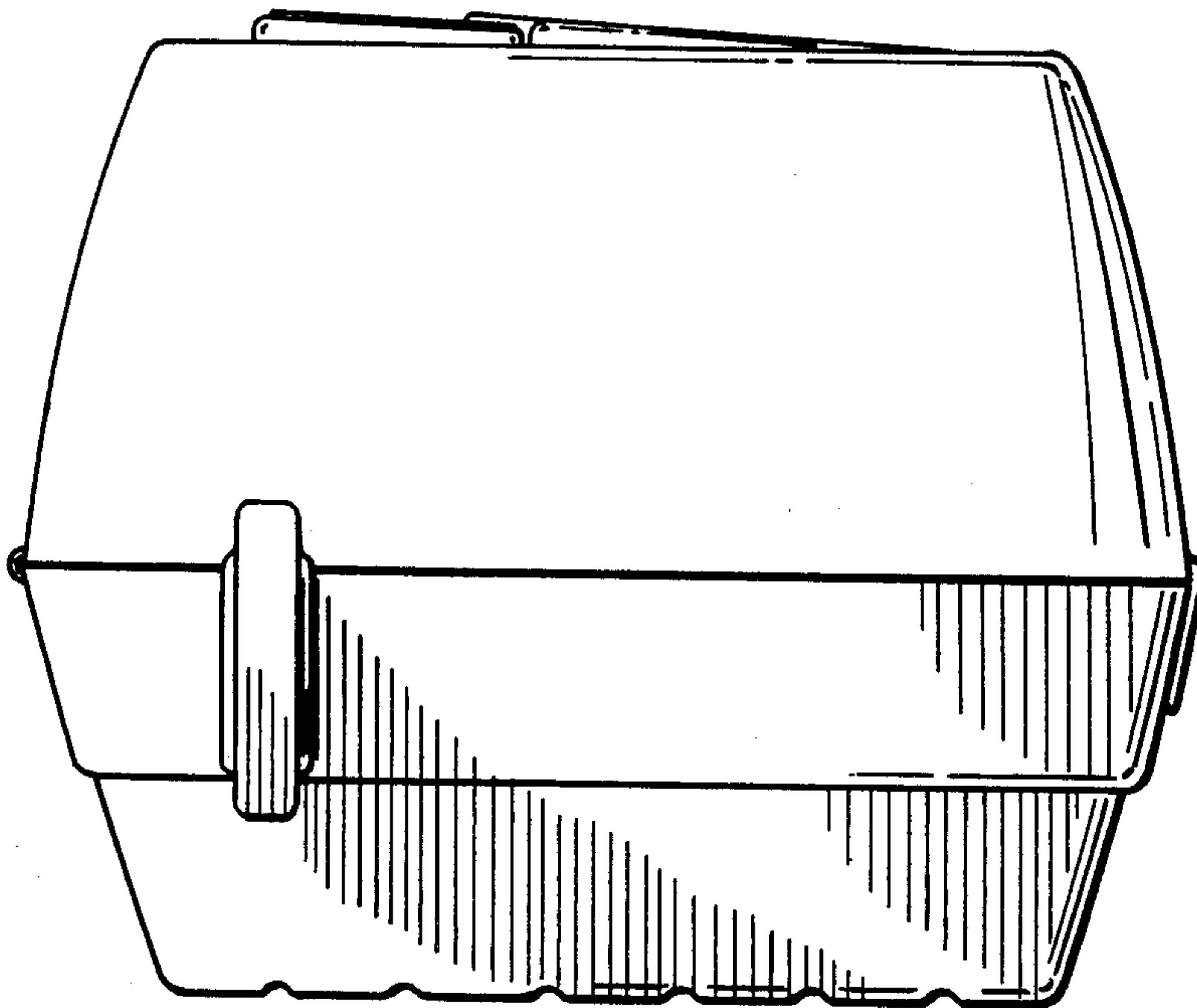


FIG. 7