

[54] DISPENSER FOR SWEETS

[75] Inventor: Amilcare Dogliotti, Neive, Cuneo, Italy

[73] Assignee: P. Ferrero & C. S.p.A., Alba, Cuneo, Italy

[**] Term: 14 Years

[21] Appl. No.: 672,355

[22] Filed: Mar. 31, 1976

[30] Foreign Application Priority Data

Oct. 6, 1975 [IT] Italy 53390 B/75

[51] Int. Cl. D7-06

[52] U.S. Cl. D52/2 B; D7/5; D7/52; D7/60

[58] Field of Search D7/59, 62, 63, 66, 67, D7/85, 41, 98, 60, 5, 52; D15/112, 113, 115; 222/457; D30/16; D52/2 B; 99/293

[56] References Cited

U.S. PATENT DOCUMENTS

D. 197,348	1/1964	Most	D52/2 B
D. 232,658	9/1974	Fassauer	D52/2 B
D. 238,846	2/1976	Finnegan	D7/98
264,721	9/1882	Mabury	99/293 X
2,017,990	10/1935	Ray	222/457

Primary Examiner—Winifred E. Herrmann
Attorney, Agent, or Firm—Richard C. Sughrue

[57] CLAIM

The ornamental design for a dispenser for sweets, as shown.

DESCRIPTION

FIG. 1 is a top front perspective view of a dispenser for sweets showing my new design; FIG. 2 is a front elevational view; FIG. 3 is a bottom plan view; FIG. 4 is a left side elevational view; and FIG. 5 is a top plan view.

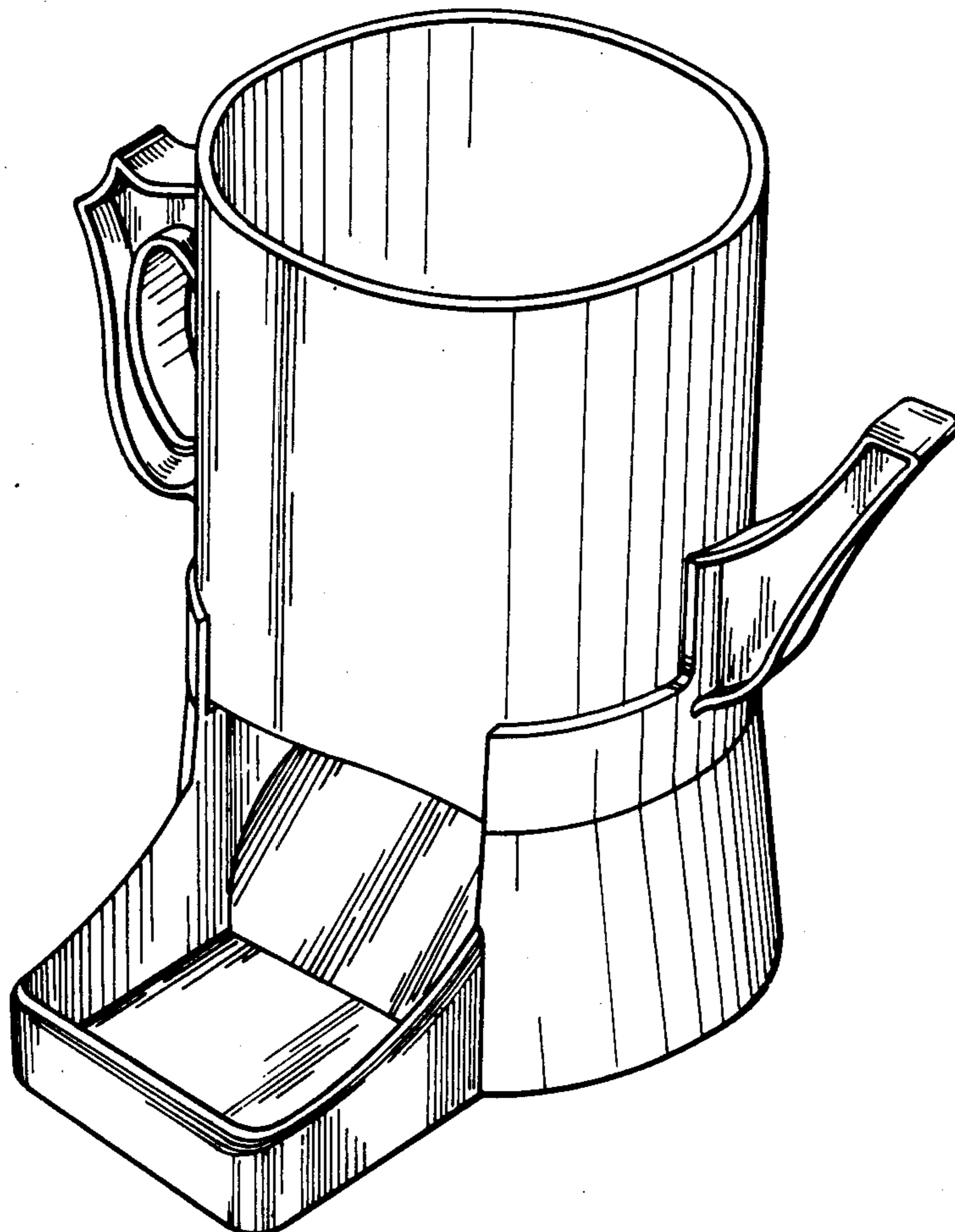


FIG. 1

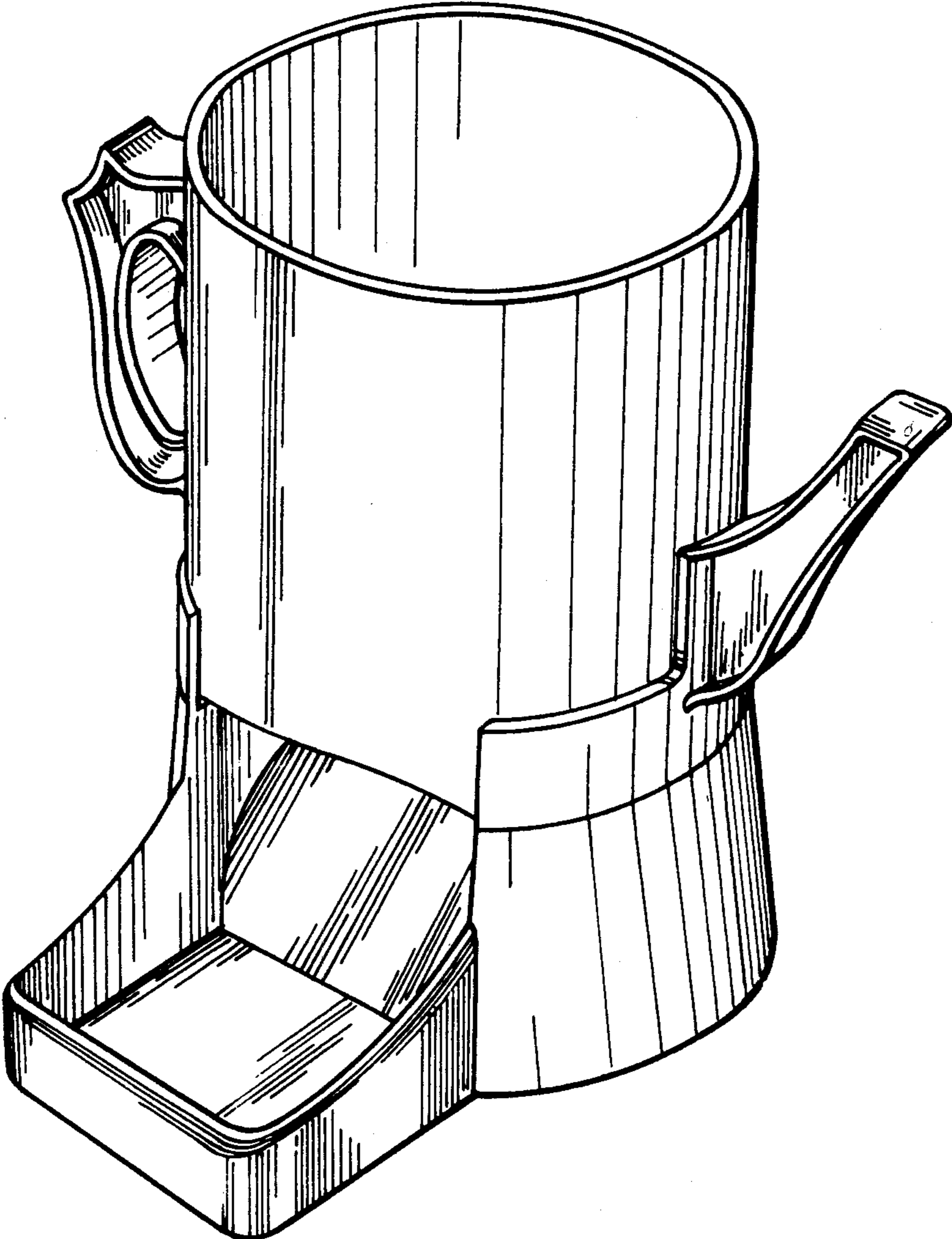


FIG. 2

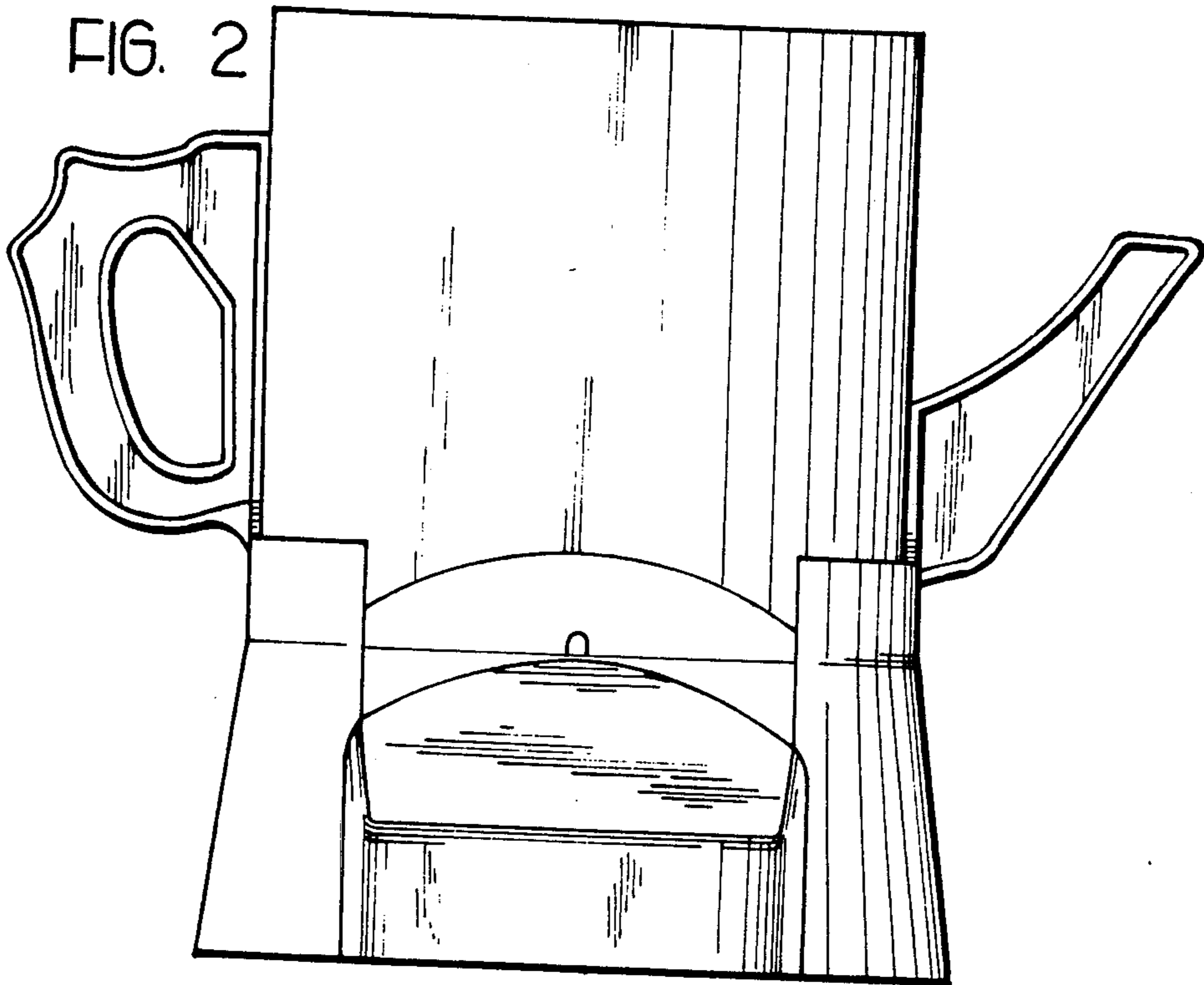


FIG. 3

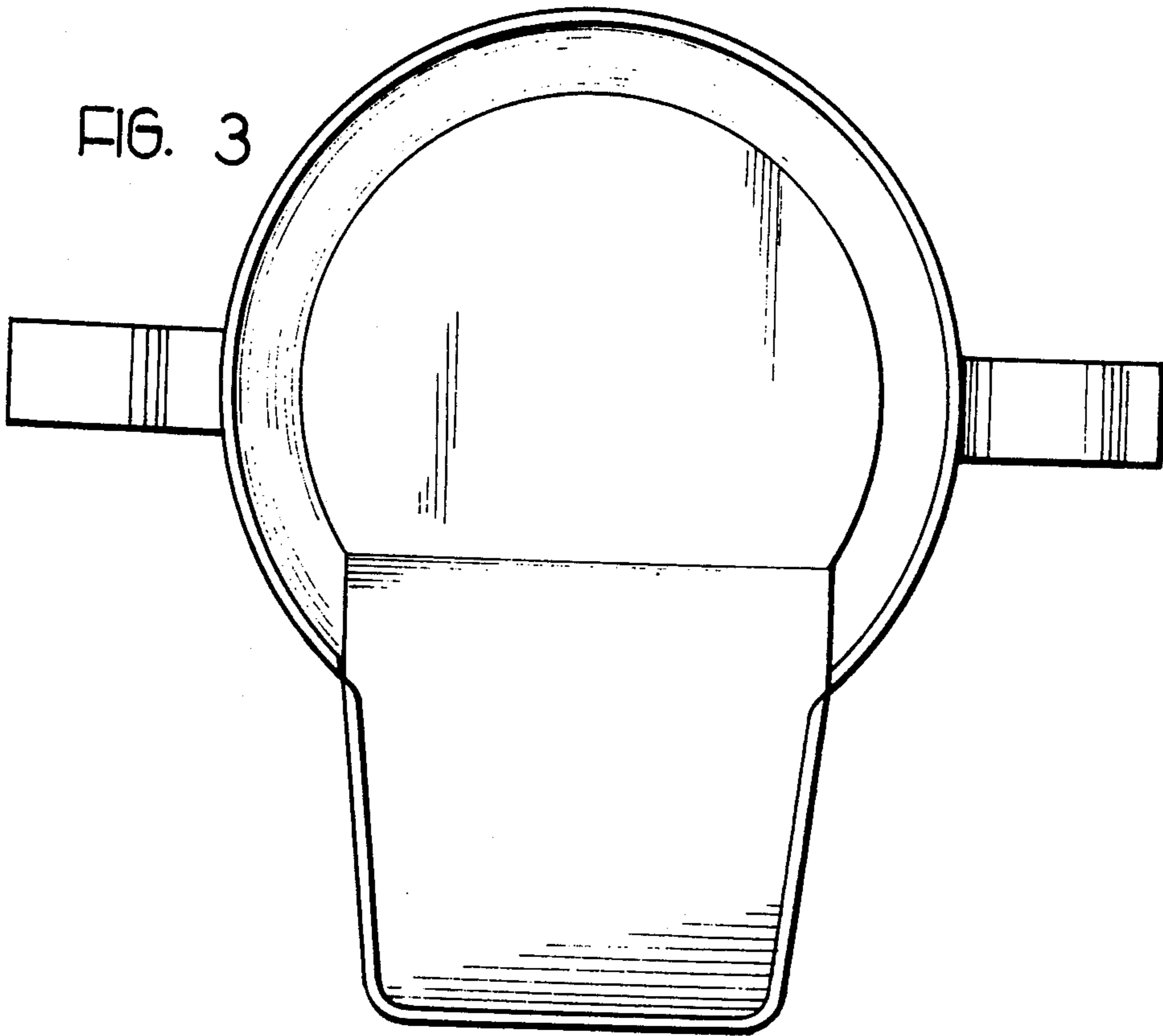


FIG. 4

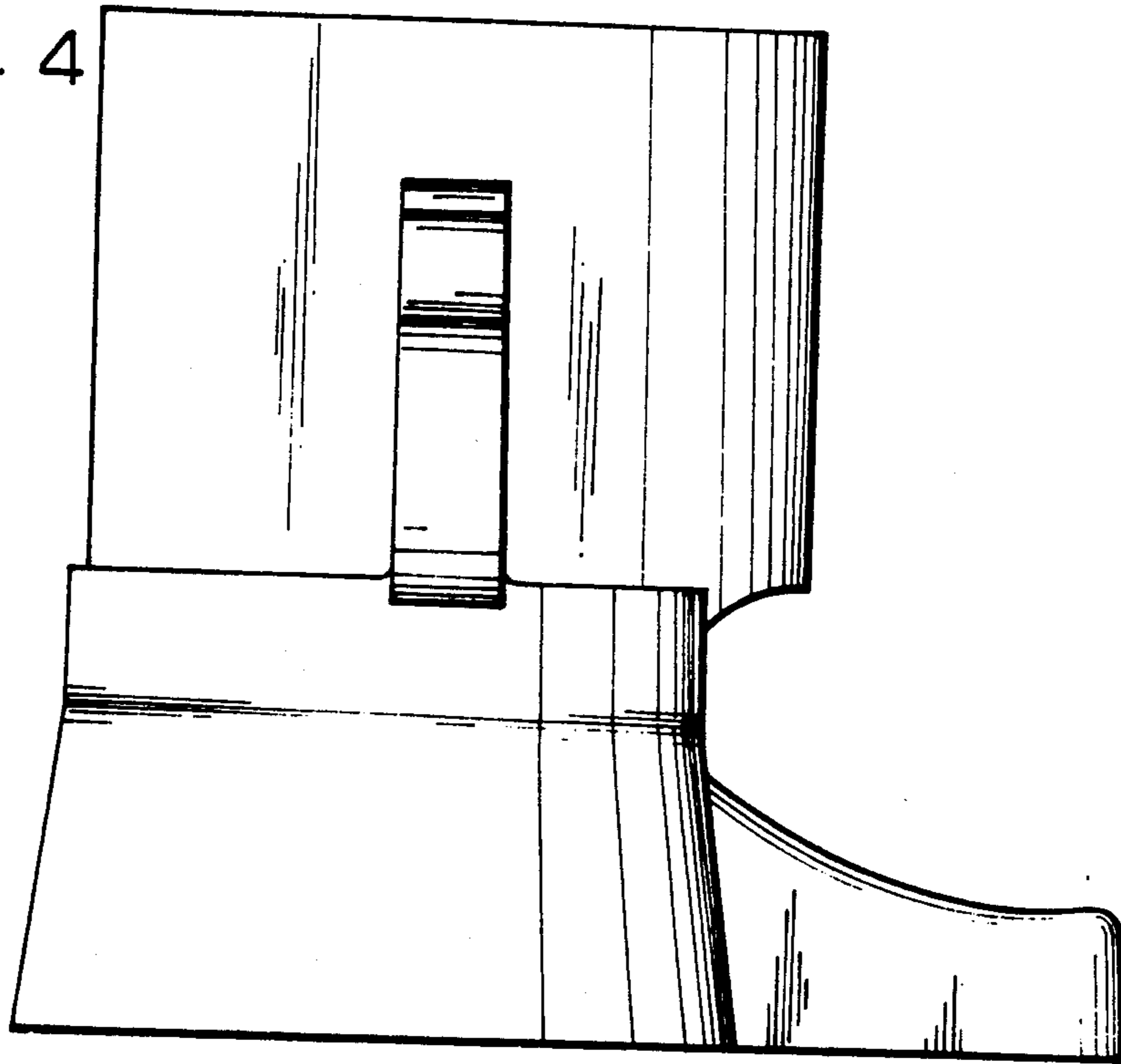


FIG. 5

