

[54] LAMP UNIT

[75] Inventors: Elmer G. Fridrich, Chardon; John M. Davenport, Euclid, both of Ohio

[73] Assignee: General Electric Company, Schenectady, N.Y.

[\*\*] Term: 14 Years

[21] Appl. No.: 682,211

[22] Filed: May 3, 1976

[51] Int. Cl. .... D26-05

[52] U.S. Cl. .... D48/20 F; D48/23 A

[58] Field of Search ..... D48/20 R, 23 A, 20 F; 240/11.4 R, 51.11, 73 R, 78 R, 81 R; 315/58

[56] References Cited

U.S. PATENT DOCUMENTS

2,056,635	10/1936	Wiegand .....	315/58
2,308,986	1/1943	Livers .....	240/51.11 R
2,888,657	5/1959	Green .....	240/11.4 R

3,996,493 12/1976 Davenport et al. .... 240/51.11 R X

FOREIGN PATENT DOCUMENTS

2,410,037 9/1974 Fed. Rep. of Germany .... 240/51.11 R

Primary Examiner—Susan J. Lucas  
Attorney, Agent, or Firm—Norman C. Fulmer

[57] CLAIM

The ornamental design for a lamp unit, as shown and described.

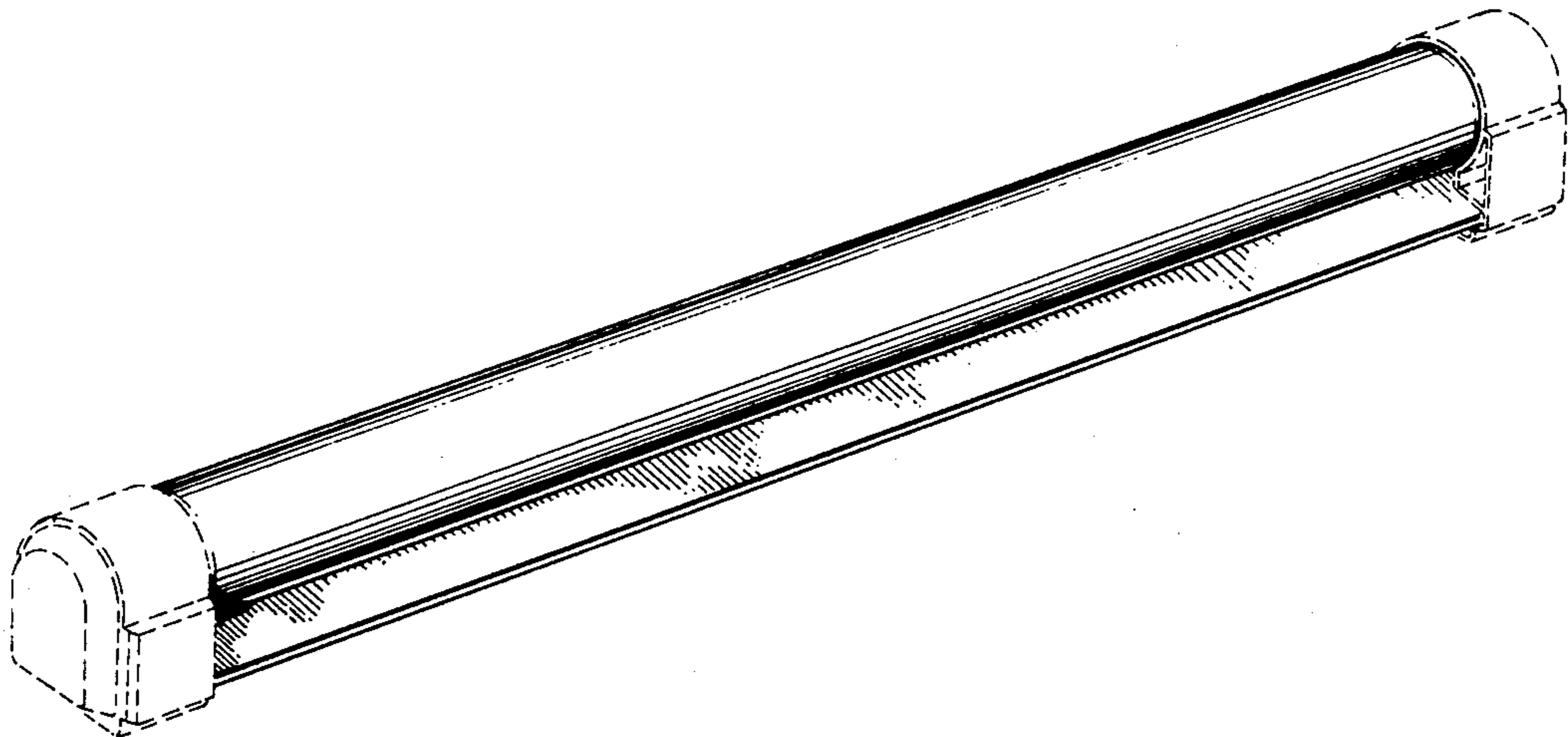
DESCRIPTION

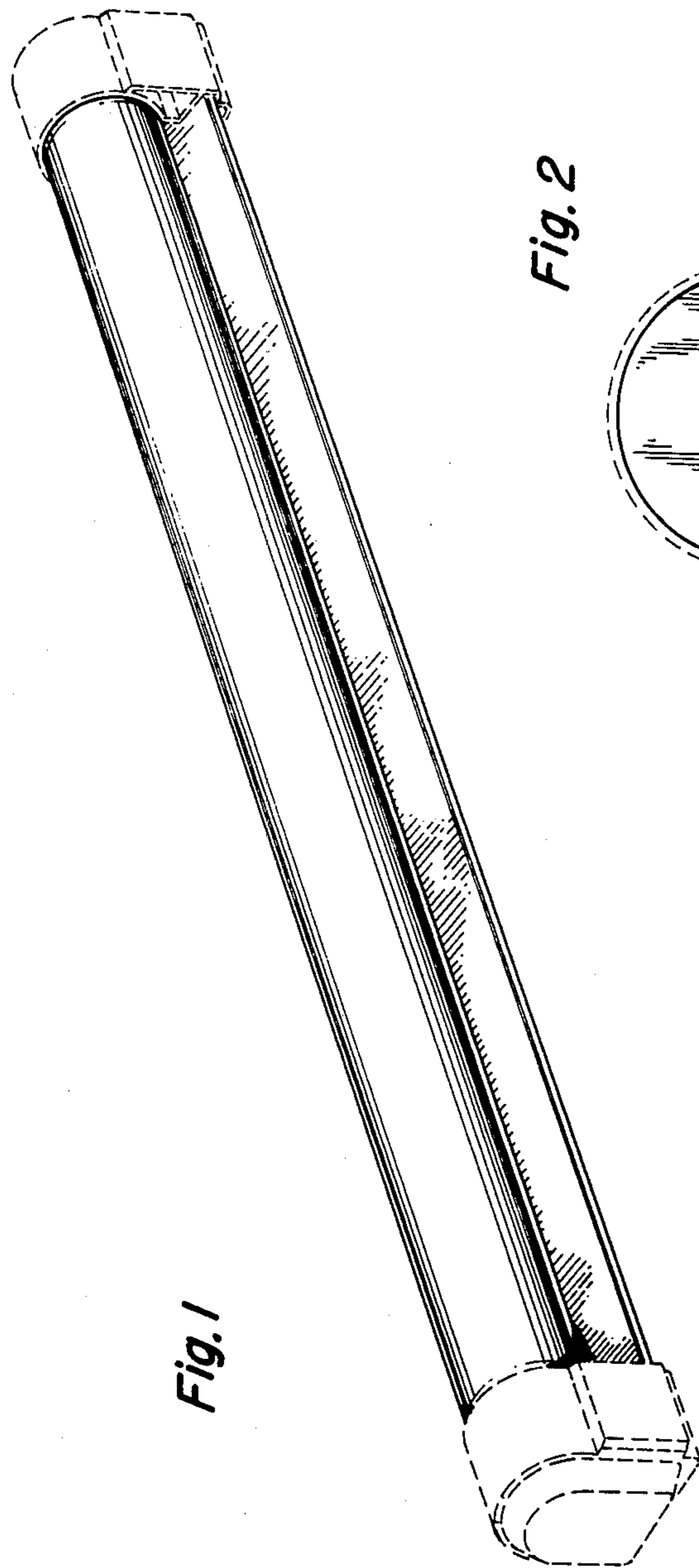
FIG. 1 is a perspective view of a lamp unit showing our new design, the opposite side being identical.

FIG. 2 is an end elevational view thereof on an enlarged scale.

FIG. 3 is an elevational view of the unit without the end caps.

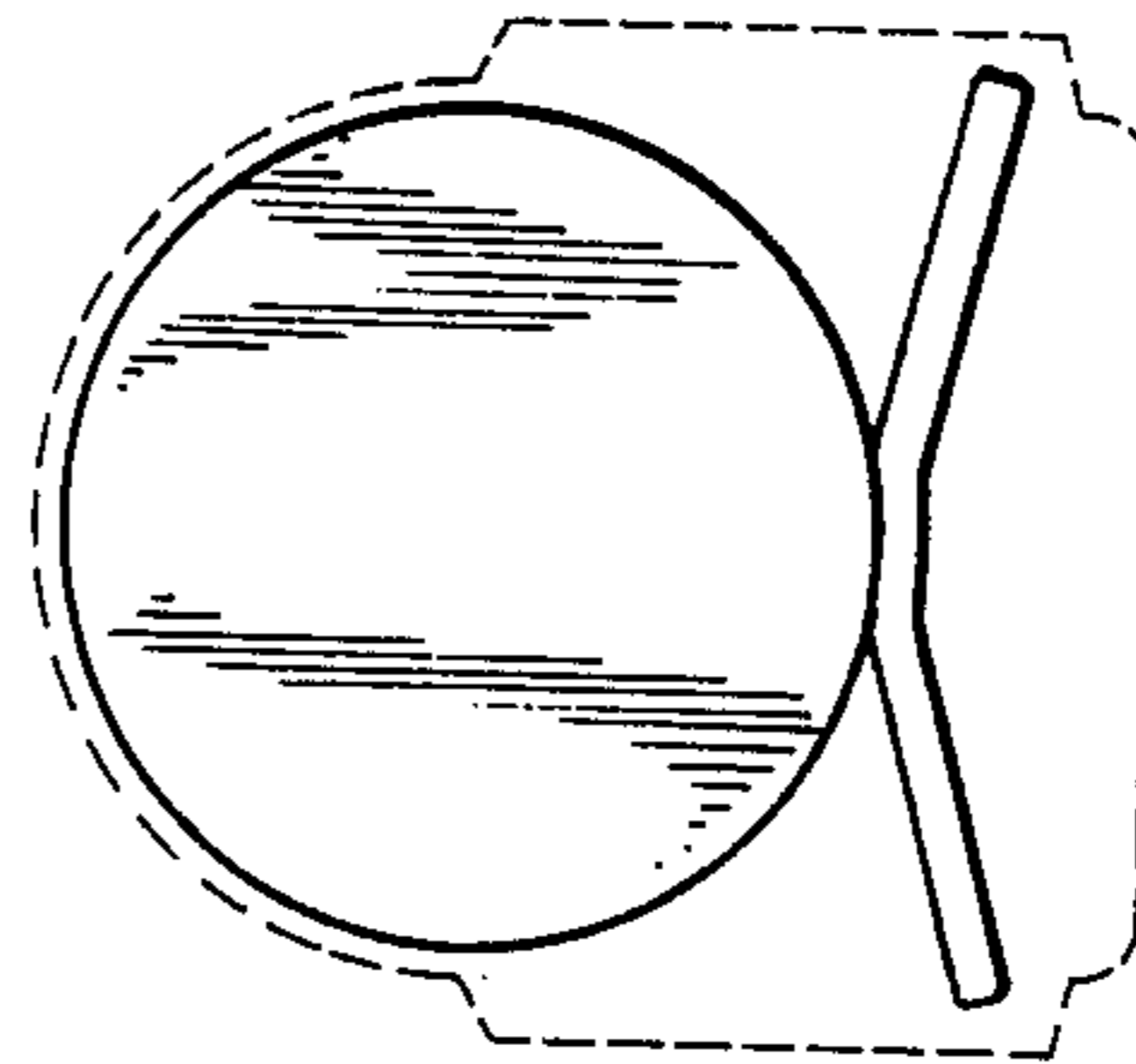
The end caps are shown in broken lines for illustrative purposes only.

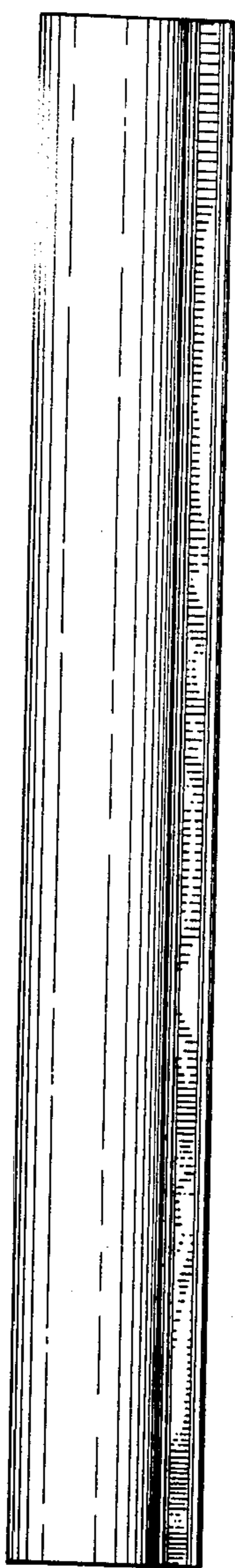




*Fig. 1*

*Fig. 2*





*Fig. 3*