

[54] TOY ROCKET LAUNCHER

[76] Inventor: Hisao Kambayashi, 1262 Mabashi, Matsudo-shi, Chiba-ken, Japan

[**] Term: 14 Years

[21] Appl. No.: 646,575

[22] Filed: Jan. 5, 1976

[51] Int. Cl. D21-01

[52] U.S. Cl. D34/15 PP; D34/15 HR

[58] Field of Search D34/15 R, 15 PP, 15 AF, D34/15 HR, 5 CT; 244/155 A, 63; 46/74 R, 74 B, 74 C, 74 D, 74 A

[56] References Cited

U.S. PATENT DOCUMENTS

2,993,297 7/1961 Bednar et al. 46/74 B

3,190,033 6/1965 Wood 46/74 B
3,739,764 6/1973 Allport 46/74 B

OTHER PUBLICATIONS

Playthings, 4-1959, p. 48, rocket launcher.

Primary Examiner—Joel Stearman

Assistant Examiner—C. A. Rademaker

Attorney, Agent, or Firm—Browdy & Neimark

[57] CLAIM

The ornamental design for a toy rocket launcher, as shown and described.

DESCRIPTION

FIG. 1 is a front perspective view of a toy rocket launcher showing my new design, and FIG. 2 is a rear perspective view.

The undisclosed bottom of the claimed design is substantially plain and unornamented.

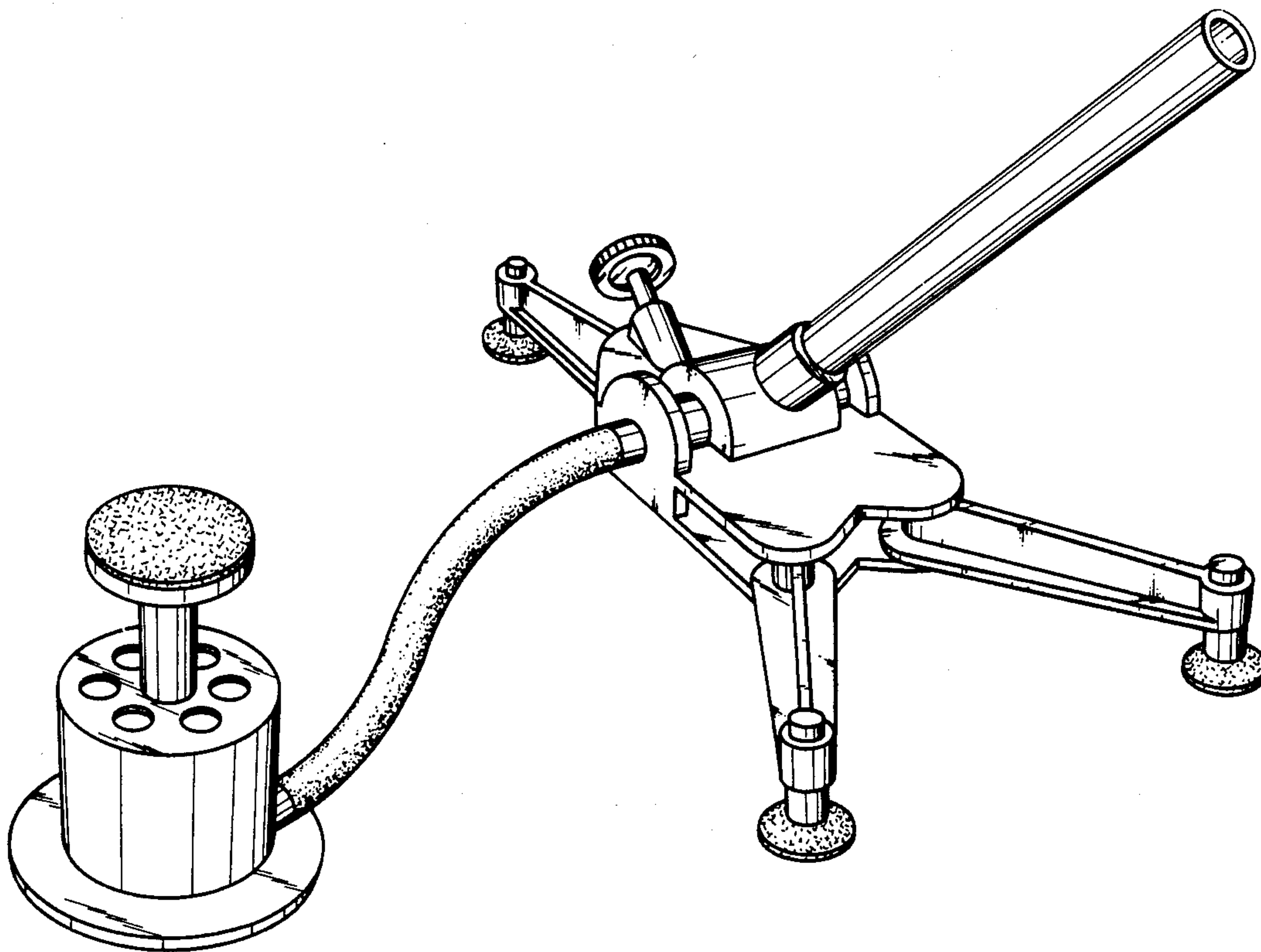


FIG. 1

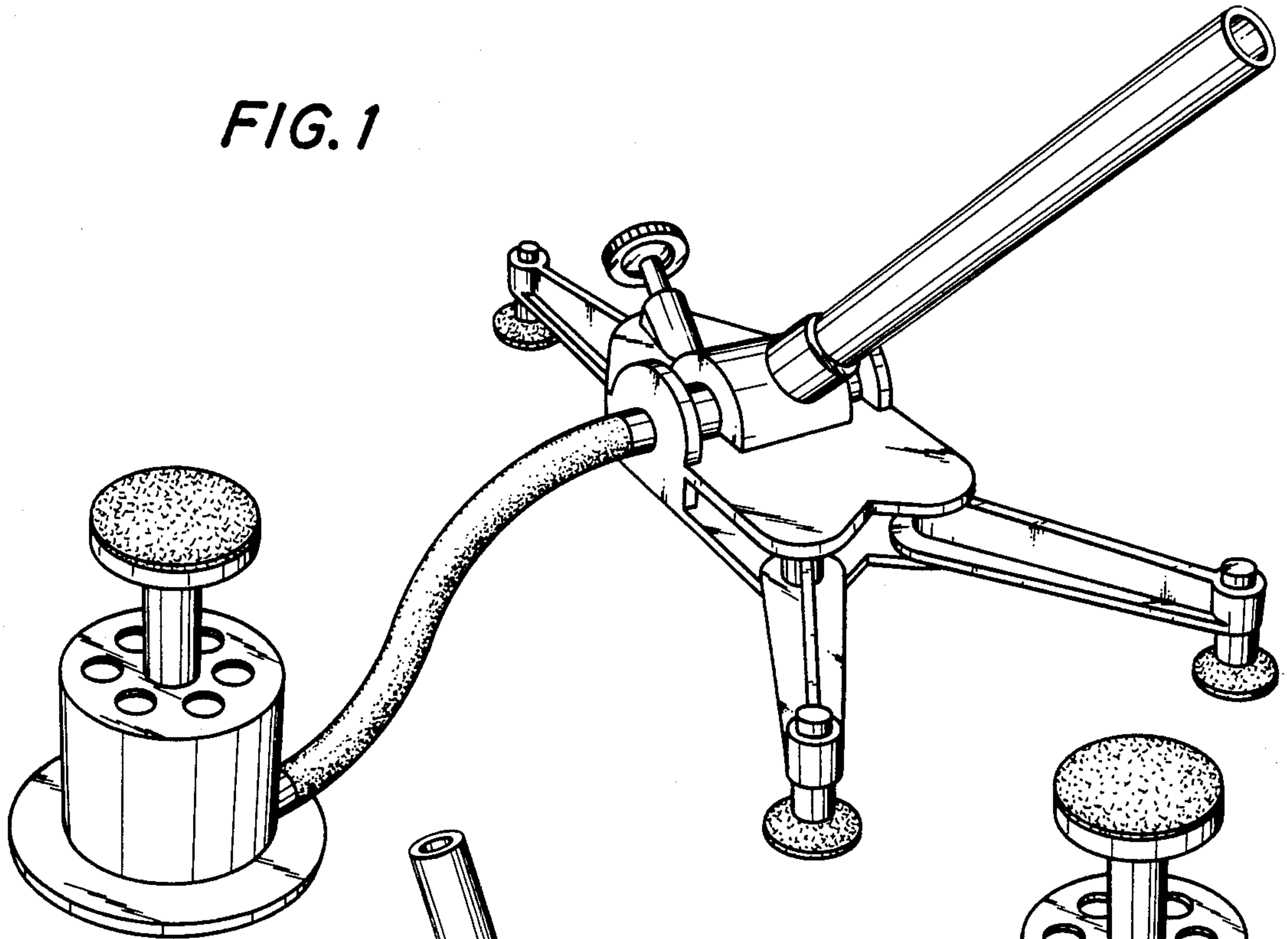


FIG. 2

