

[54] BUILDING

[76] Inventor: Samuel Mark, 709 Melville Ave.,  
Baltimore, Md. 21218

[\*\*] Term: 14 Years

[21] Appl. No.: 734,247

[22] Filed: Oct. 20, 1976

[51] Int. Cl. .... D25-03

[52] U.S. Cl. .... D25/5; D25/19;  
D25/31

[58] Field of Search ..... 52/90, 185, 187, 236,  
52/237; D25/1, 3, 4, 5, 6, 13, 14, 15, 7, 18, 19,  
22, 23, 26, 31, 32, 33, 62, 63

[56]

References Cited

U.S. PATENT DOCUMENTS

277,156	5/1883	Pardessus .....	52/187 X
506,238	10/1893	Kirker .....	52/187 X
3,768,016	10/1973	Townsend et al. ....	D25/6 X
3,841,039	10/1974	Farnsworth .....	D25/19 X
3,895,473	7/1975	Fraser .....	D25/6 X

Primary Examiner—A. Hugo Word

Attorney, Agent, or Firm—Morton J. Rosenberg

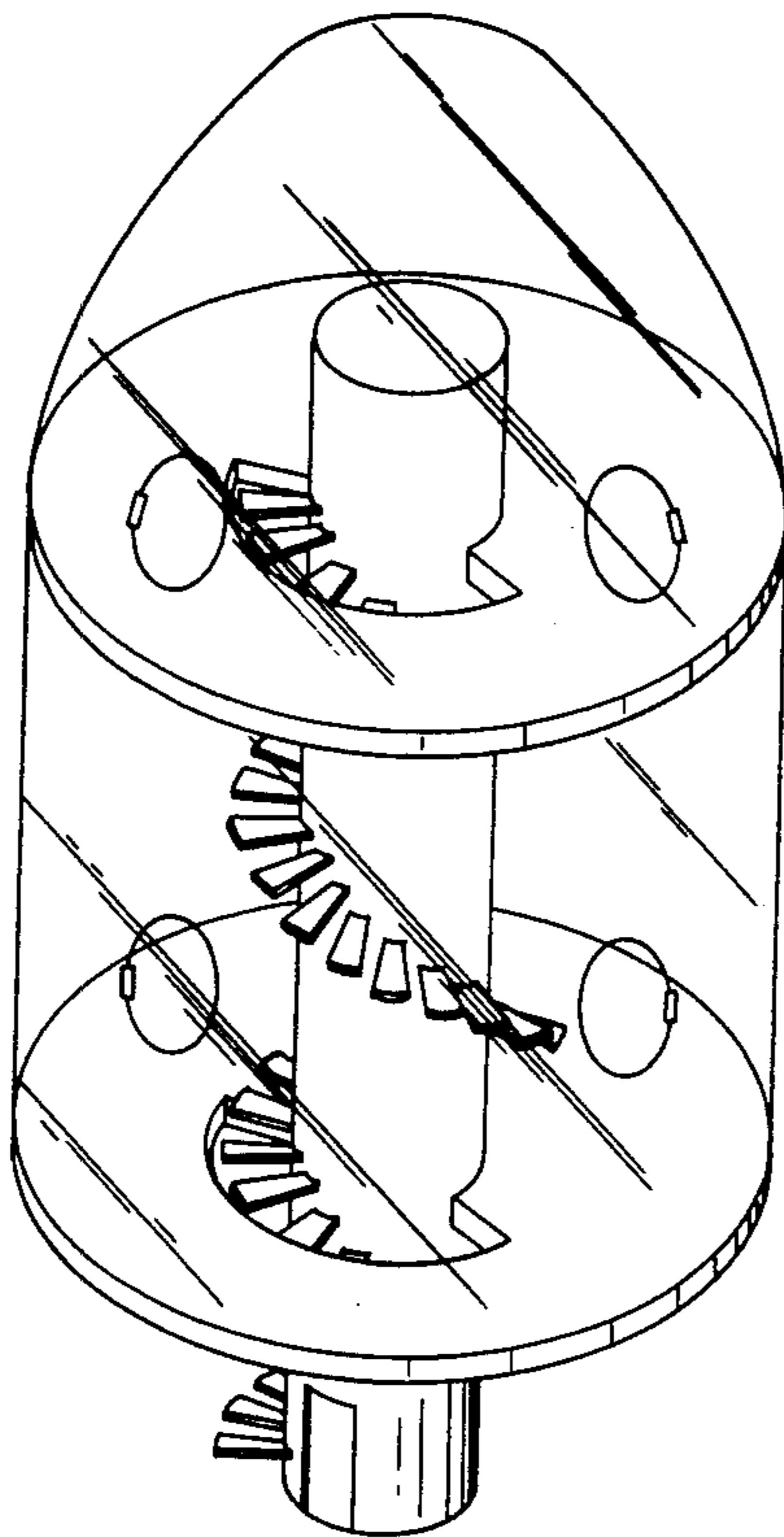
[57]

CLAIM

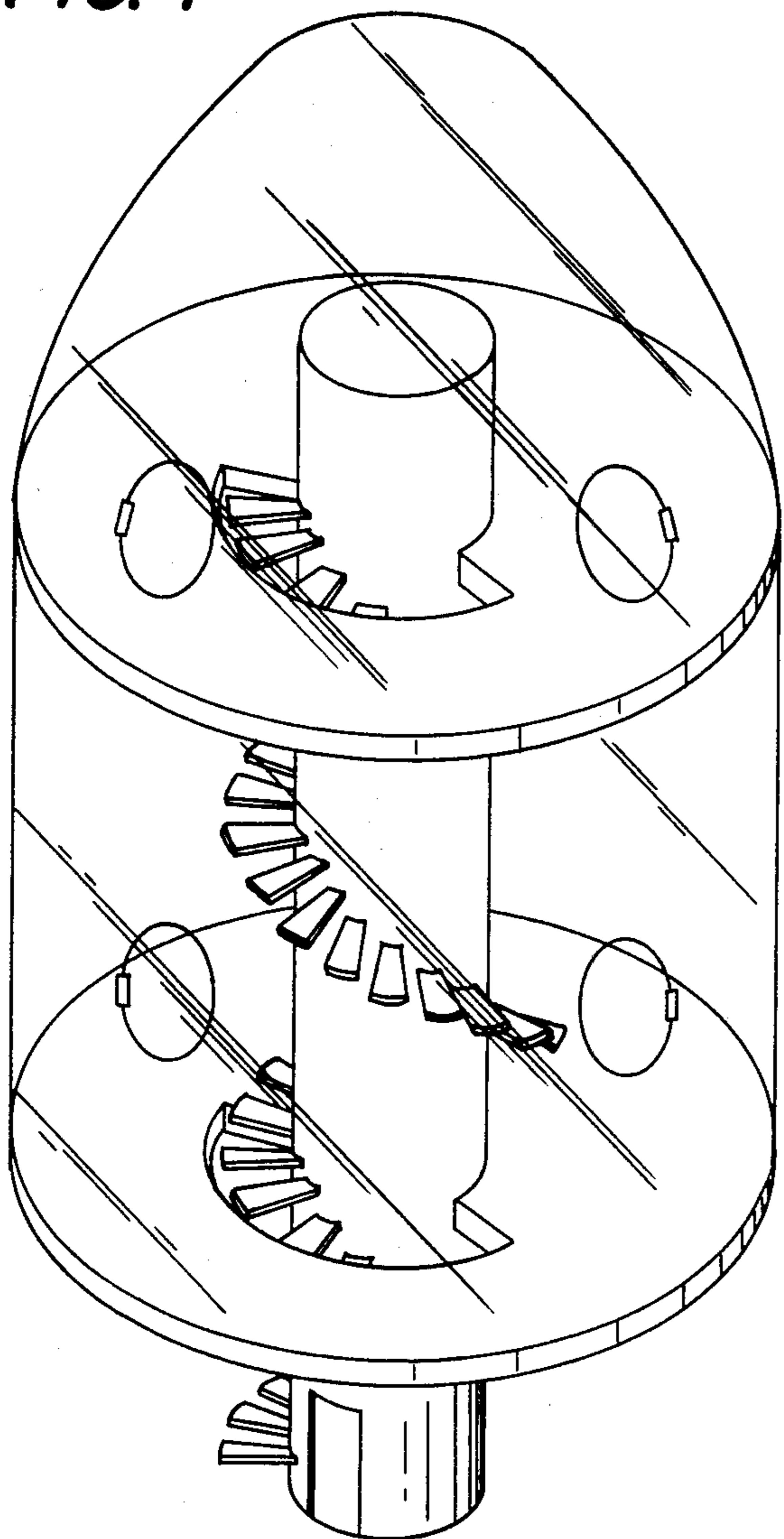
The ornamental design for a building, as shown and described.

DESCRIPTION

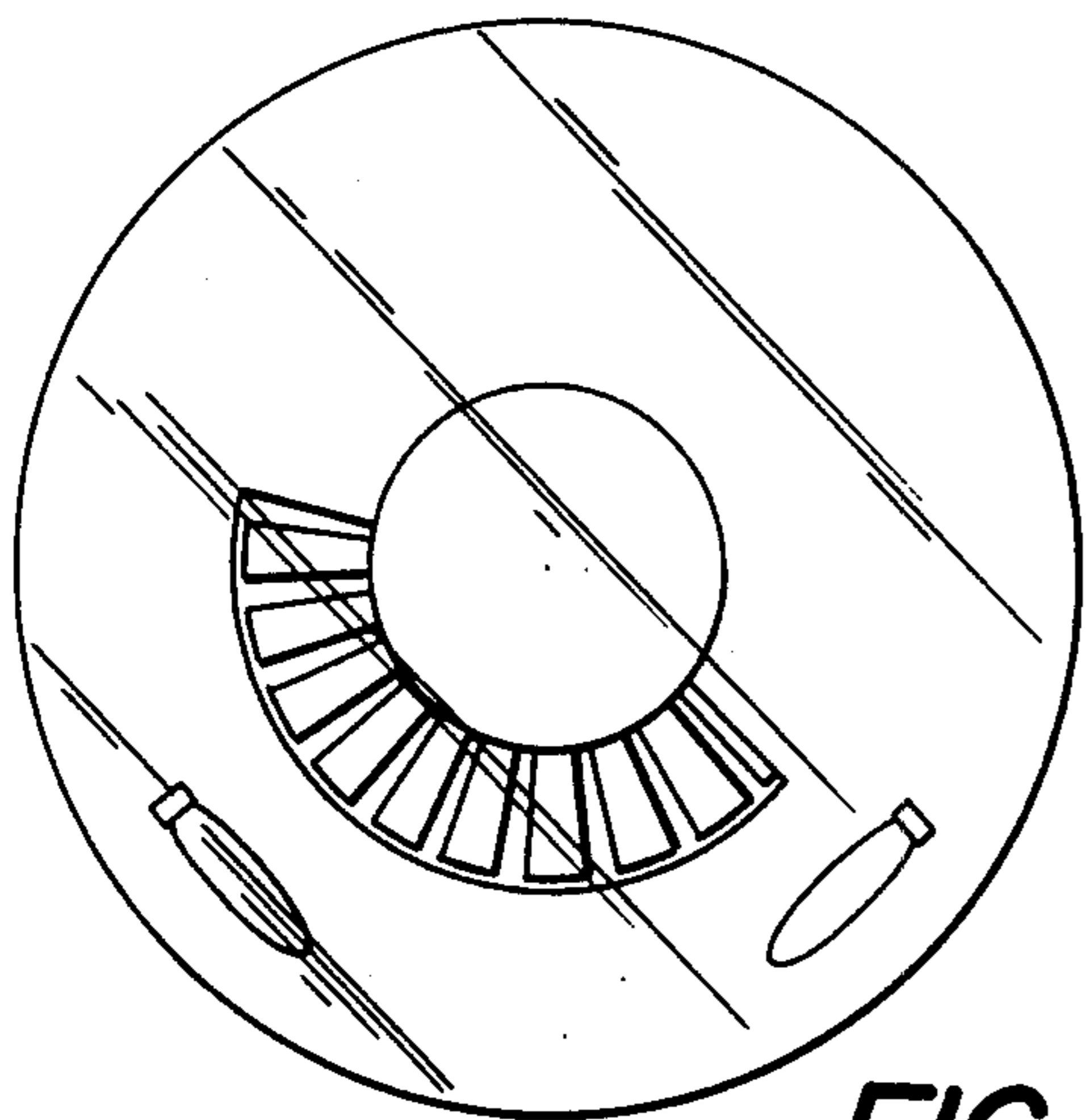
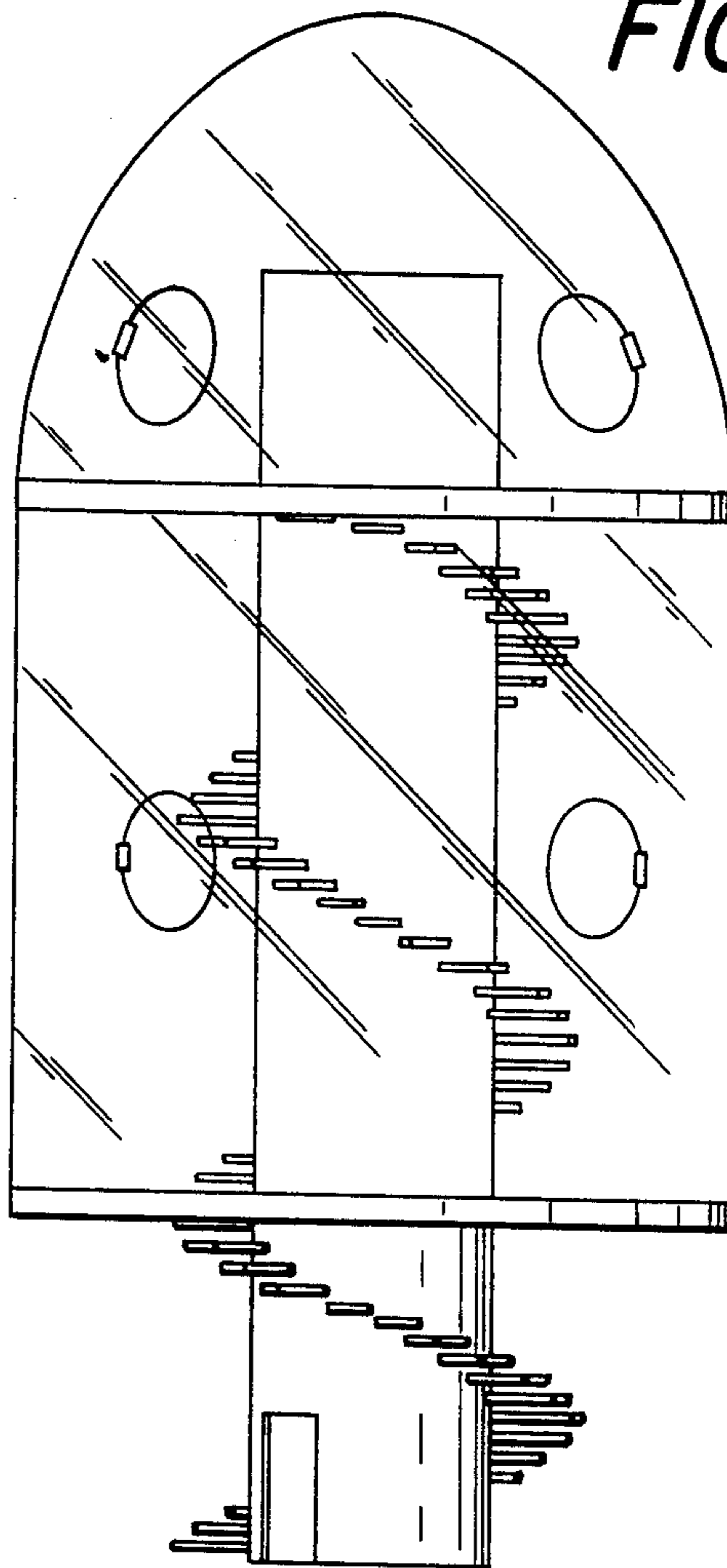
FIG. 1 is a perspective view taken from above a building showing my new design;  
FIG. 2 is an elevational view thereof;  
FIG. 3 is a top view thereof; and,  
FIG. 4 is a bottom thereof.



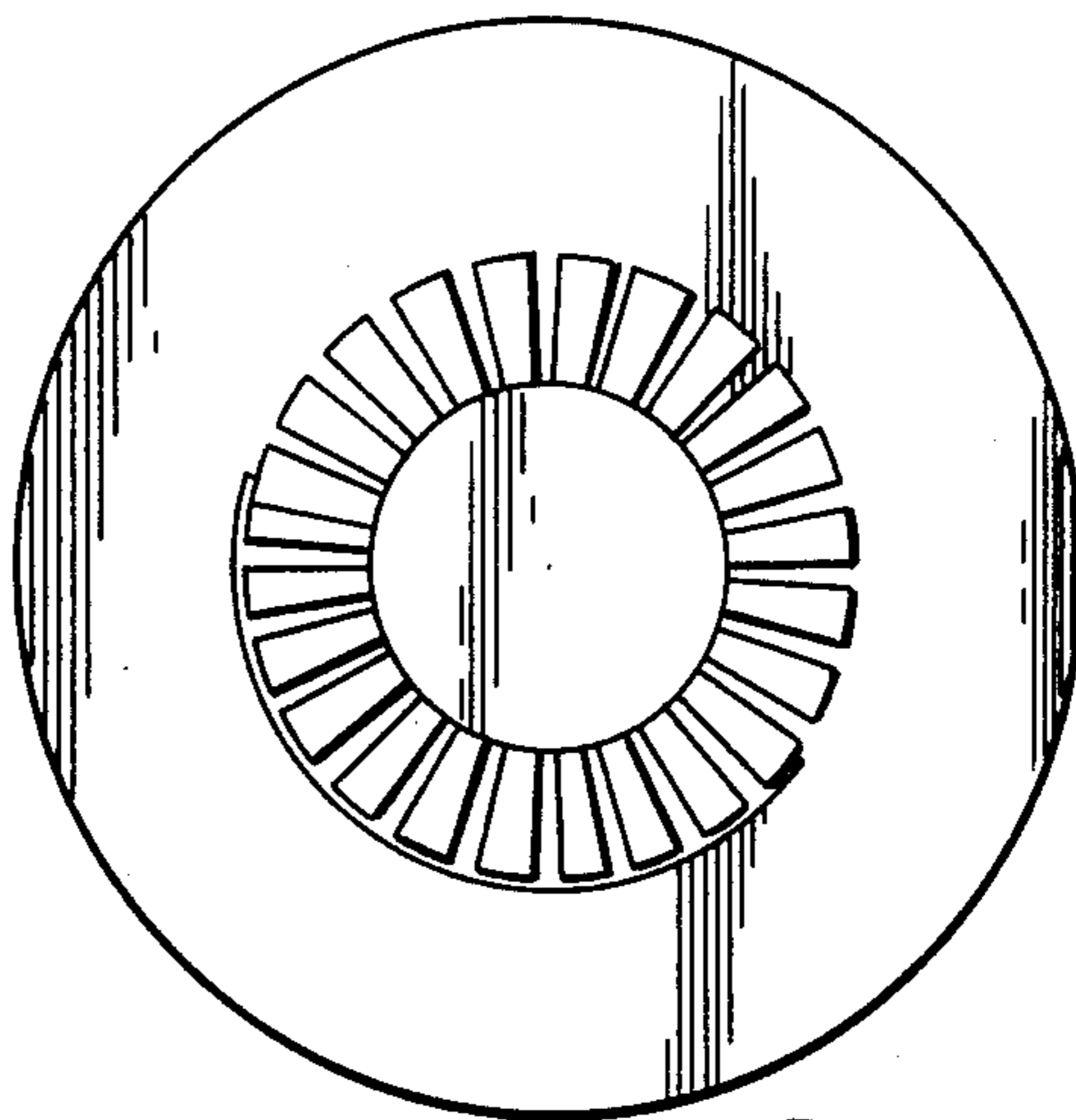
**FIG. 1**



**FIG. 2**



**FIG. 3**



**FIG. 4**