

[54] URINARY COLLECTING UNIT

[75] Inventors: Shinroku Nakao, Yokohama; Yoshiyasu Ishii; Kenshun Ishii, both of Tokyo, all of Japan

[73] Assignee: Combi Co., Ltd., Tokyo, Japan

[**] Term: 14 Years

[21] Appl. No.: 692,710

[22] Filed: Jun. 4, 1976

[30] Foreign Application Priority Data
Feb. 19, 1976 [JP] Japan 51-5376

[51] Int. Cl. D24-04

[52] U.S. Cl. D24/54; D24/57

[58] Field of Search D24/54, 57; 4/110, 111, 4/112, 113, 114; 128/2 F, 295

[56] References Cited

U.S. PATENT DOCUMENTS

D. 199,294	9/1964	Hill	D24/57 X
D. 213,408	2/1969	Brodsky	D24/54
D. 240,083	5/1976	Gregor	D24/54
3,473,172	10/1969	Friedman et al.	4/110
3,485,233	12/1969	Cord	4/110 X
3,512,185	5/1970	Ellis	4/110
3,929,412	12/1975	Villari	4/110
3,995,329	12/1976	Williams	4/110

Primary Examiner—Bernard Ansher
Attorney, Agent, or Firm—Richard C. Sughrue

[57] CLAIM

The ornamental design for a urinary collecting unit, as shown and described.

DESCRIPTION

FIG. 1 is a side elevation of a urinary collecting unit showing my new design; FIG. 2 is a front perspective view thereof; and FIG. 3 is a rear perspective view thereof.

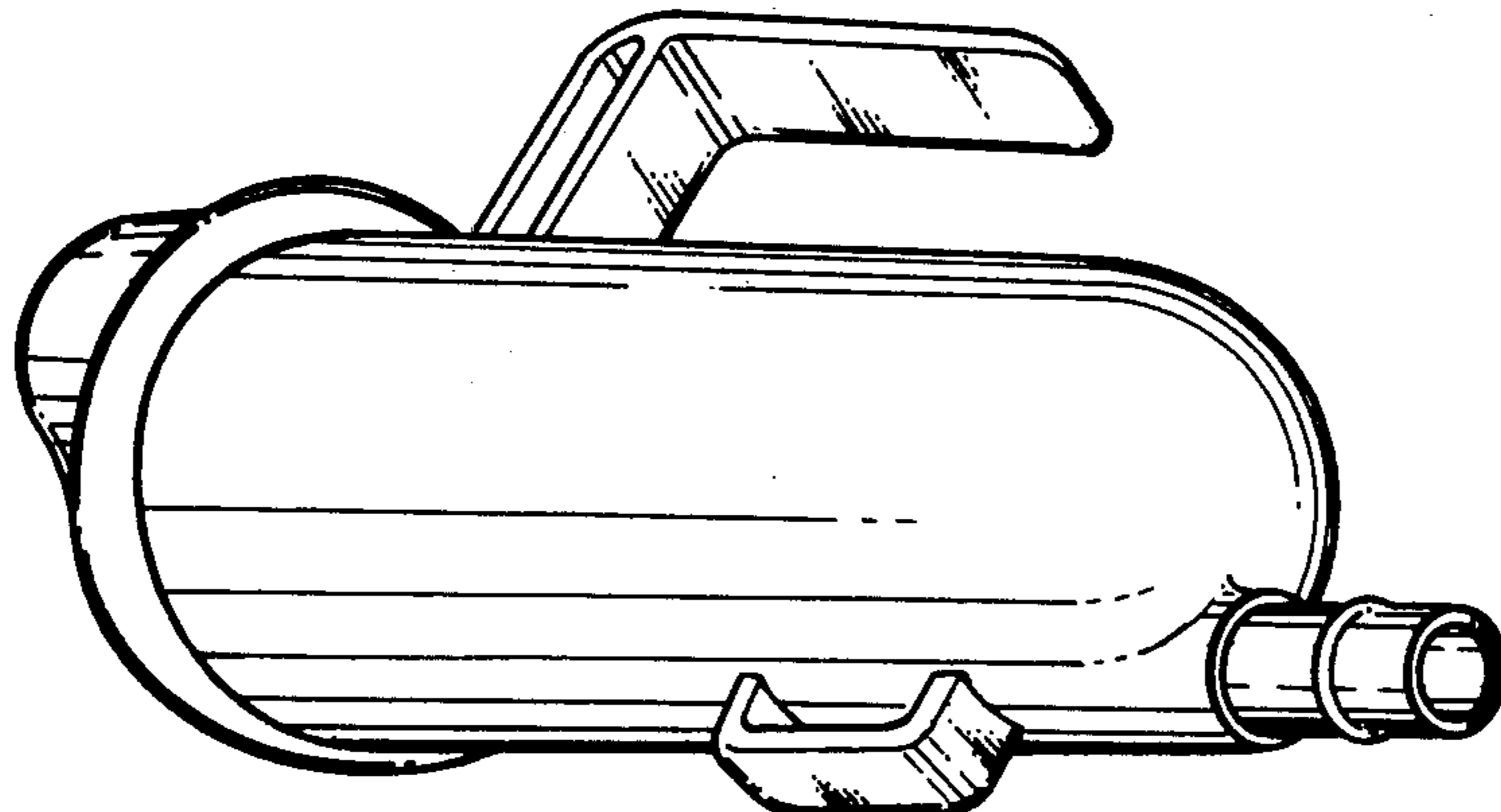
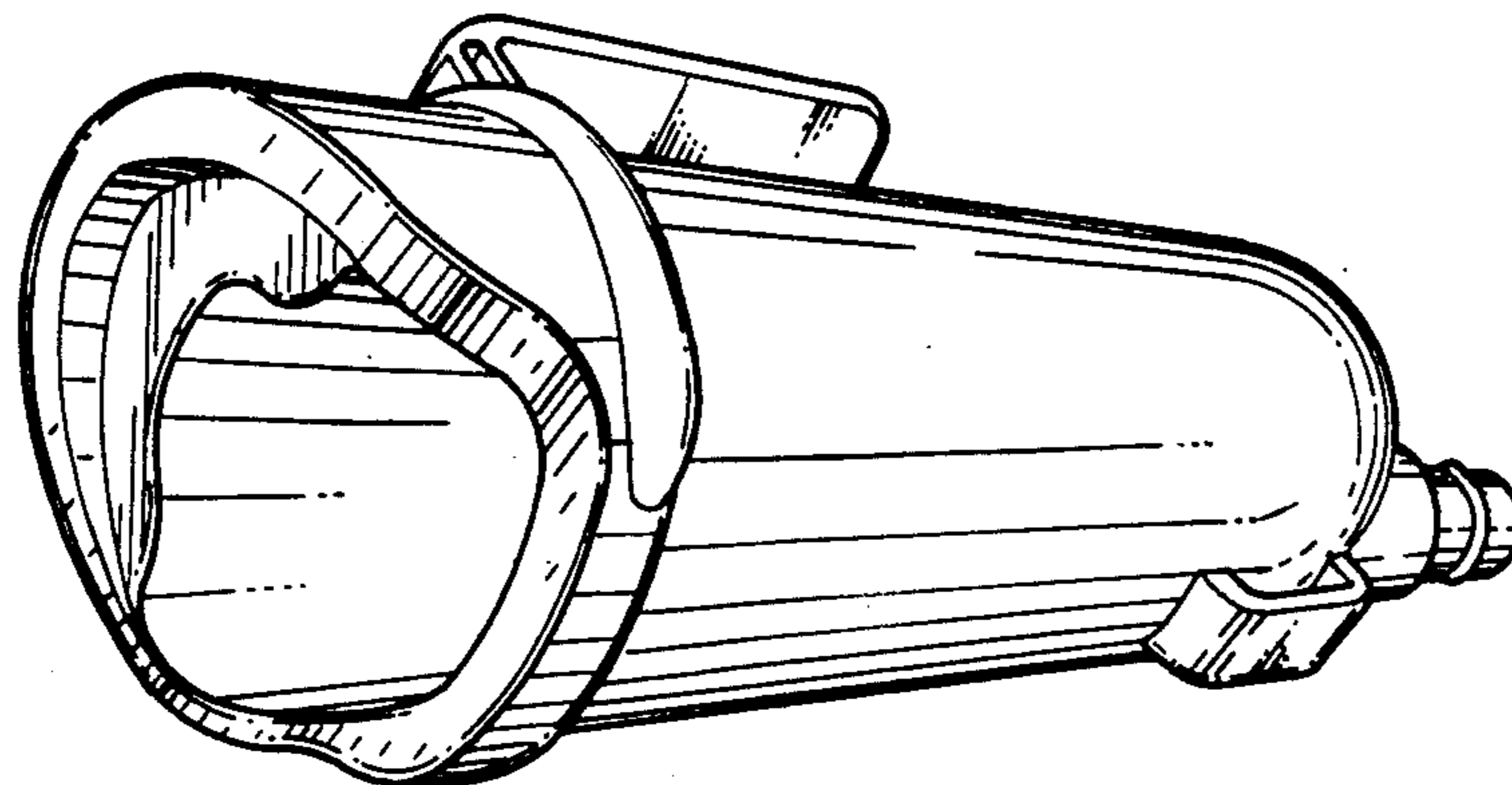


Fig. 1

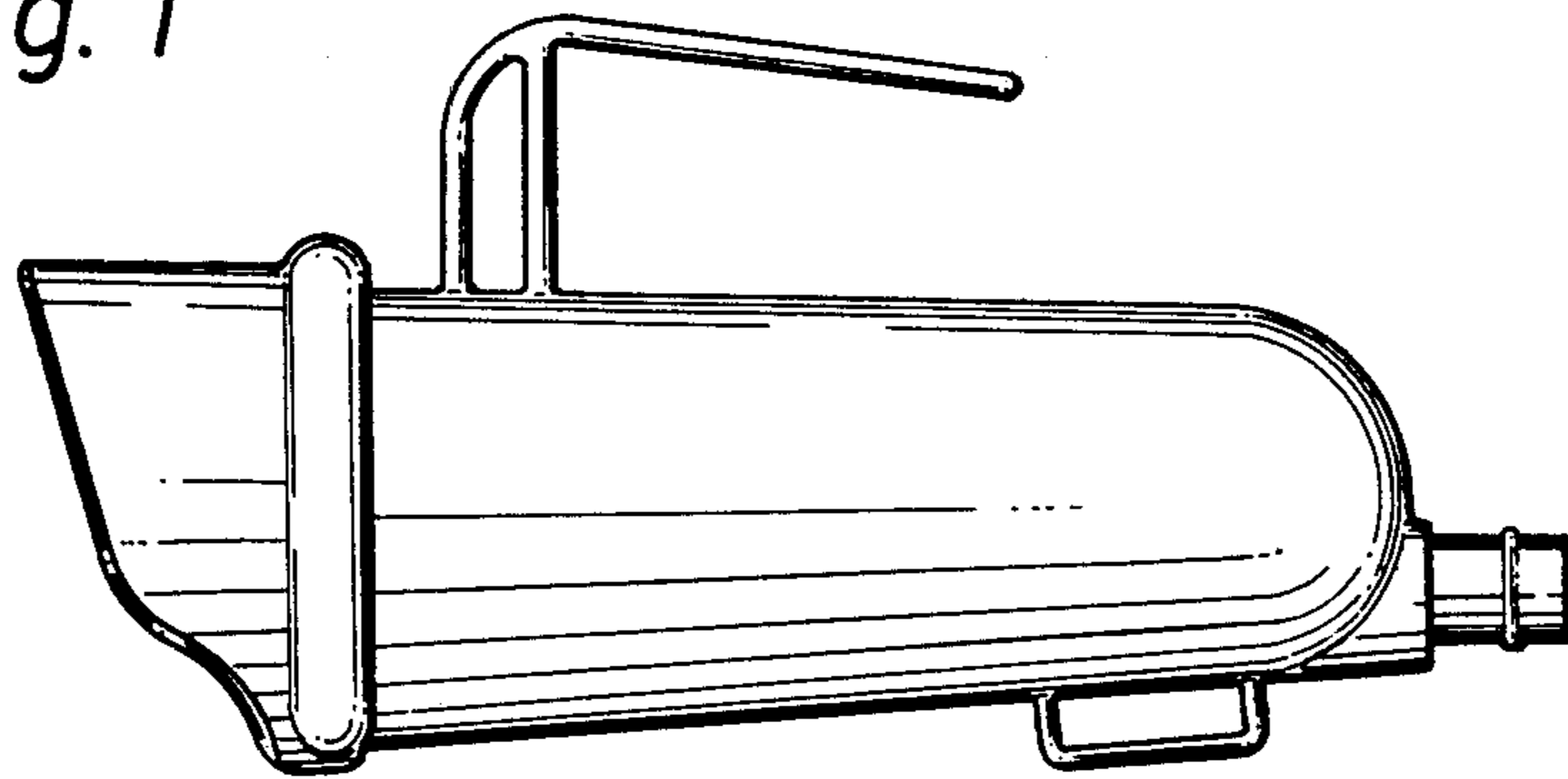


Fig. 2

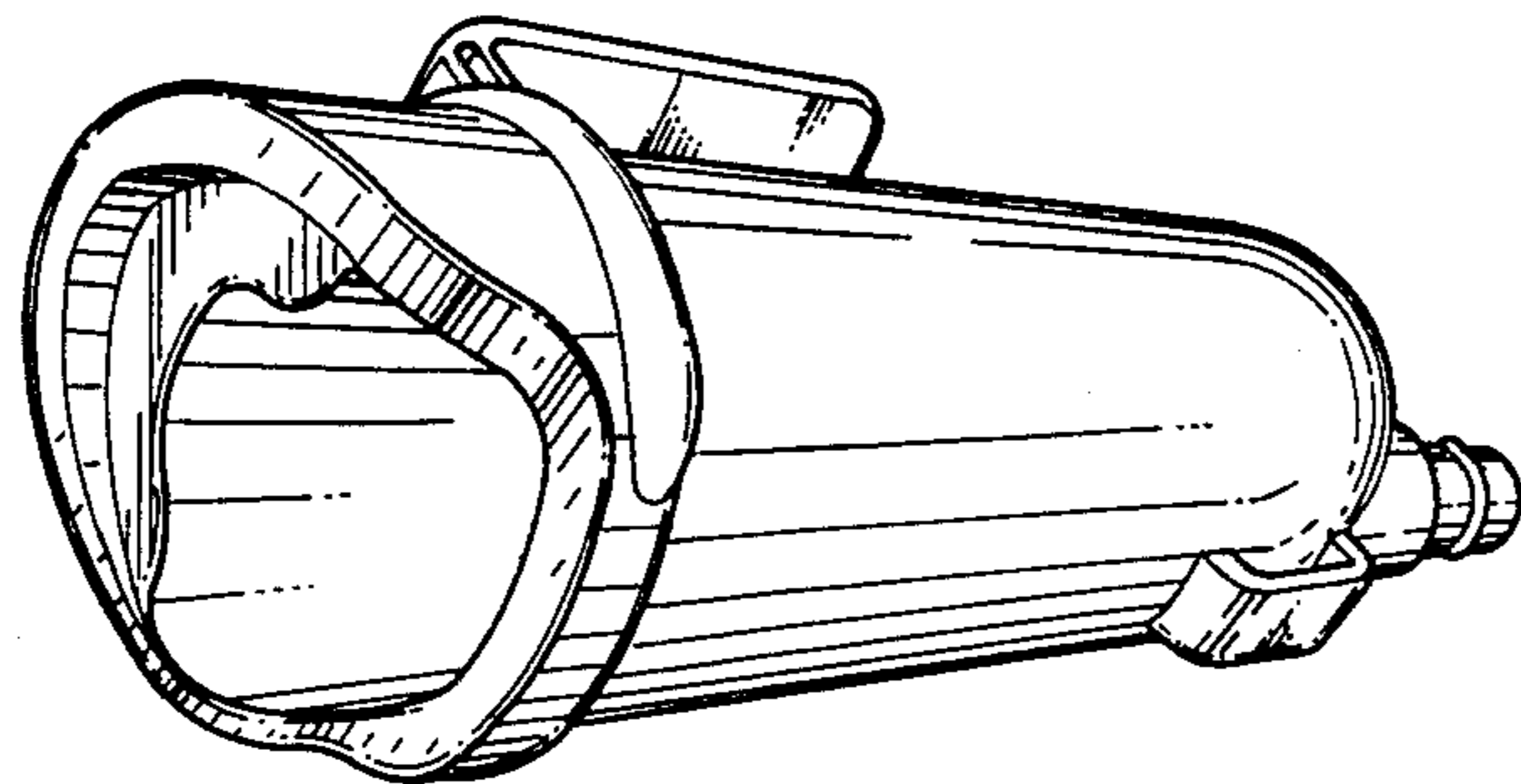


Fig. 3

