

[54] URINARY COLLECTING UNIT

[75] Inventors: Shinroku Nakao, Yokohama;
Yoshiyasu Ishii; Kenshun Ishii, both
of Tokyo, all of Japan

[73] Assignee: Combi Co., Ltd., Tokyo, Japan

[**] Term: 14 Years

[21] Appl. No.: 692,709

[22] Filed: Jun. 4, 1976

[51] Int. Cl. D24-04

[52] U.S. Cl. D24/54; D24/57

[58] Field of Search D24/54, 57; 4/110, 111,
4/112, 113, 114; 128/2 F, 295

D. 212,574 10/1968 Gelak et al. D24/54

D. 213,408 2/1969 Brodsky D24/54

D. 240,083 5/1976 Gregor D24/54

3,479,671 11/1969 Beich 4/110

3,512,185 5/1970 Ellis 4/110

3,929,412 12/1975 Villari 4/110

3,995,329 12/1976 Williams 4/110

Primary Examiner—Bernard Ansher
Attorney, Agent, or Firm—Richard C. Sughrue

[57] CLAIM

The ornamental design for a urinary collecting unit, as shown and described.

DESCRIPTION

FIG. 1 is a side elevation of a urinary collecting unit showing my new design;
FIG. 2 is a top perspective view thereof;
FIG. 3 is a bottom perspective view thereof; and
FIG. 4 is an exploded view of the unit shown for clarity of illustration.

[56] References Cited
U.S. PATENT DOCUMENTS
D. 199,294 9/1964 Hill D24/57 X

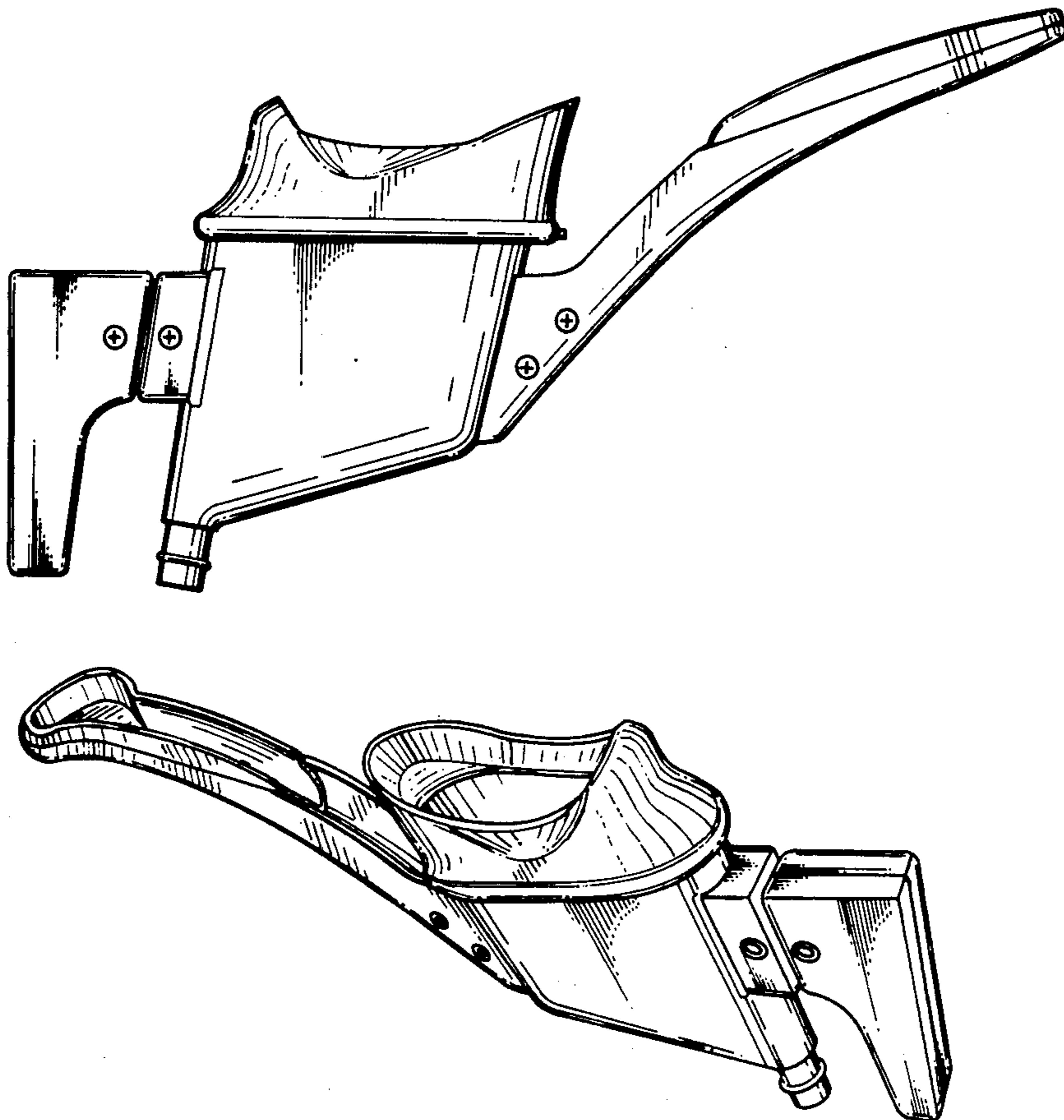


Fig. 1

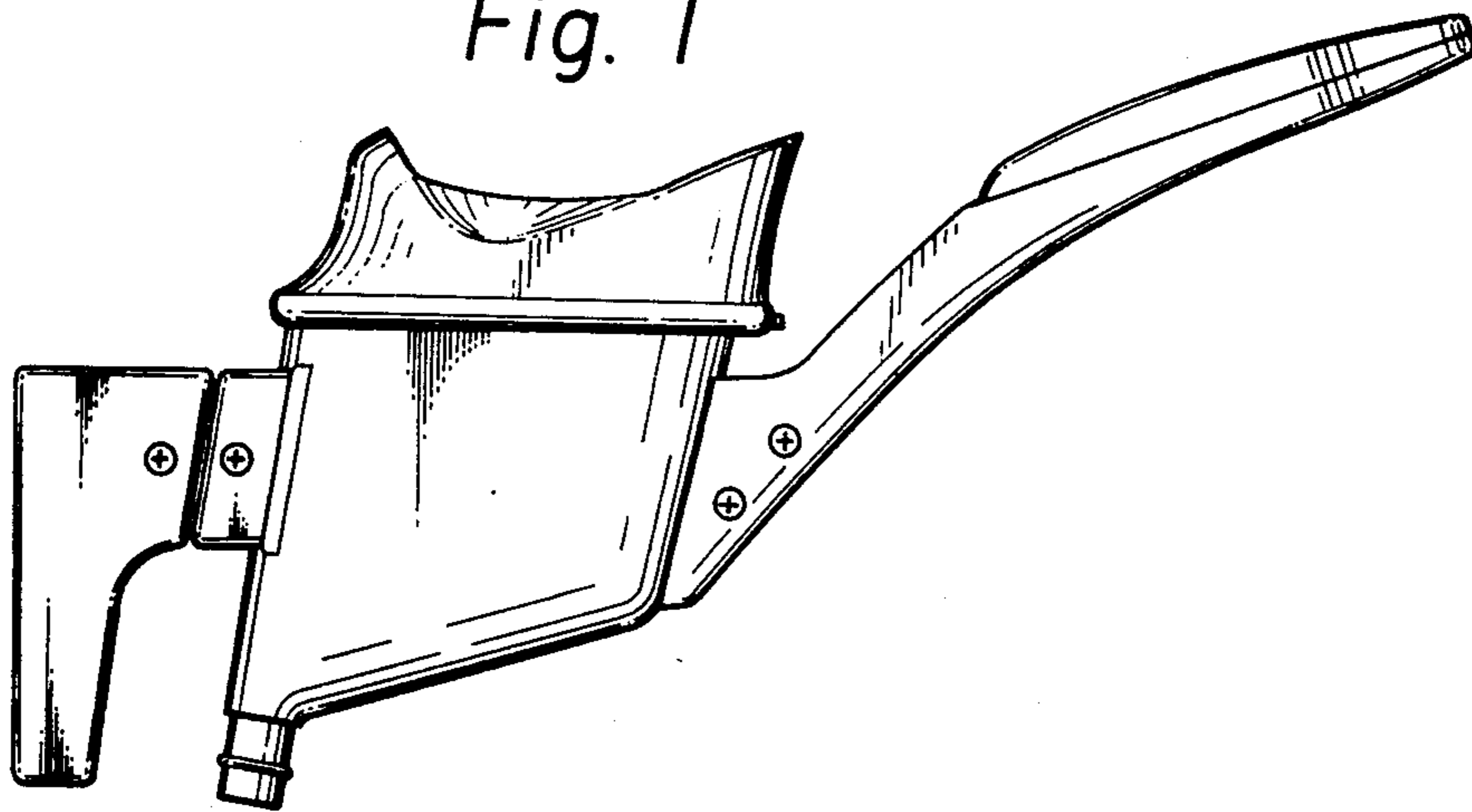


Fig. 2

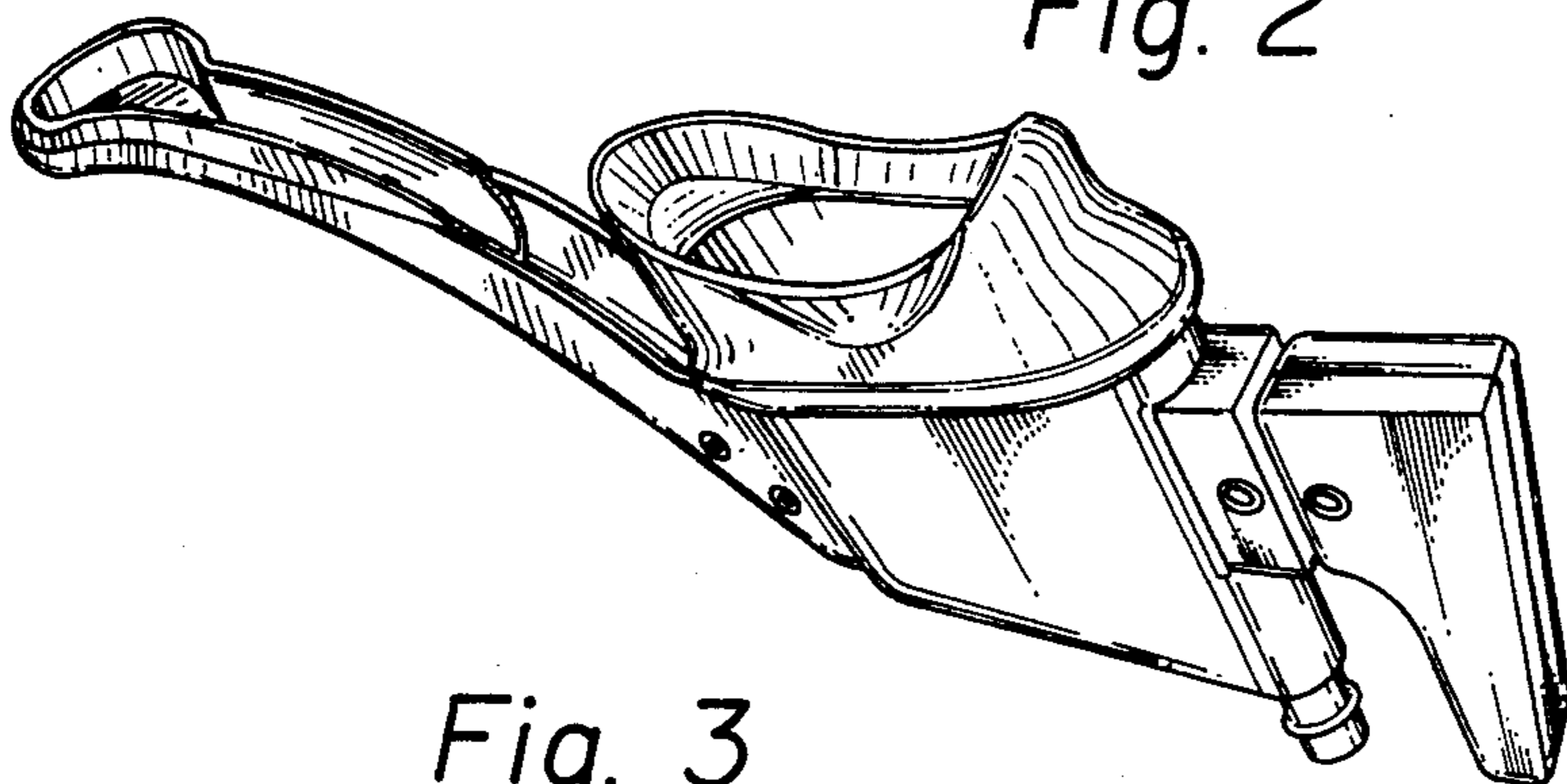


Fig. 3

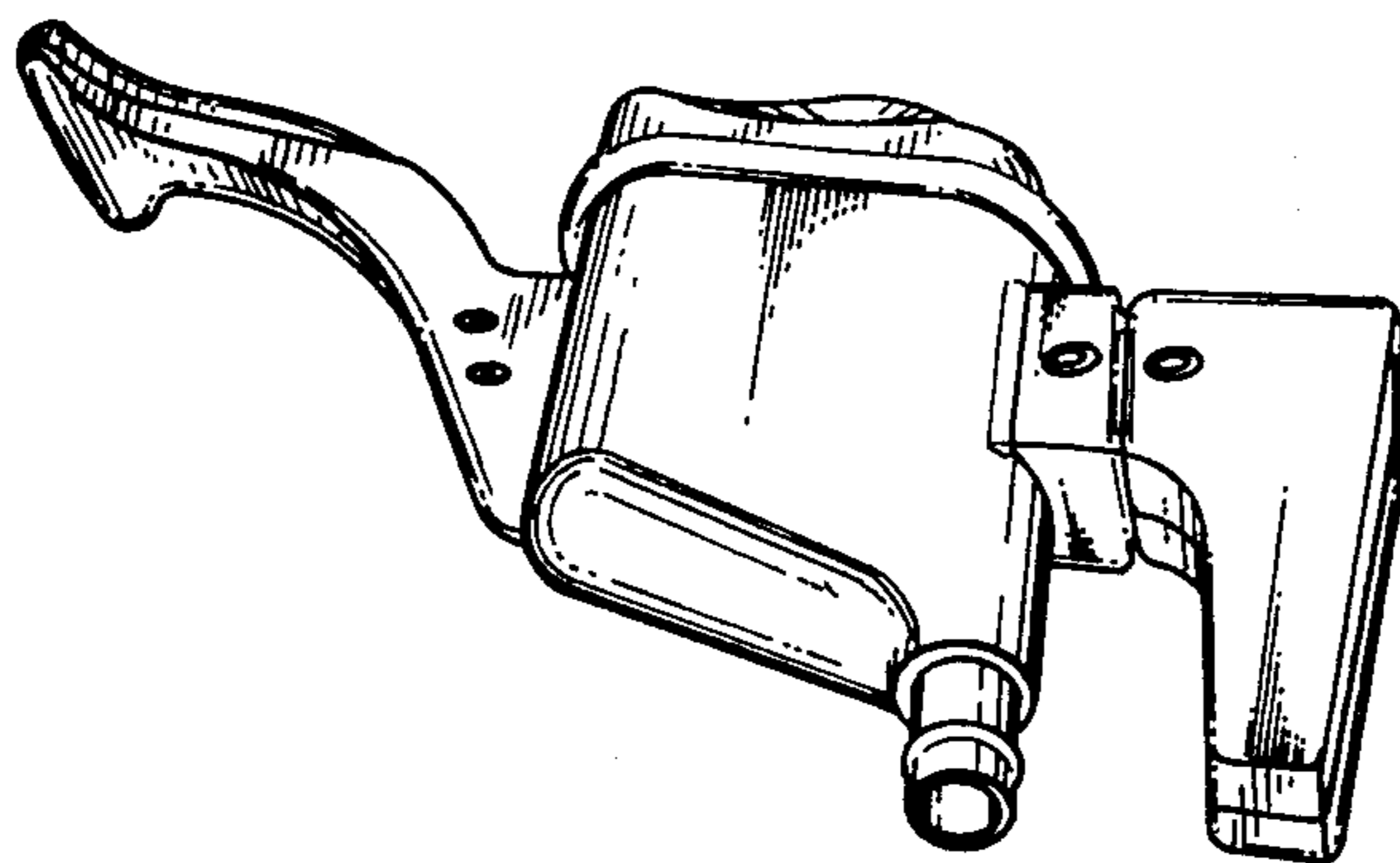


Fig. 4

