

[54] BLOOD PROCESSING APPARATUS

[76] Inventors: Daniel Ashcraft, 110 S. Juanita, Redondo Beach, Calif. 90277; James G. Bruni, 736-B Center Pl., Manhattan Beach, Calif. 90266; Stephen G. Hauser, 4133 Aleman Dr., Tarzana, Calif. 91356; Keith S. Keith, 1419 W. 148th St., Gardena, Calif. 90247

[**] Term: 14 Years

[21] Appl. No.: 705,983

[22] Filed: Jul. 16, 1976

[51] Int. Cl. D24-01

[52] U.S. Cl. D24/1.1; D24/21

[58] Field of Search 128/214; 210/321 R, 210/321 A, 321 B; D24/1.1, 21

[56] References Cited

U.S. PATENT DOCUMENTS

D. 216,848	3/1970	Carsello	D24/1.1
D. 219,565	12/1970	Pecker et al.	D24/1.1
D. 234,639	3/1975	Schmidt	D24/1.1
D. 234,878	4/1975	Sikes	D24/1.1
3,072,259	1/1963	Isreeli	210/321 A X
3,956,449	5/1976	Wexler et al.	210/321 A X

Primary Examiner—Bernard Ansher
Attorney, Agent, or Firm—Richard G. Kinney

[57] CLAIM

The ornamental design for a blood processing apparatus, as shown.

DESCRIPTION

FIG. 1 is a front perspective view of a blood processing apparatus showing our new design; FIG. 2 is a front elevation thereof; FIG. 3 is a left side elevation thereof; FIG. 4 is a top plan view thereof; FIG. 5 is a rear elevation thereof; and FIG. 6 is a right side elevation thereof.

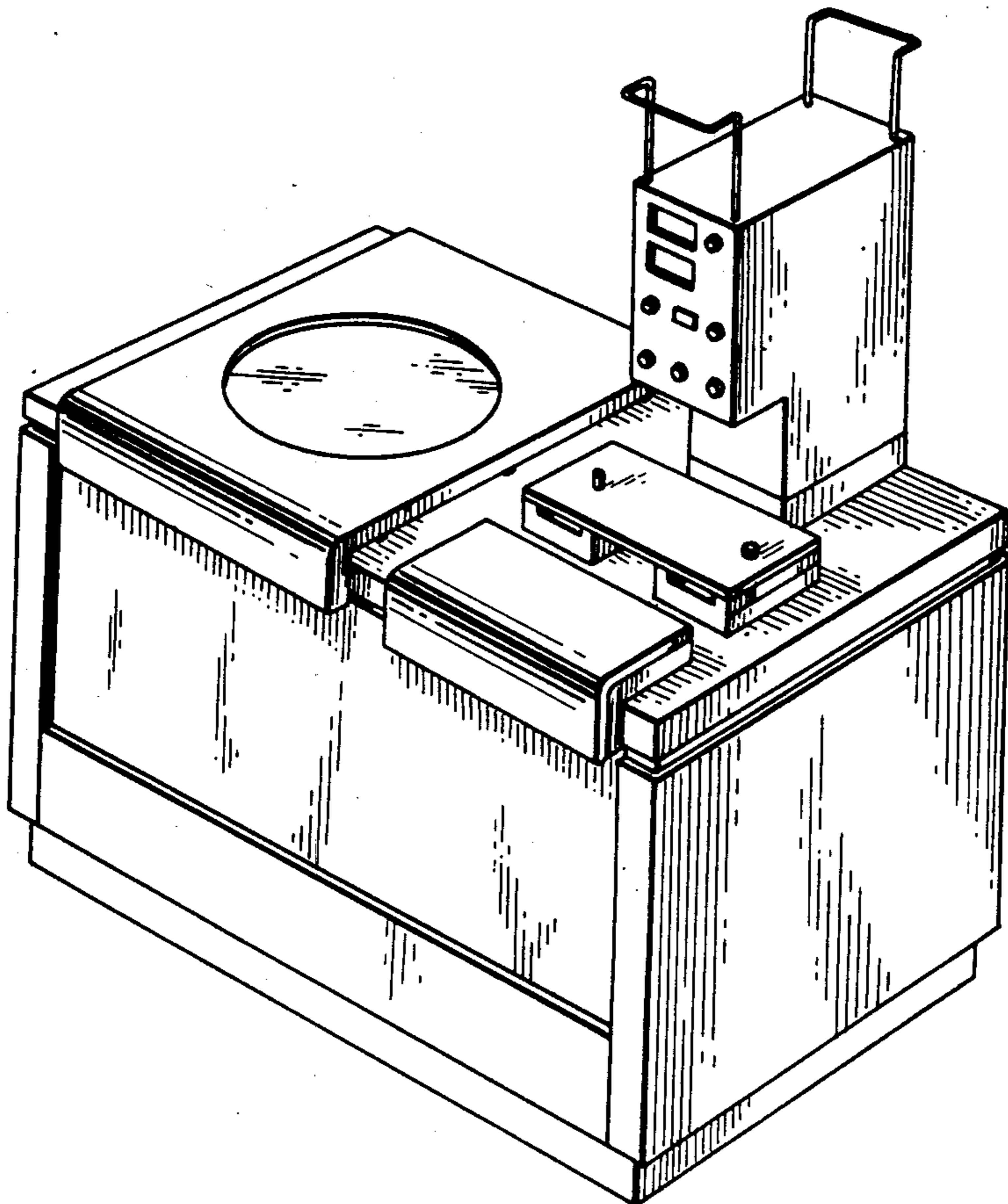


FIG. 1

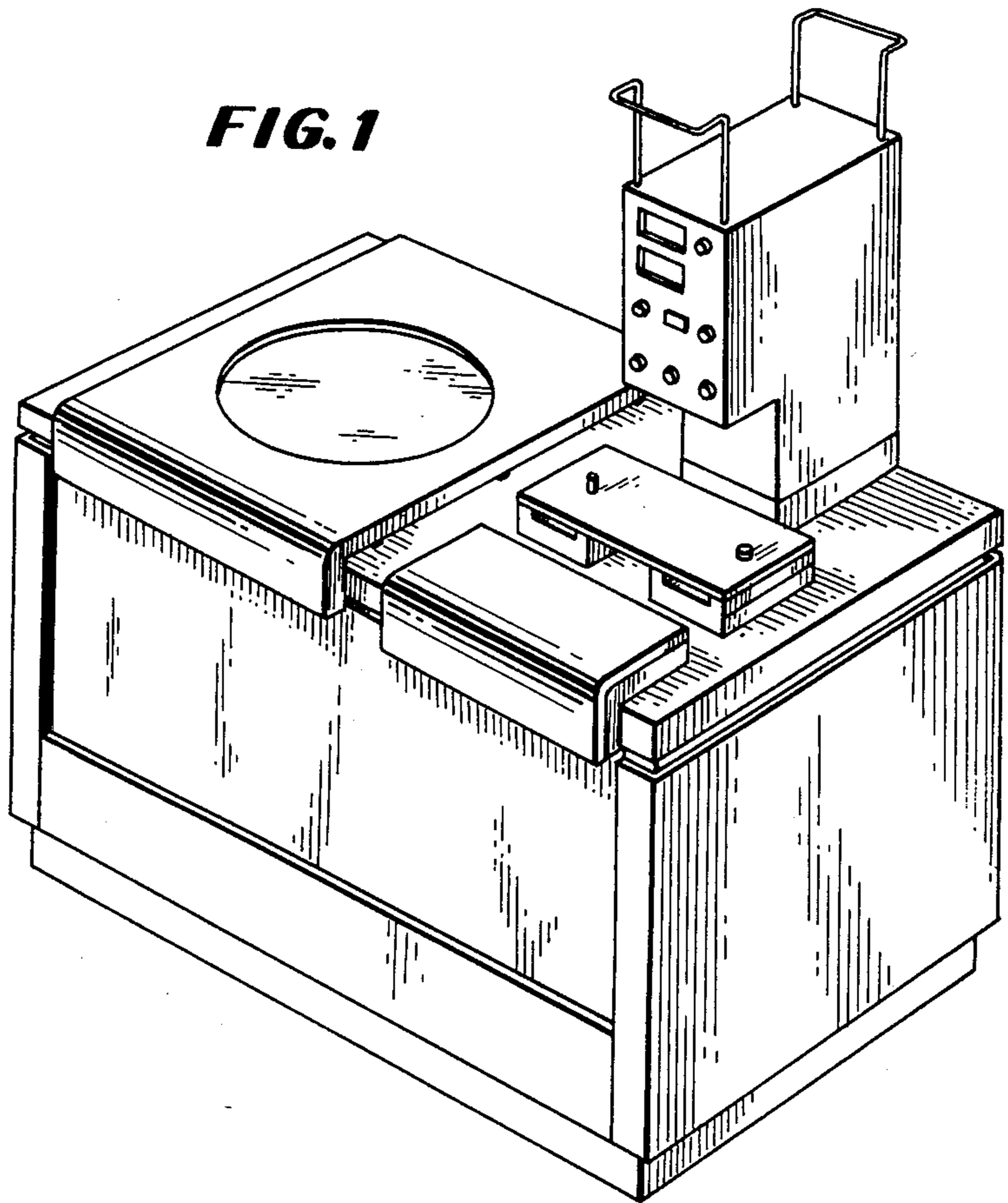


FIG. 2

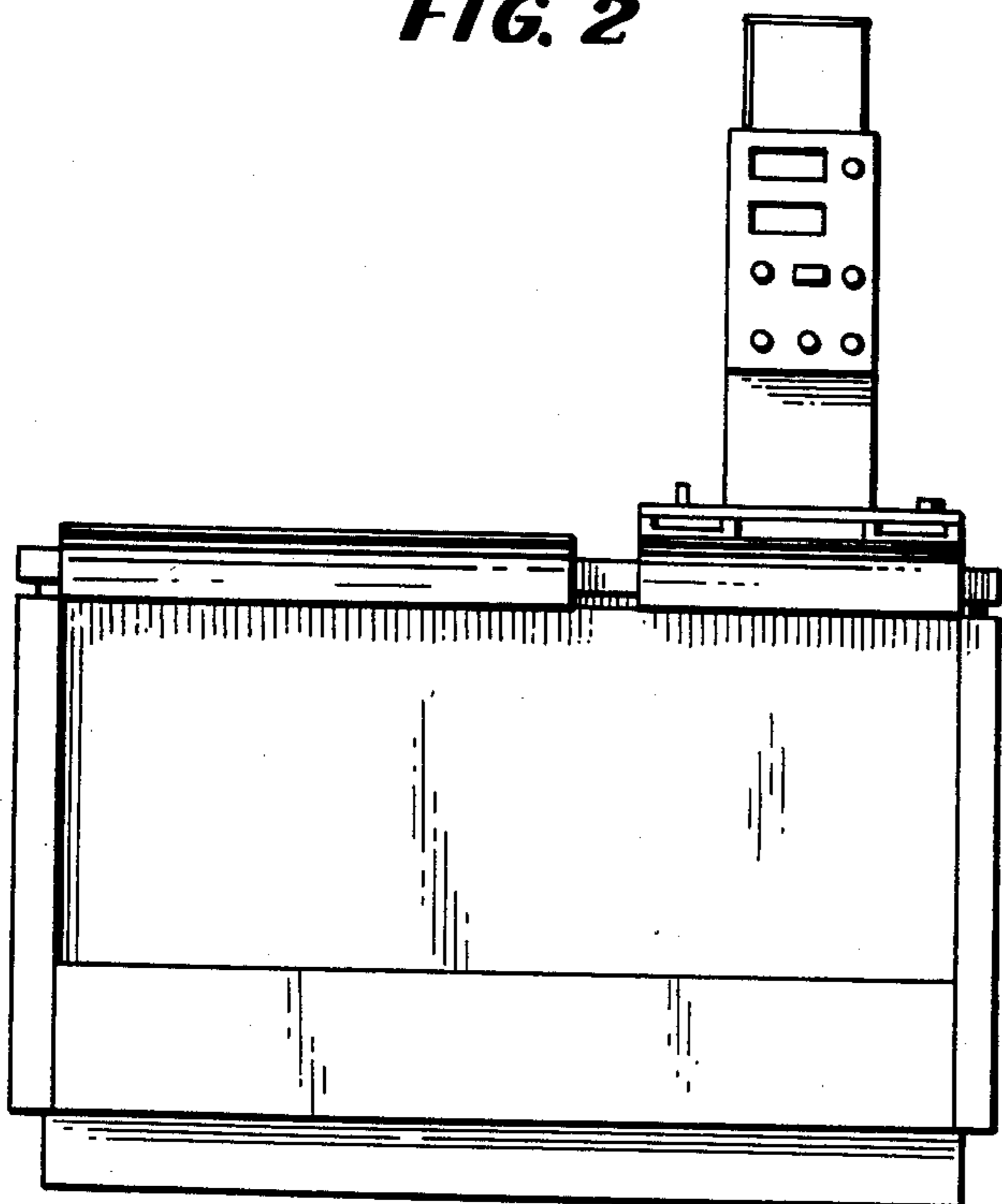


FIG. 3

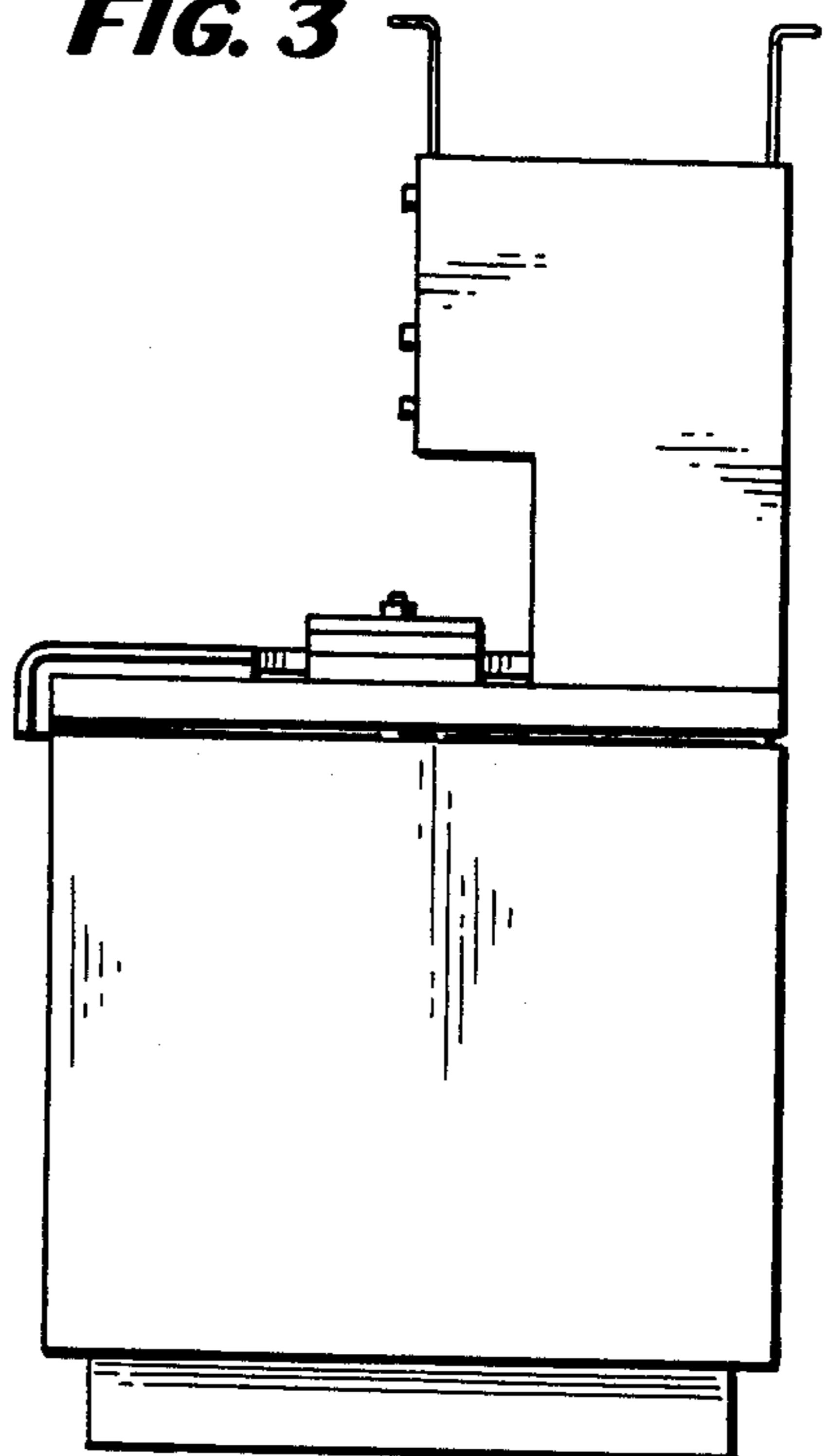


FIG. 4

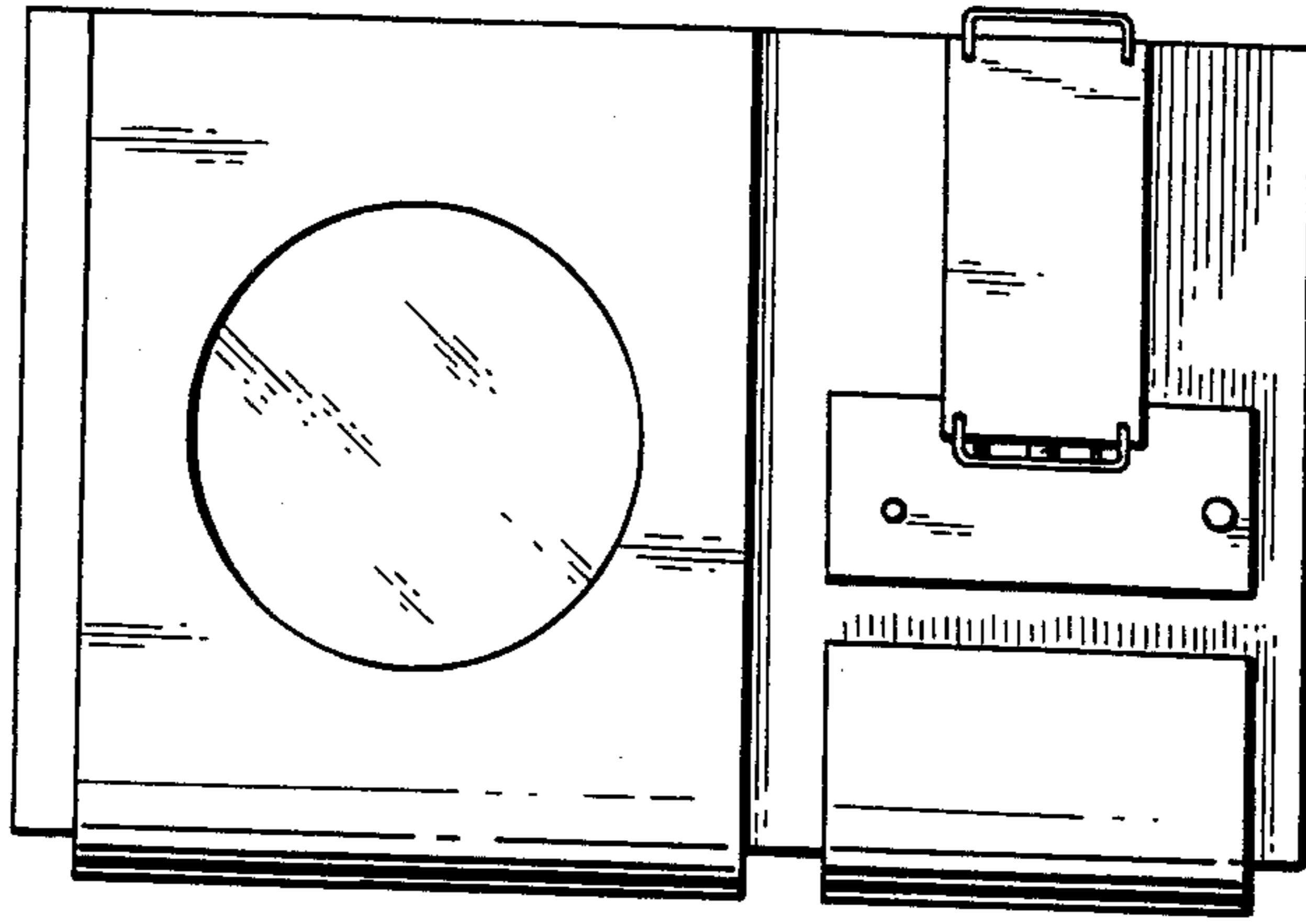


FIG. 5

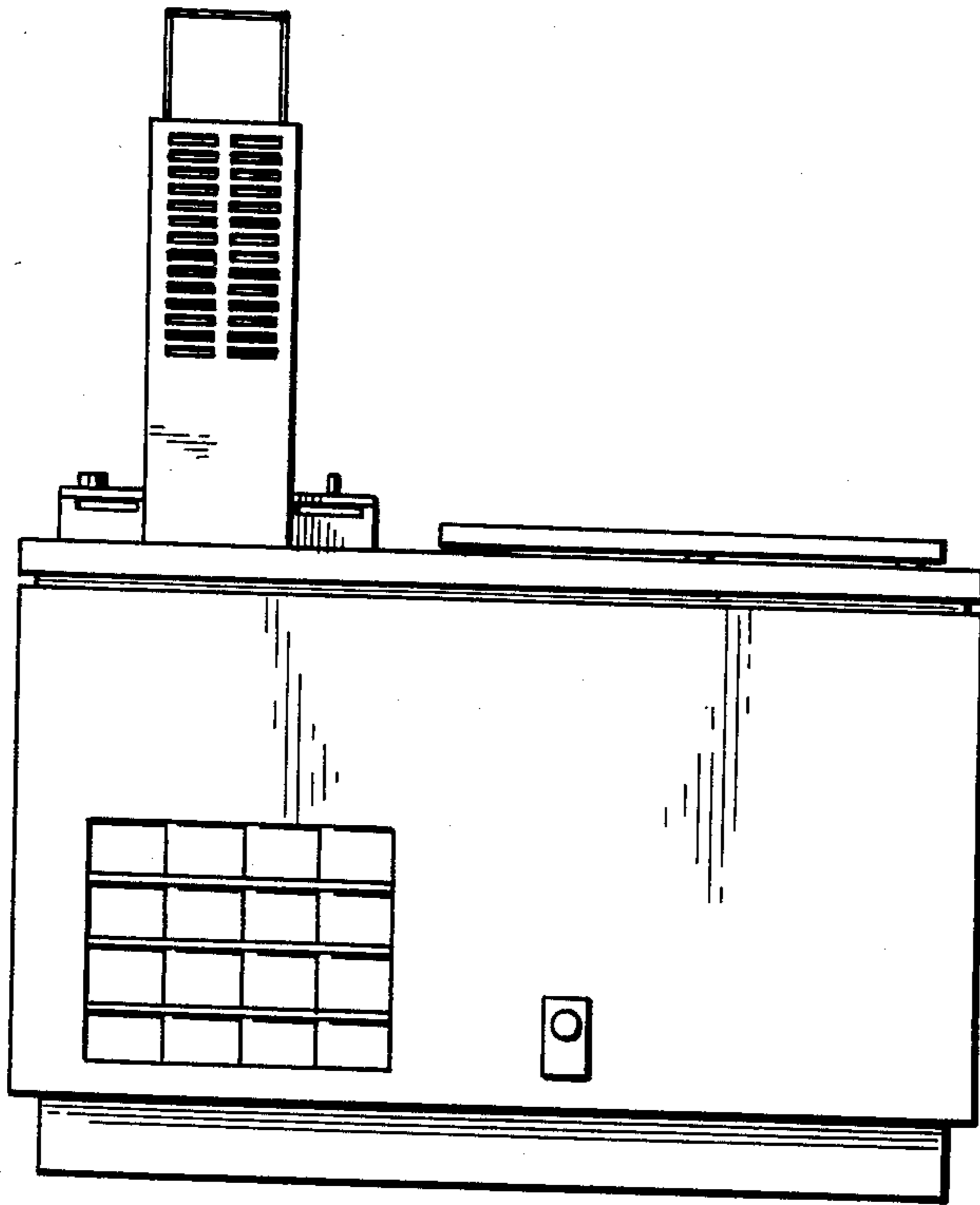


FIG. 6

