

[54] DOCUMENT HANGER

[76] Inventors: Abram G. Elias, 1527 Greg St., Sparks, Nev. 89431; Peter G. Elias, 6 Wedgewood Dr., Winnipeg, Manitoba, Canada, R3T 2J8

[\*\*] Term: 14 Years

[21] Appl. No.: 619,568

[22] Filed: Oct. 6, 1975

[51] Int. Cl. .... D19-02

[52] U.S. Cl. .... D19/91

[58] Field of Search ..... D19/90-91; 24/67.1-67.5; 211/50; 25/74; 281/45; 402/69; D8/361, 362, 373; D6/114

[56]

References Cited

U.S. PATENT DOCUMENTS

D. 203,337	12/1965	Gaither .....	D25/74
1,757,705	5/1930	Lisle .....	24/67.1
2,311,245	2/1943	Pearl .....	24/67.1
3,168,954	2/1965	Herrmann .....	D19/91
3,308,831	3/1967	Kritske .....	24/67.1
3,364,528	1/1968	Fletcher .....	24/67.1

Primary Examiner—Joel Stearman  
Assistant Examiner—George P. Word  
Attorney, Agent, or Firm—Thomas E. Schatzel

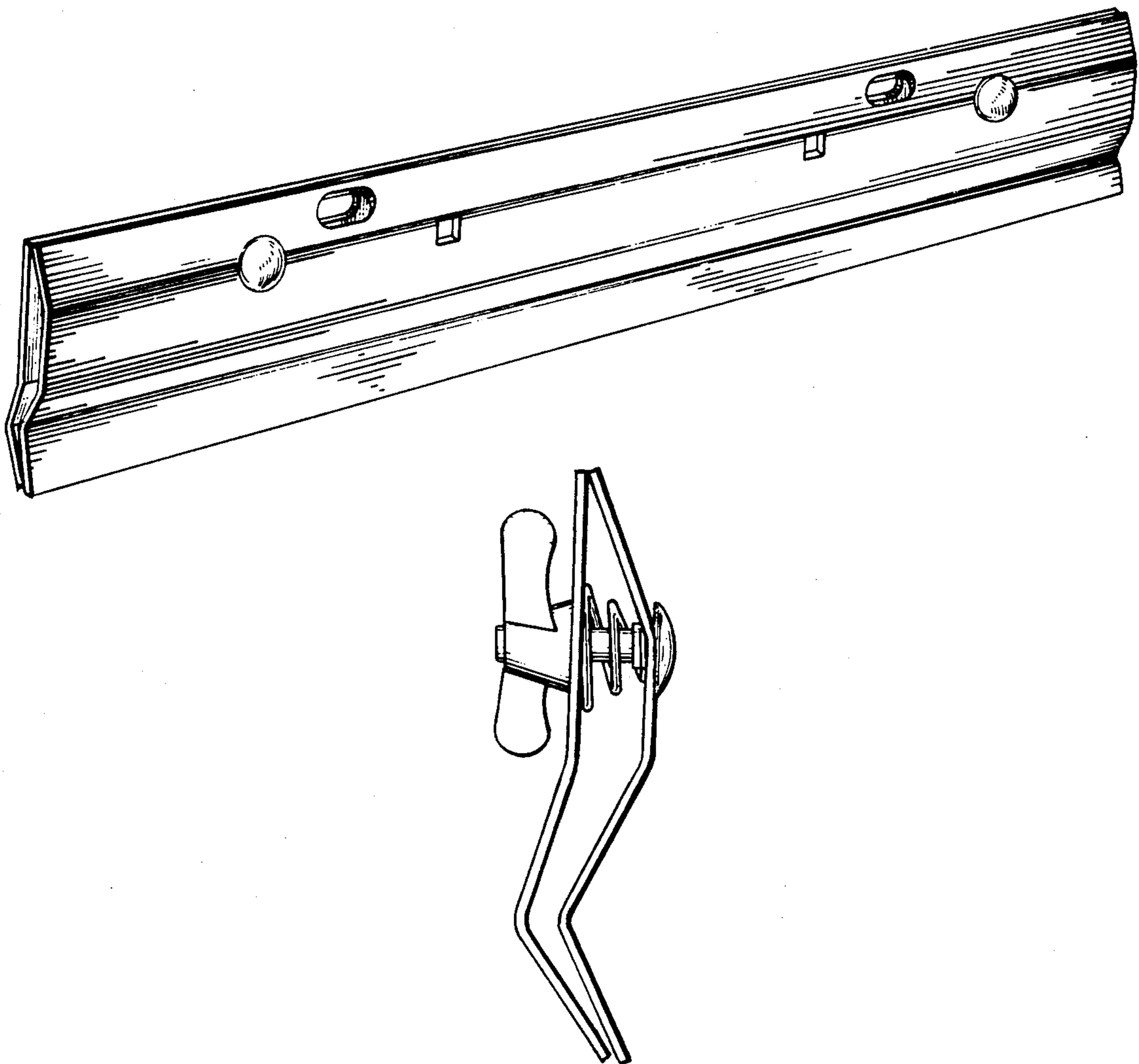
[57]

CLAIM

The ornamental design for a document hanger, substantially as shown and described.

DESCRIPTION

FIG. 1 is a perspective view of a document hanger showing our new design; FIG. 2 is a rear elevational view thereof; and FIG. 3 is an enlarged scale left end elevational view thereof.



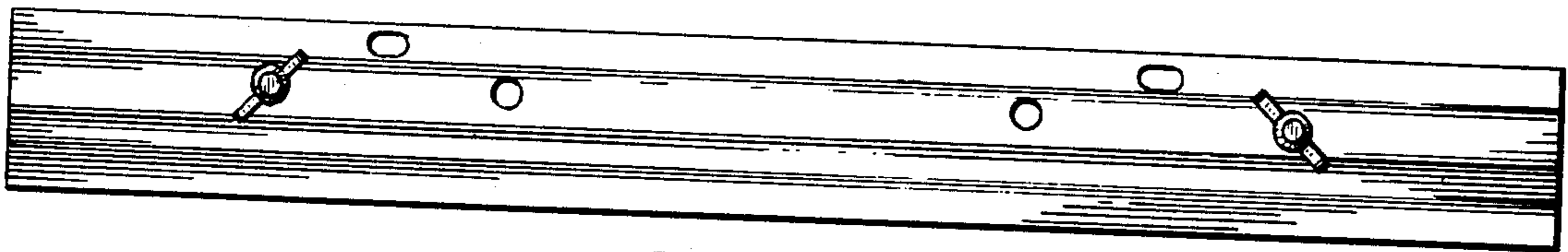
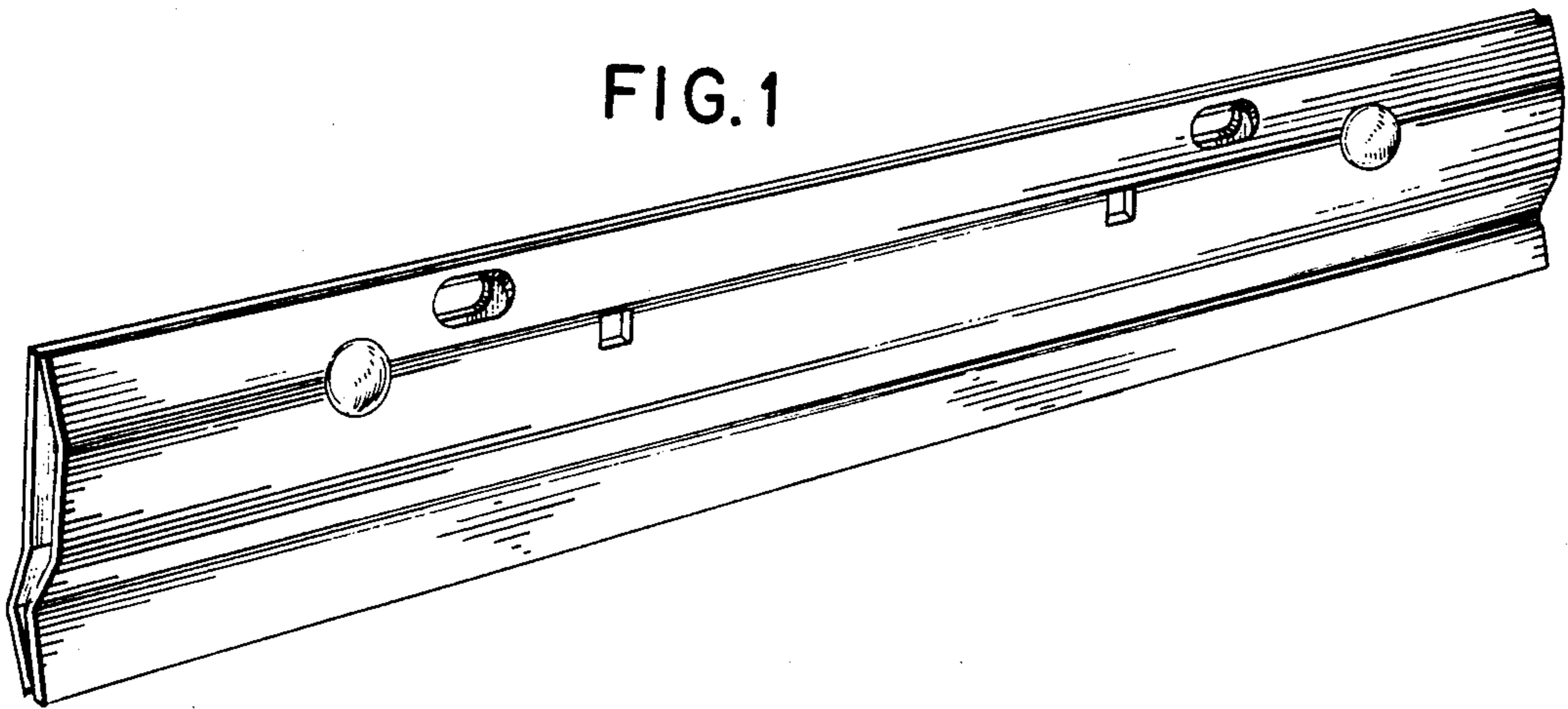


FIG. 2

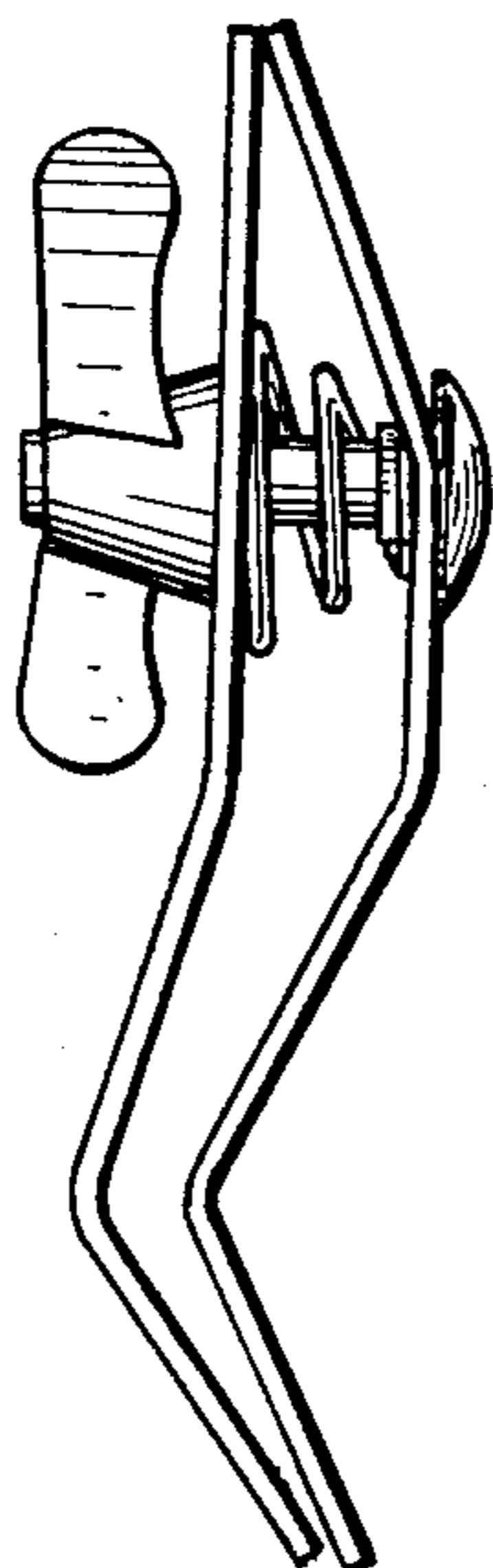


FIG. 3