

[54] **FOUNDRY RISER SLEEVE**

[75] **Inventor:** Tony William Bastock, Sandbach, England

[73] **Assignee:** Foseco International Limited

[**] **Term:** 14 Years

[21] **Appl. No.:** 806,164

[22] **Filed:** Jun. 13, 1977

[30] **Foreign Application Priority Data**

Feb. 3, 1977 [GB] United Kingdom 978748/77

[51] **Int. Cl.** **D15-09**

[52] **U.S. Cl.** **D15/135**

[58] **Field of Search** D15/135, 144, 199;
164/360, 359

[56] **References Cited**

U.S. PATENT DOCUMENTS

3,602,292 8/1971 Baur 164/360

FOREIGN PATENT DOCUMENTS

1,433,938 10/1968 Fed. Rep. of Germany 164/359

Primary Examiner—Alan P. Douglas

Attorney, Agent, or Firm—John W. Malley

[57] **CLAIM**

The ornamental design for a foundry riser sleeve, as shown.

DESCRIPTION

FIG. 1 is a perspective view of the foundry riser sleeve of my new design;

FIG. 2 is a side elevation view thereof;

FIG. 3 is a front elevation view thereof; and

FIG. 4 is a bottom plan view thereof.

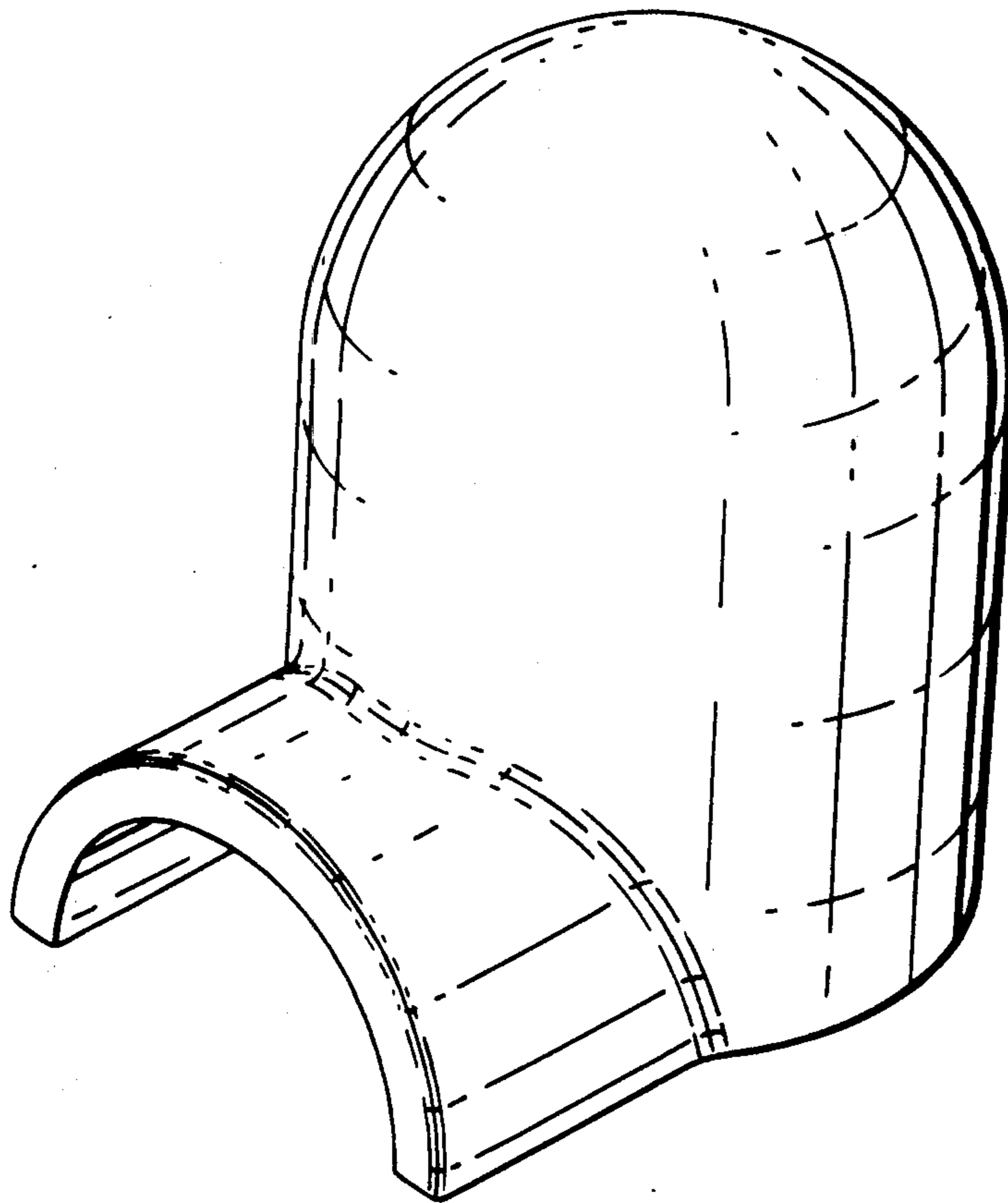


FIG.1.

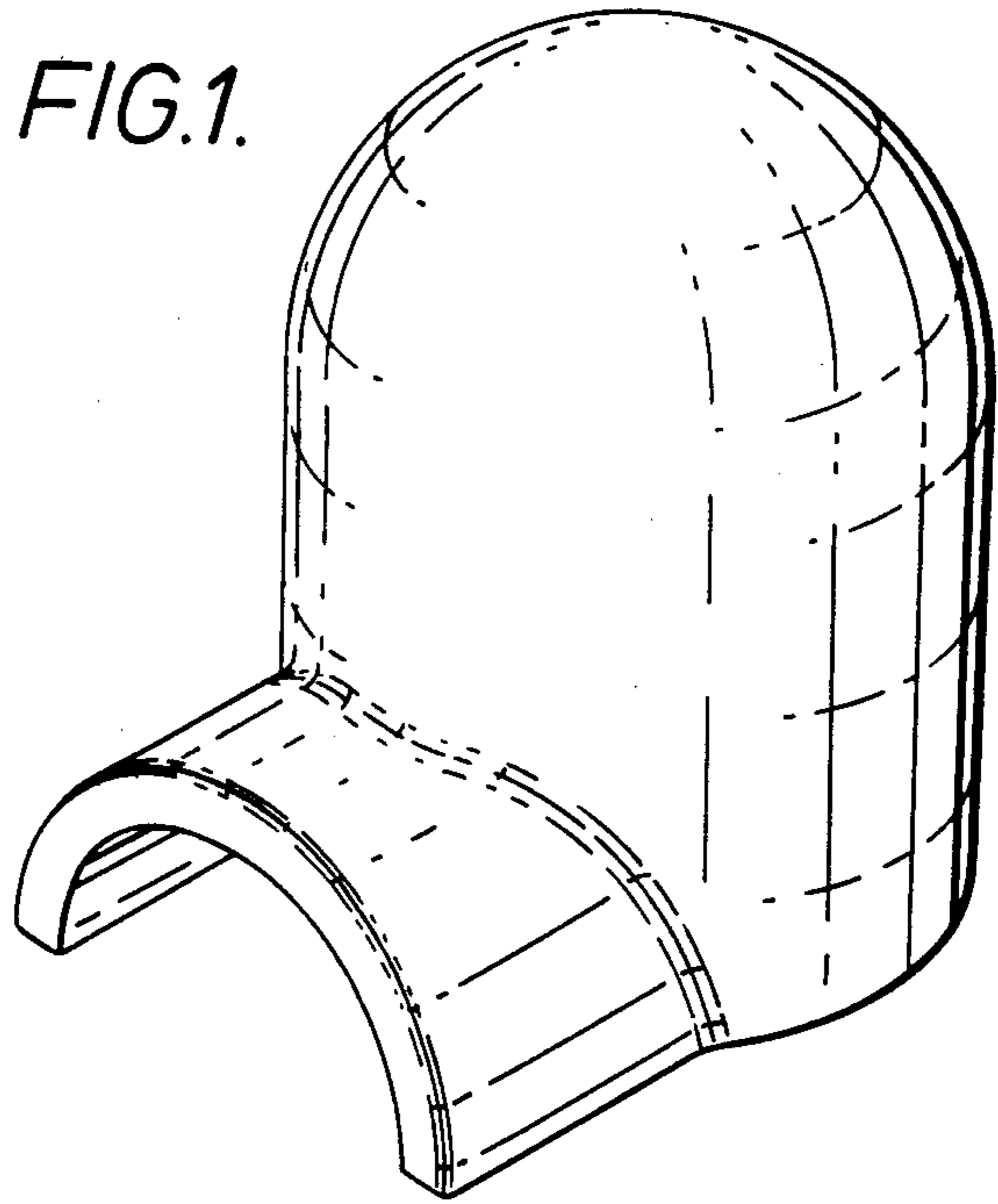


FIG.2.

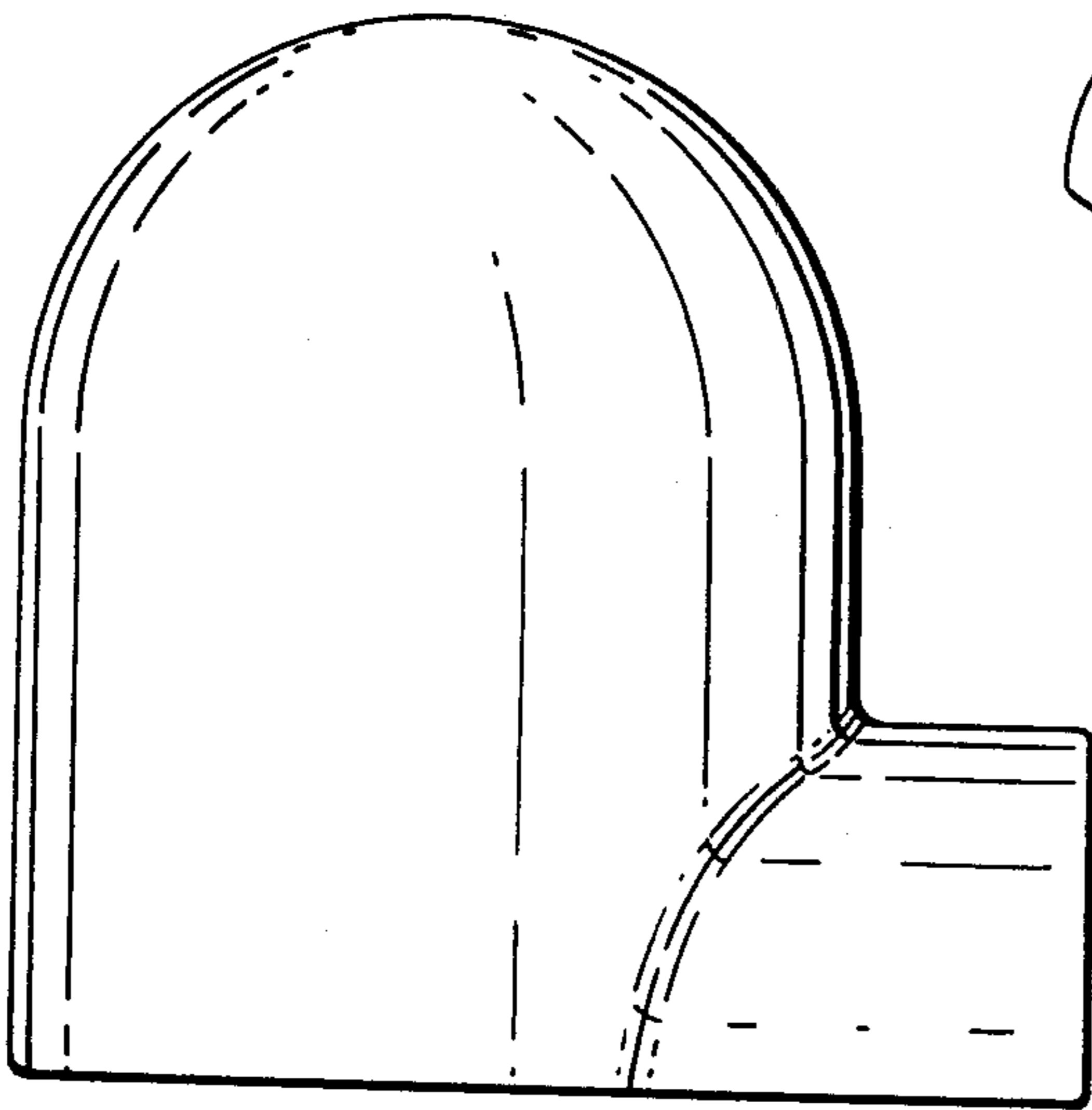


FIG.3.

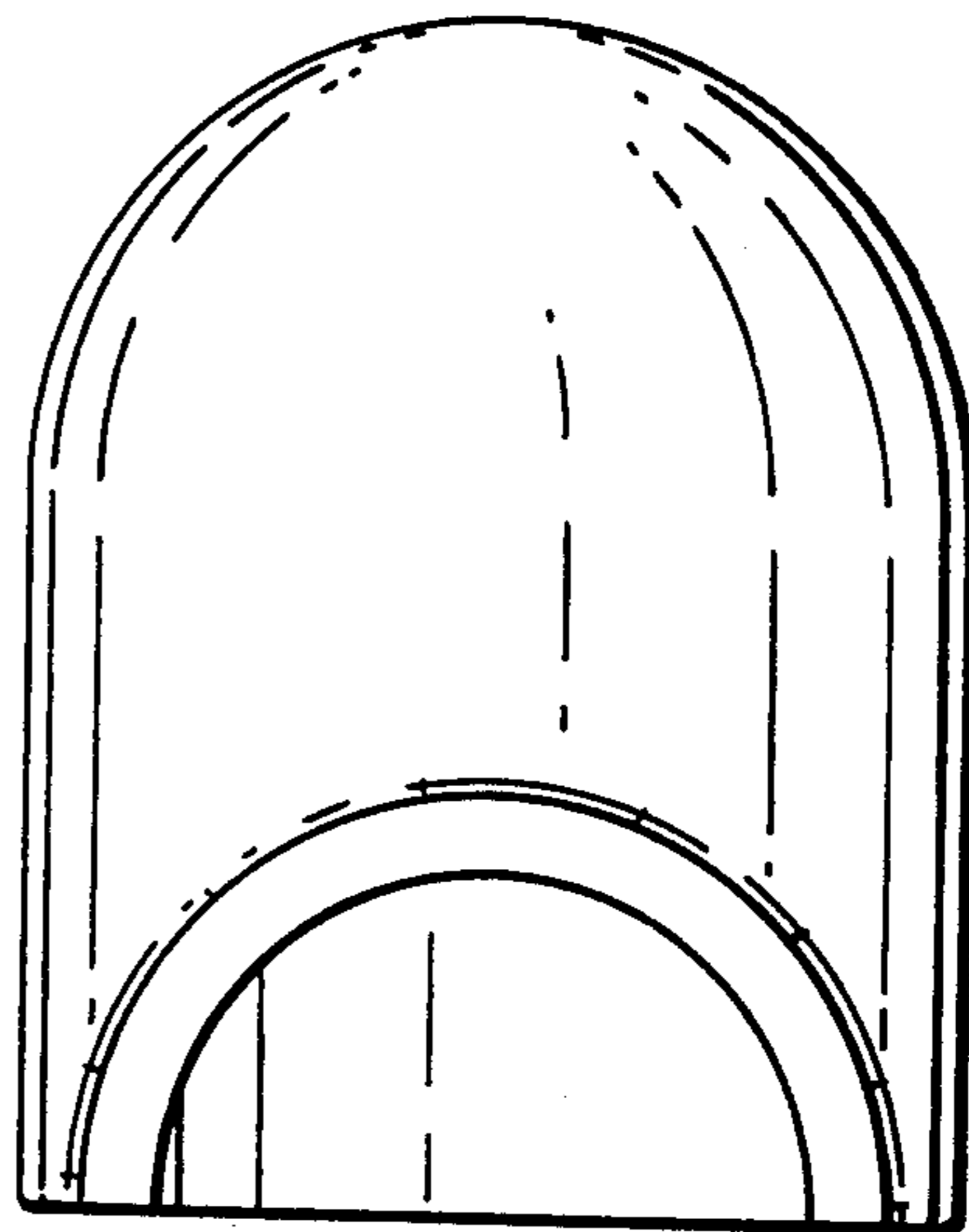


FIG.4.

