

[54] **SUCTION NOZZLE**

[75] **Inventor:** Julian R. Haynes, Hinsdale, Ill.

[73] **Assignee:** Sunbeam Corporation, Chicago, Ill.

[**] **Term:** 14 Years

[21] **Appl. No.:** 704,161

[22] **Filed:** Jul. 12, 1976

[51] **Int. Cl.** D15-05

[52] **U.S. Cl.** D15/63

[58] **Field of Search** D15/52-55,
D15/62-64; 15/300 R, 319, 323, 324, 325, 326,
327 R, 327 D, 327 E, 344, 347, 354, 363, 415,
416, 417, 418, 419, 420, 421, 422

[56] **References Cited**

U.S. PATENT DOCUMENTS

D. 222,631 11/1971 Gaudry D15/64

Primary Examiner—Wallace R. Burke
Assistant Examiner—Catherine Kemper
Attorney, Agent, or Firm—George R. Clark

[57] **CLAIM**

The ornamental design for a suction nozzle, as shown and described.

DESCRIPTION

FIG. 1 is a perspective view of a suction nozzle embodying my new design;

FIG. 2 is a side elevational view thereof shown on a larger scale;

FIG. 3 is a top plan view thereof;

FIG. 4 is a front end view thereof; and

FIG. 5 is a rear end elevational view thereof.

The bottom surface of the suction nozzle is substantially planar and unornamented.

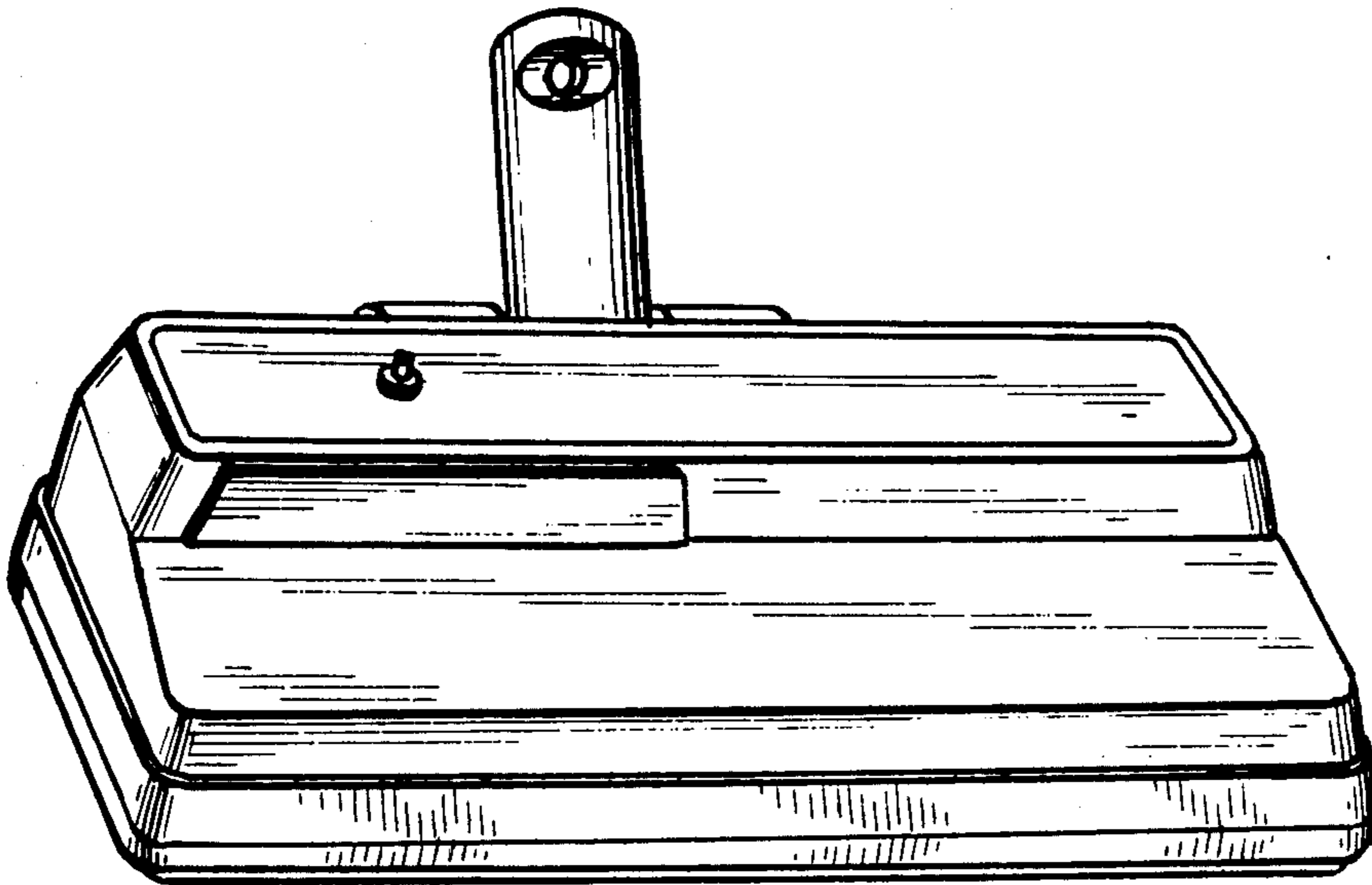


Fig. 1.

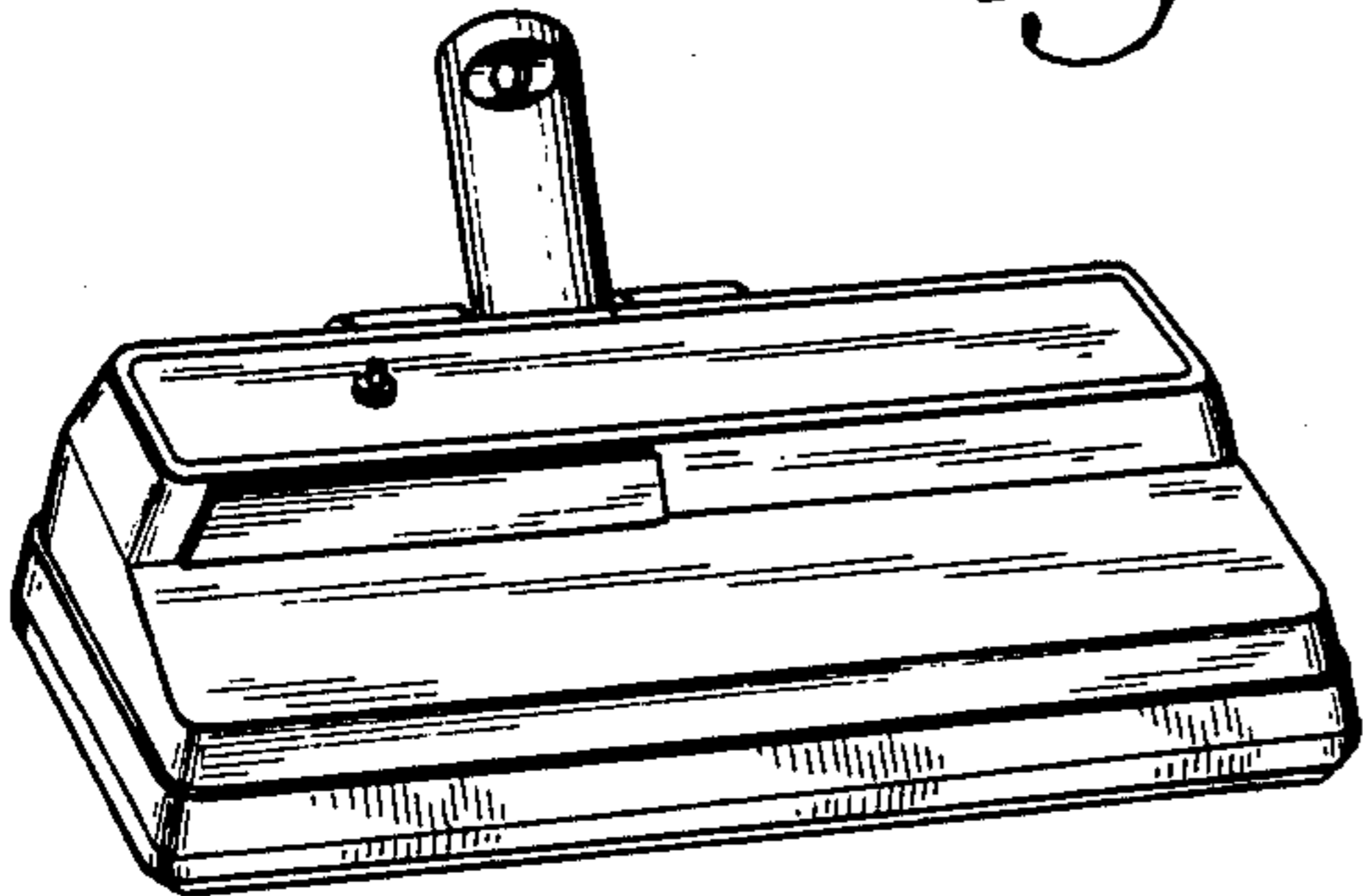


Fig. 2.

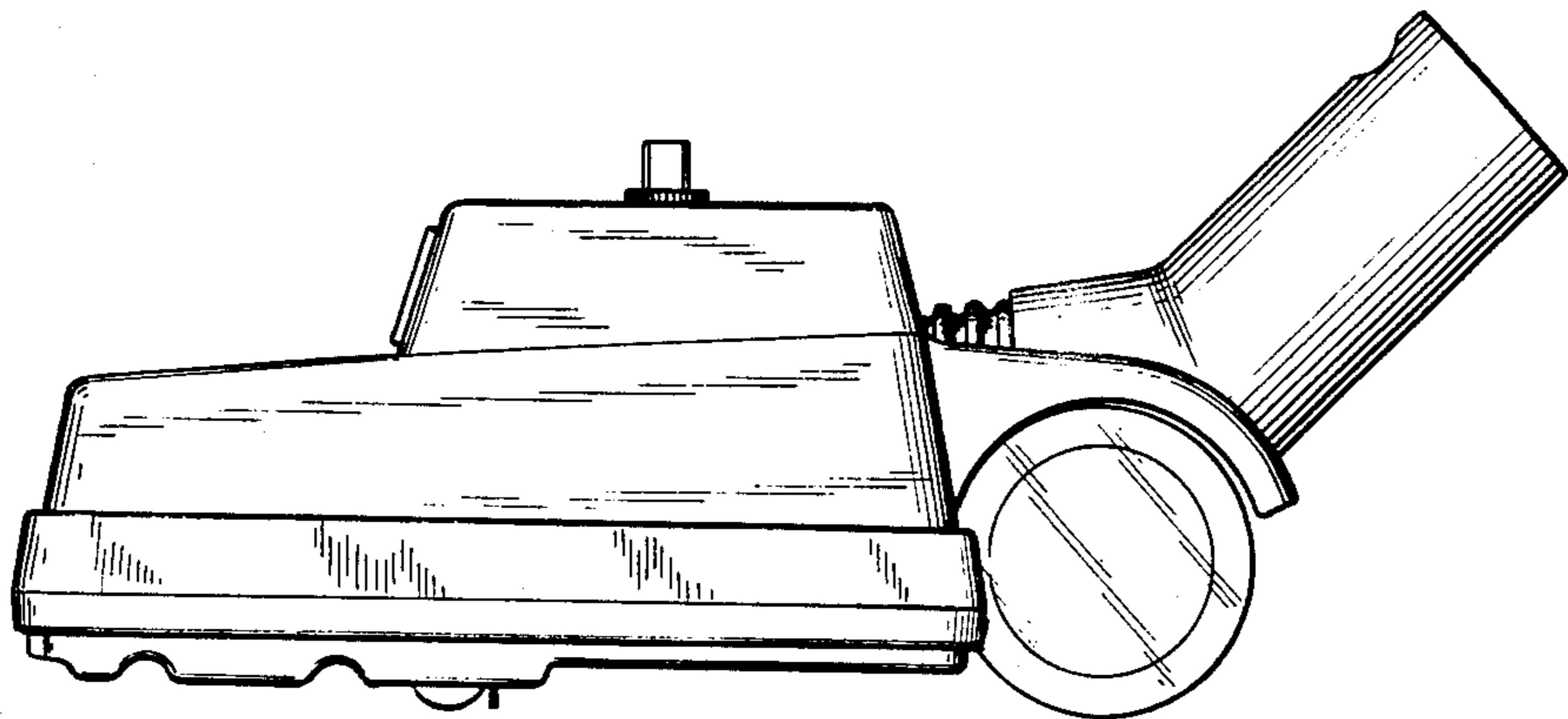


Fig. 3.

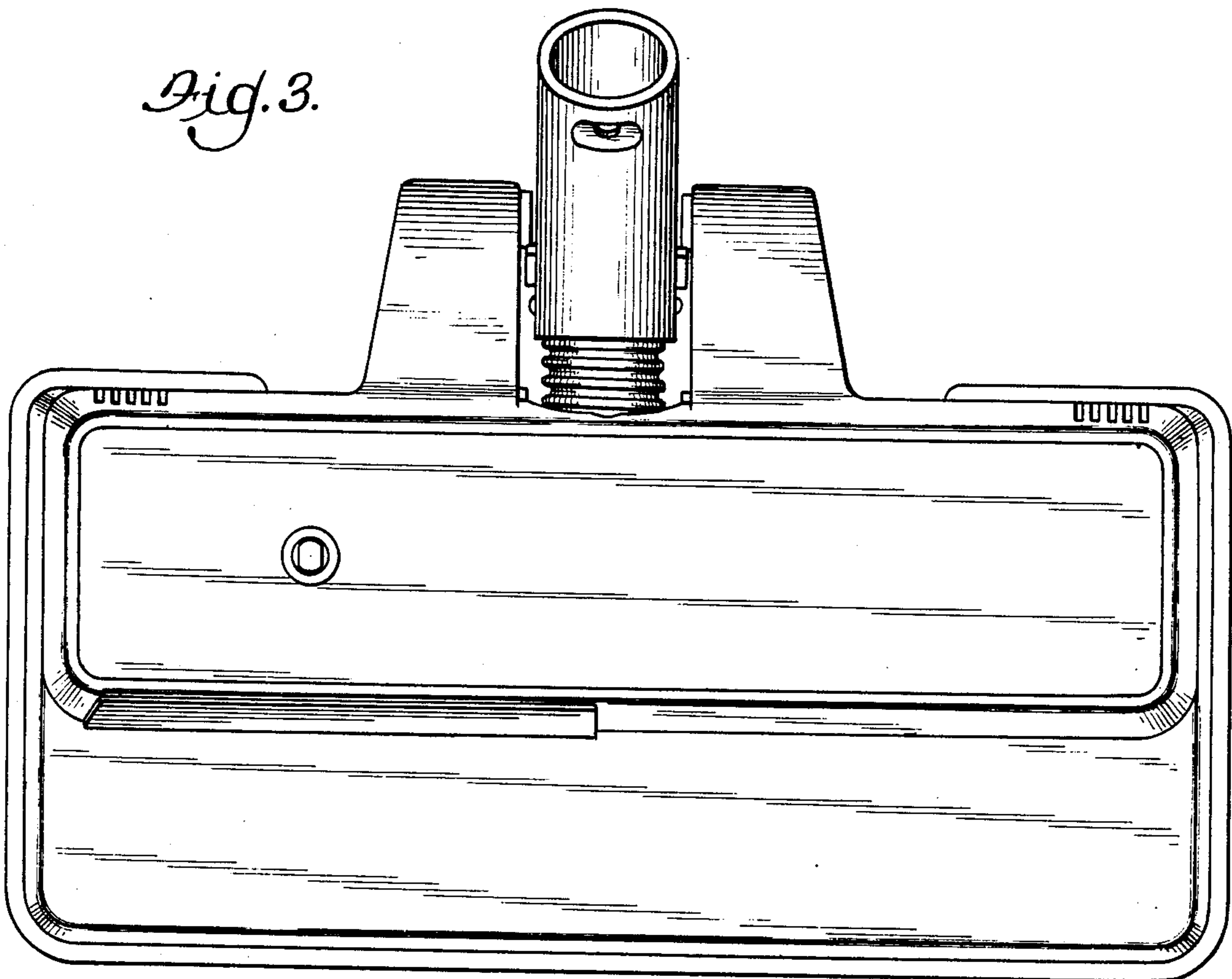


Fig. 4.

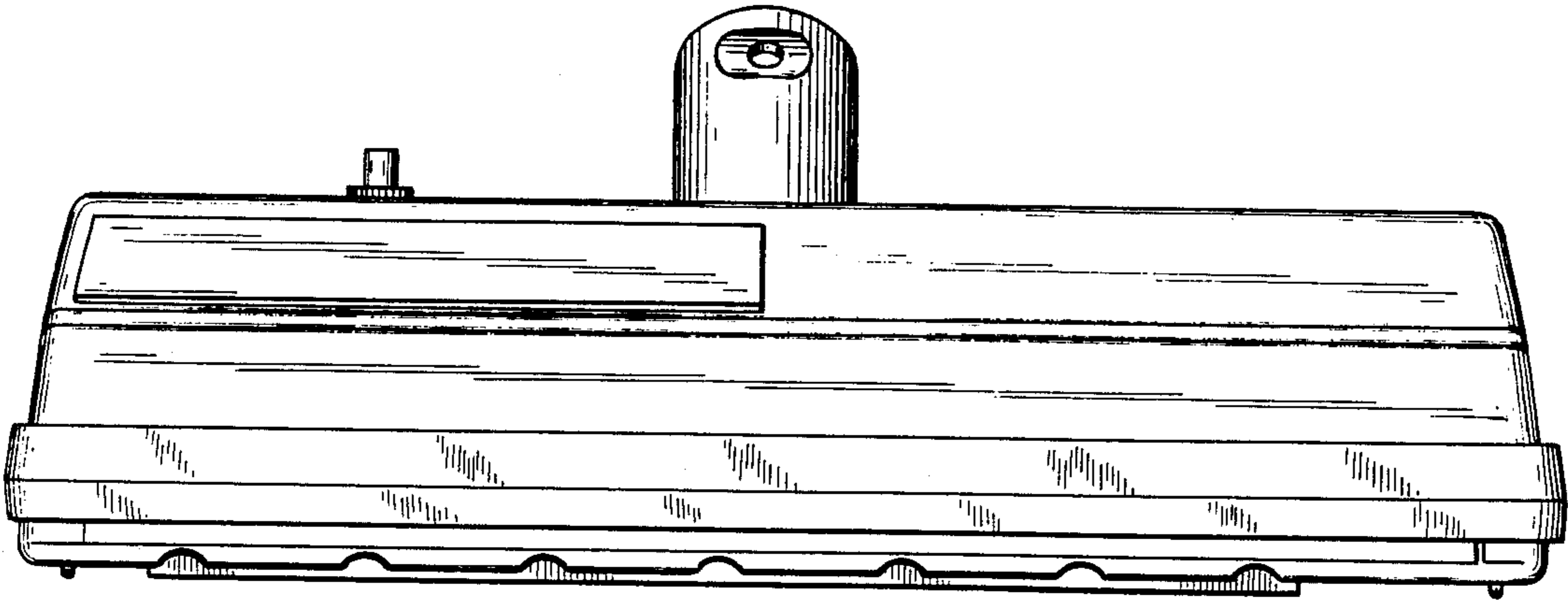


Fig. 5.

