

[54] **MOWING DISK**

[75] Inventors: **Pieter Adriaan Oosterling; Hendricus Cornelis van Staveren**, both of Nieuw-Vennep, Netherlands

[73] Assignee: **Multinorm B.V.**, Nieuw-Vennep, Netherlands

[**] Term: **14 Years**

[21] Appl. No.: **728,022**

[22] Filed: **Sep. 30, 1976**

[30] **Foreign Application Priority Data**

Apr. 2, 1976 [NL] Netherlands 1406-01

[51] Int. Cl. **D15-03**

[52] U.S. Cl. **D15/29**

[58] Field of Search **D15/29, 17; 56/255, 56/256, 295, 291, 294; 241/292.1, 296, 297**

[56] **References Cited**

U.S. PATENT DOCUMENTS

2,654,986	10/1953	Gold	56/295
2,669,819	2/1954	Sawyer	56/295
2,737,772	3/1956	Jacobsen	56/295
3,139,918	7/1964	Gronberg	56/295
3,540,198	11/1970	Heth et al.	56/295
3,717,062	2/1973	Gaeddert	241/292.1
3,781,991	1/1974	Stretton et al.	56/295
3,805,421	4/1974	Kamlukin et al.	56/294
3,806,047	4/1974	Ober	241/292.1

FOREIGN PATENT DOCUMENTS

950,438 2/1964 United Kingdom 56/295

Primary Examiner—Wallace R. Burke

Assistant Examiner—James M. Gandy

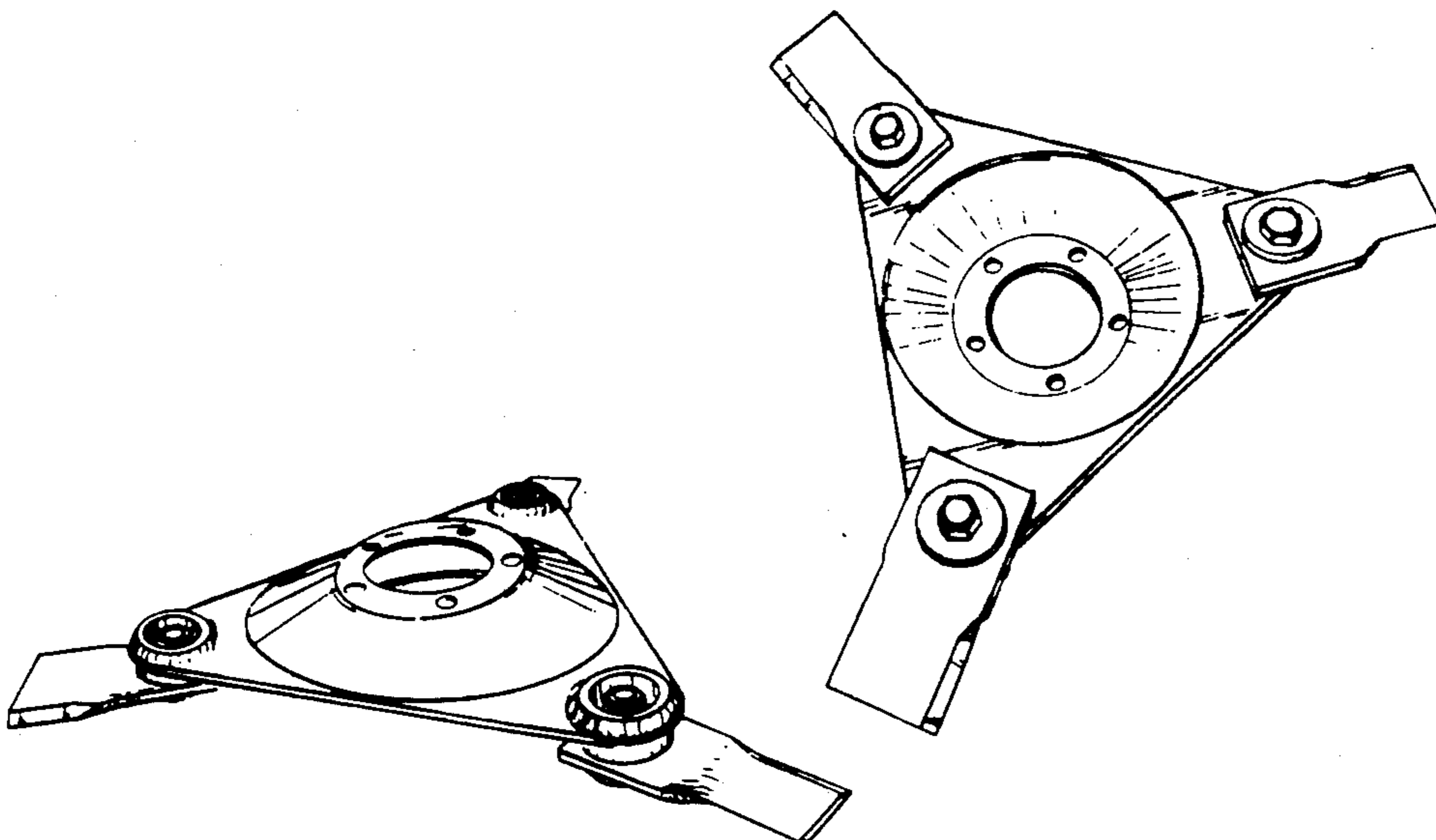
Attorney, Agent, or Firm—Lewis H. Eslinger

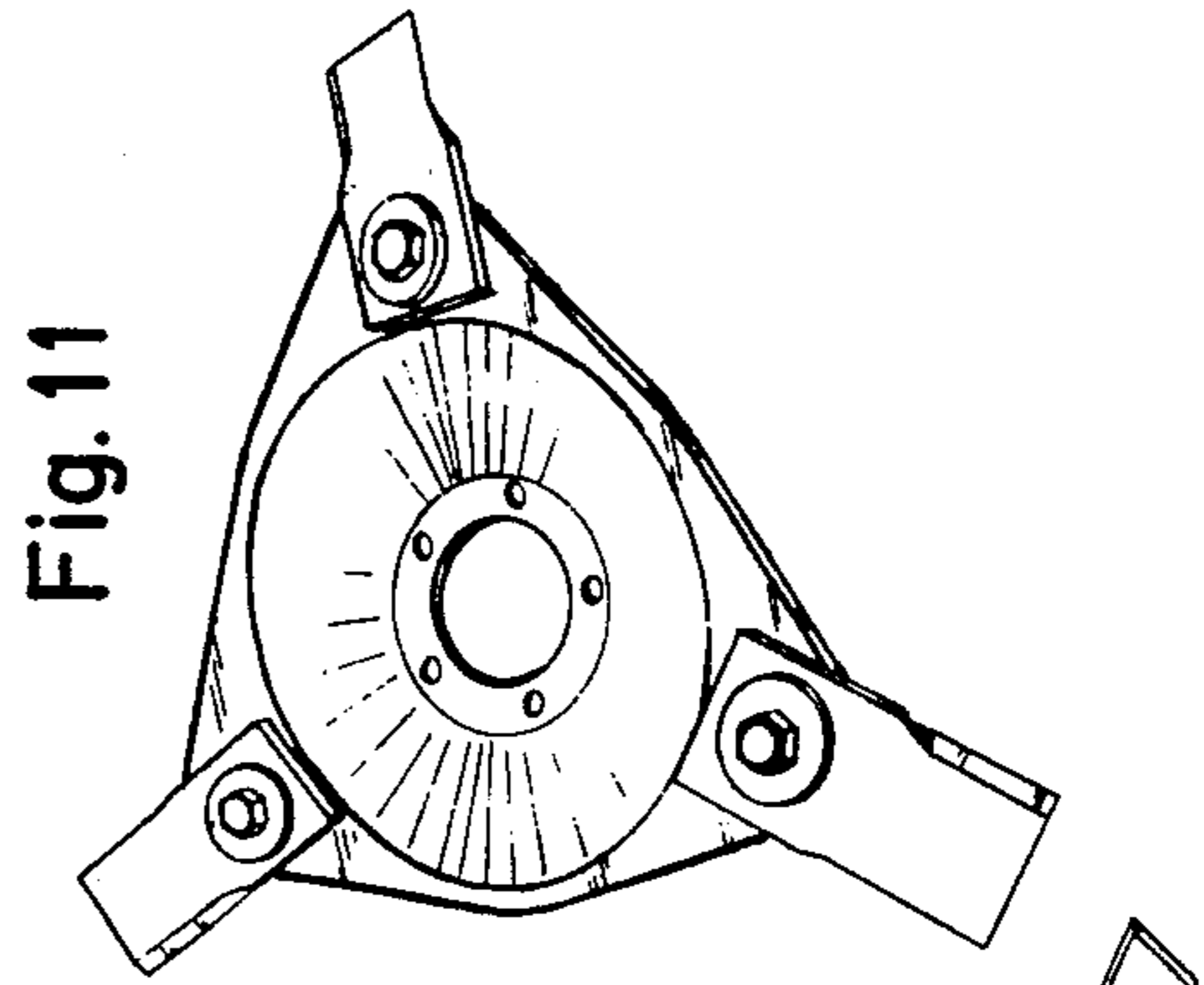
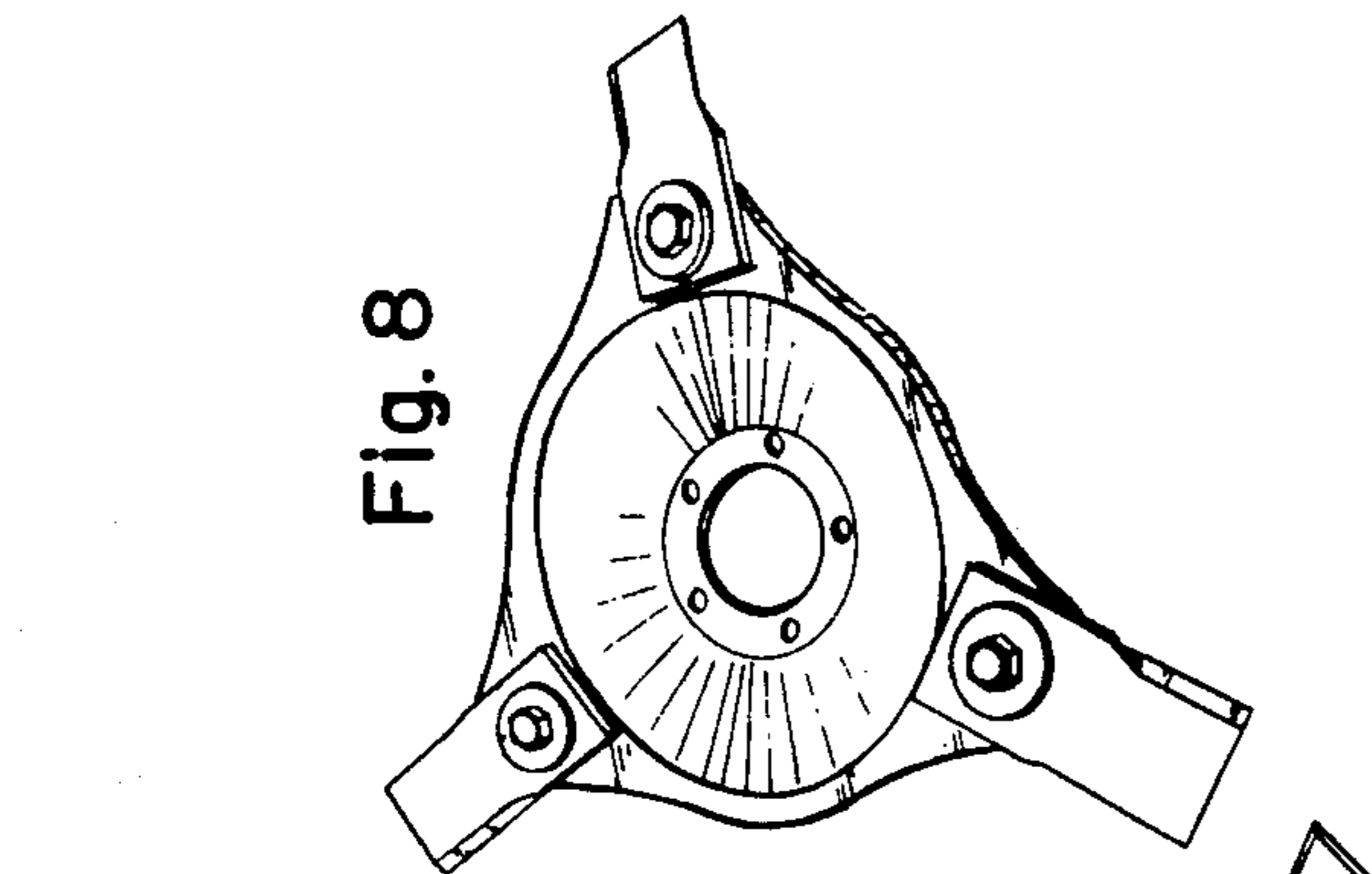
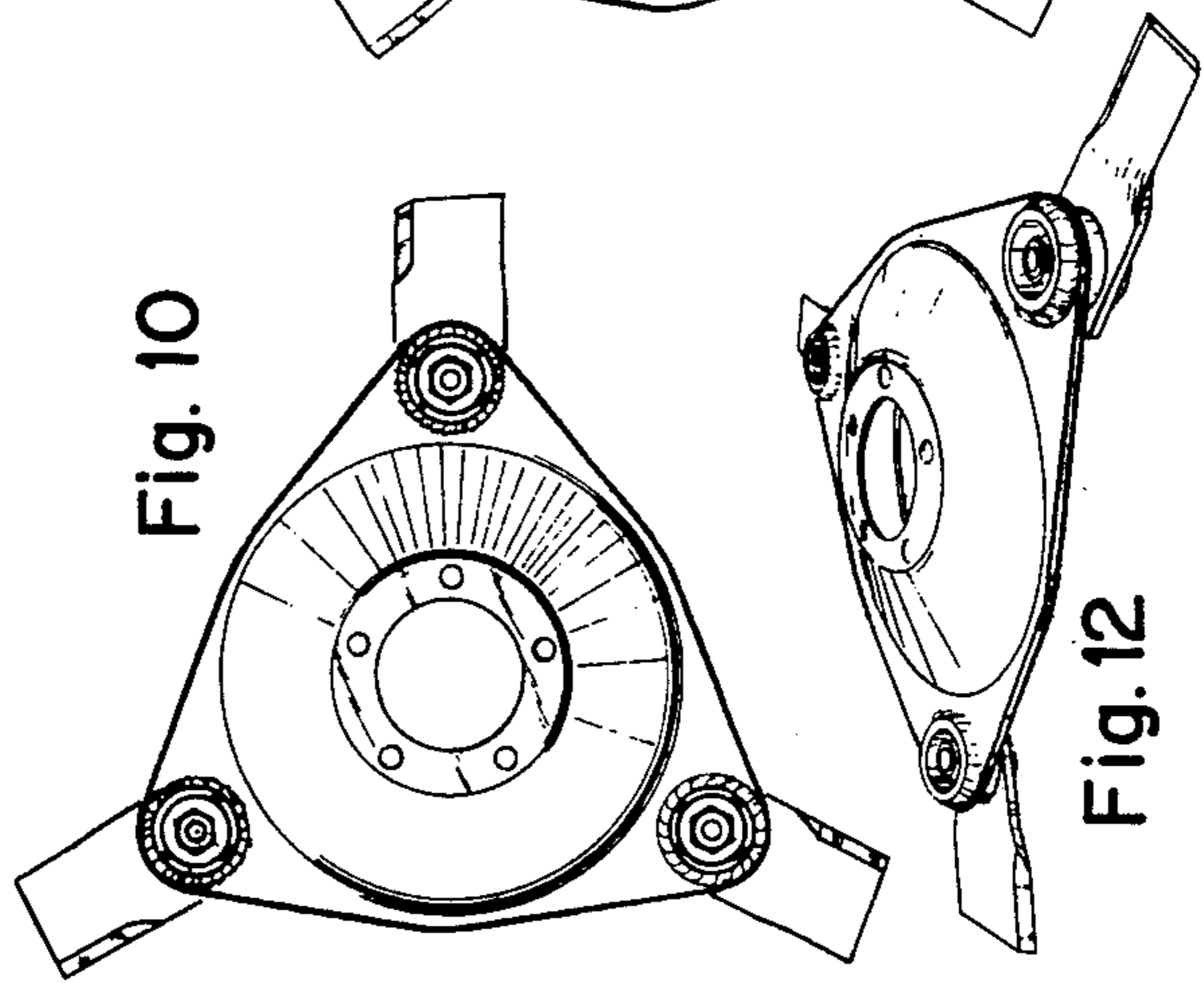
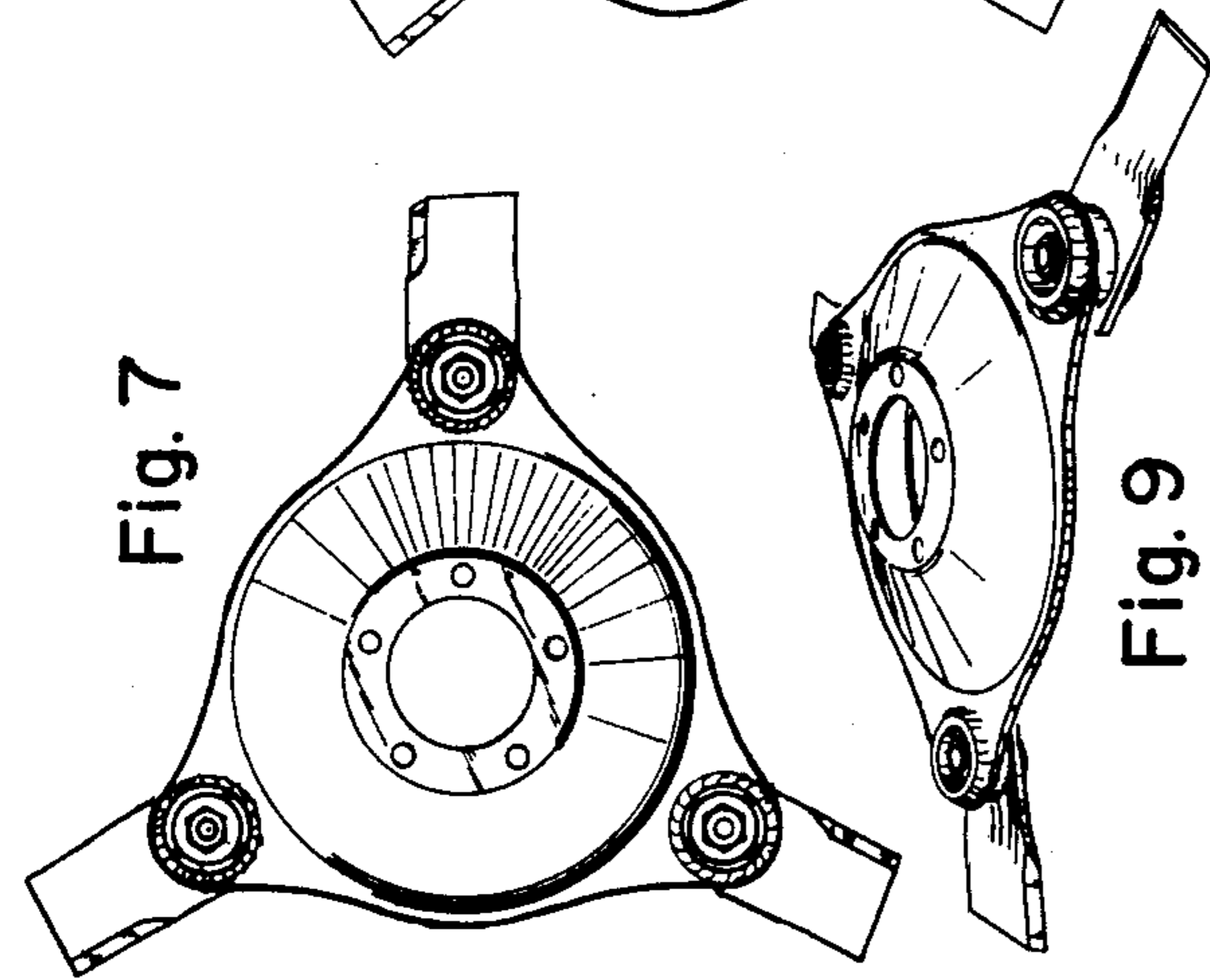
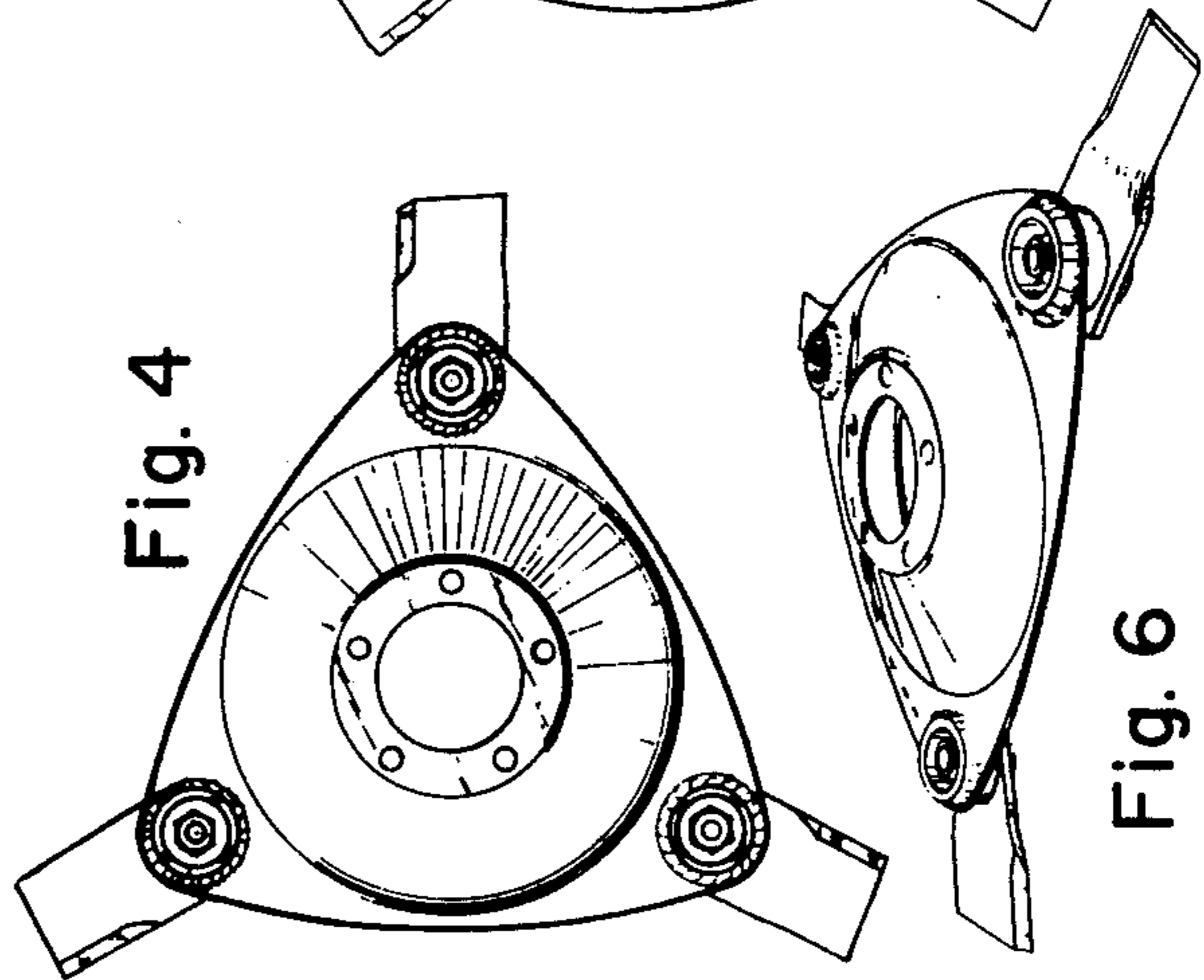
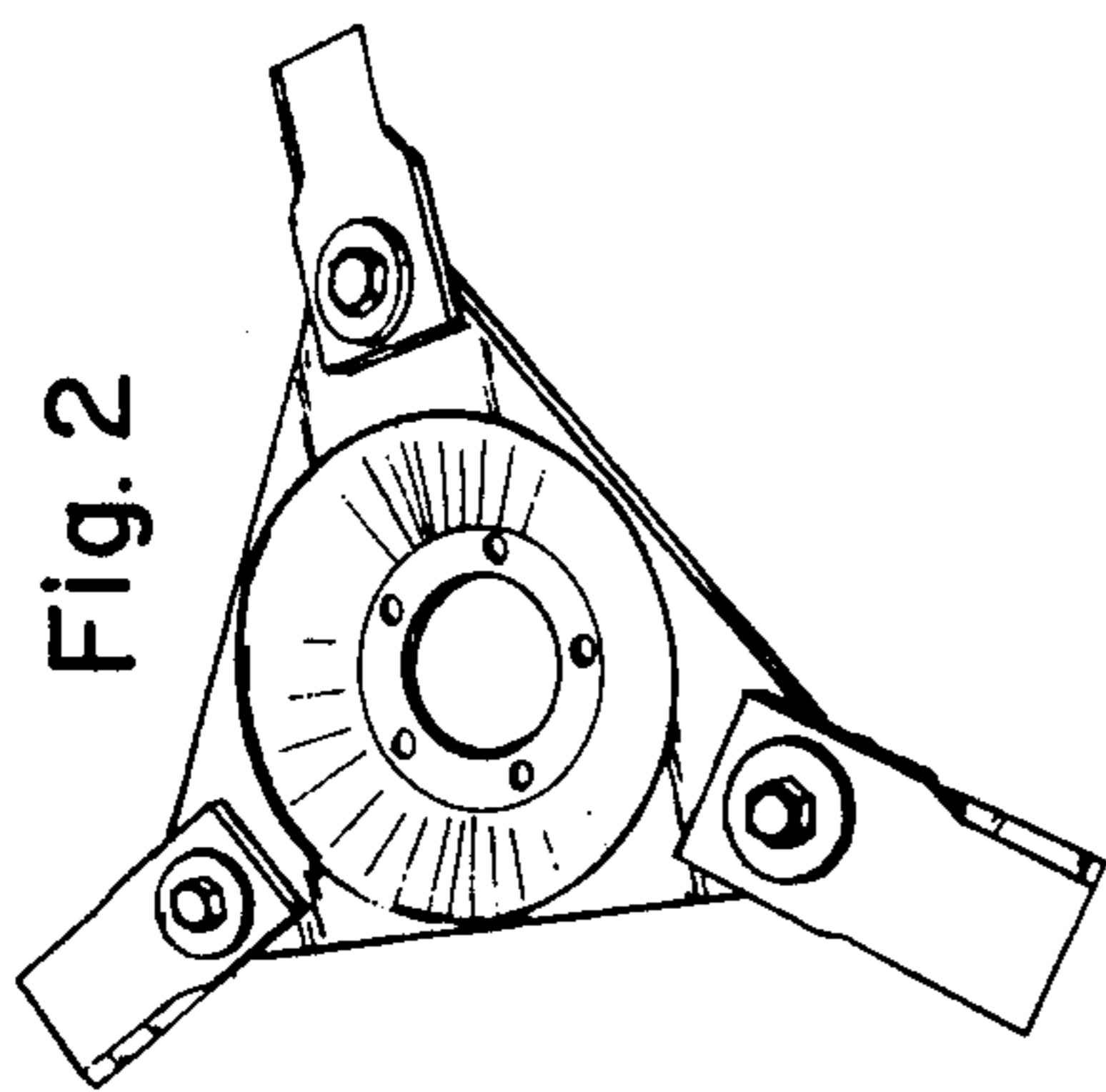
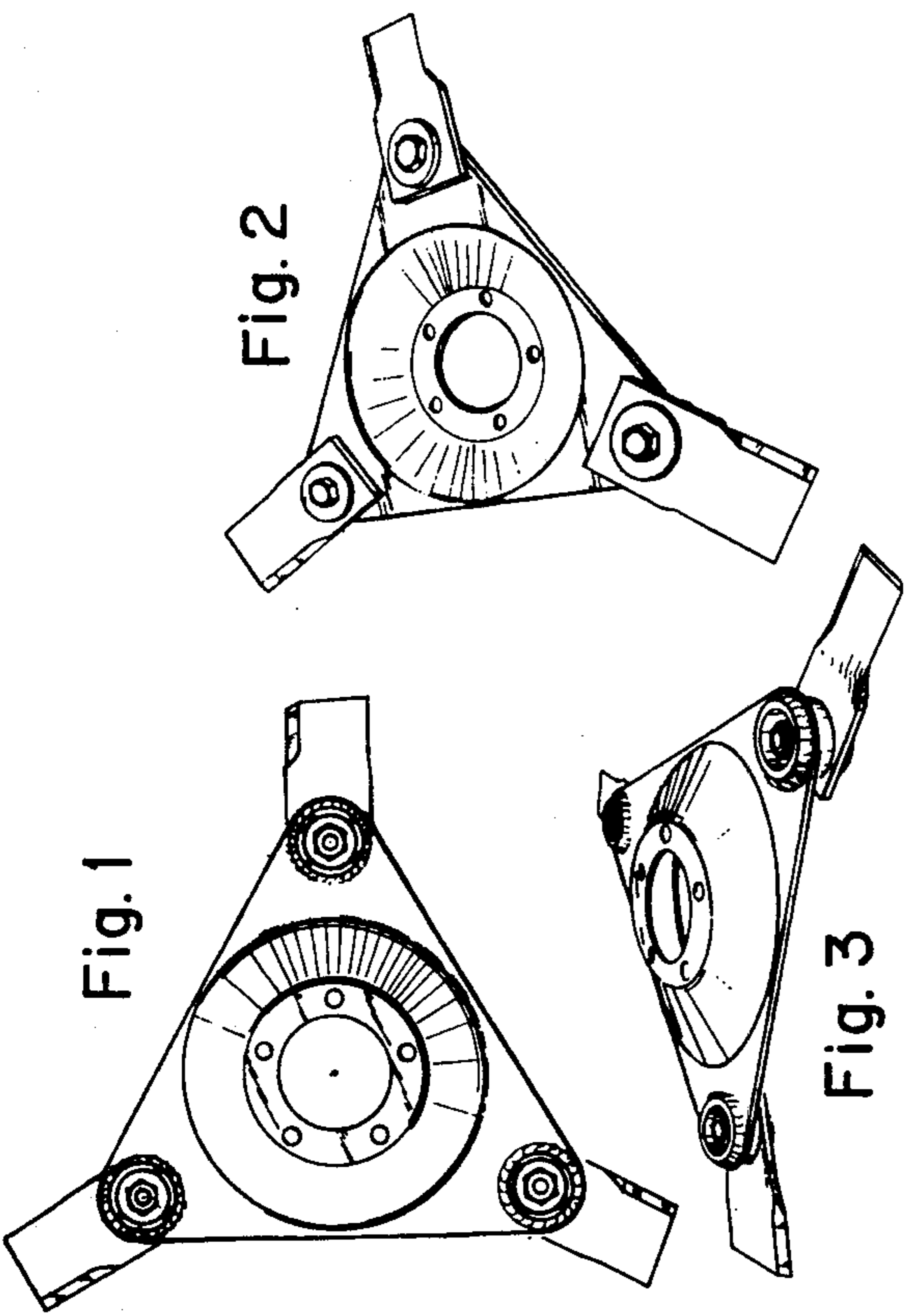
[57] **CLAIM**

The ornamental design for a mowing disk, as shown and described.

DESCRIPTION

FIG. 1 is a top plan view of a mowing disk showing our new design;
 FIG. 2 is a bottom perspective view thereof;
 FIG. 3 is a top perspective view thereof;
 FIG. 4 is a top plan view of a mowing disk showing a second embodiment of our new design;
 FIG. 5 is a bottom perspective view of FIG. 4;
 FIG. 6 is a top perspective view of FIG. 4;
 FIG. 7 is a top plan view of a mowing disk showing a third embodiment of our new design;
 FIG. 8 is a bottom perspective view of FIG. 7;
 FIG. 9 is a top perspective view of FIG. 7;
 FIG. 10 is a top plan view of a mowing disk showing a fourth embodiment of our new design;
 FIG. 11 is a bottom perspective view of FIG. 10;
 FIG. 12 is a top perspective view of FIG. 10;
 FIG. 13 is a top plan view of a mowing disk showing a fifth embodiment of our new design;
 FIG. 14 is a bottom perspective view of FIG. 13;
 FIG. 15 is a top perspective view of FIG. 13;
 FIG. 16 is a top plan view of a mowing disk showing a sixth embodiment of our new design;
 FIG. 17 is a bottom perspective view of FIG. 16;
 FIG. 18 is a top perspective view of FIG. 16;
 FIG. 19 is a top plan view of a mowing disk showing a seventh embodiment of our new design;
 FIG. 20 is a bottom perspective view of FIG. 19;
 FIG. 21 is a top perspective view of FIG. 19;
 FIG. 22 is a top plan view of a mowing disk showing an eighth embodiment of our new design;
 FIG. 23 is a bottom perspective view of FIG. 22;
 FIG. 24 is a top perspective view of FIG. 22;
 FIG. 25 is a top plan view of a mowing disk showing a ninth embodiment of our new design;
 FIG. 26 is a bottom perspective view of FIG. 25;
 FIG. 27 is a top perspective view of FIG. 25;
 FIG. 28 is a top plan view of a mowing disk showing a tenth embodiment of our new design;
 FIG. 29 is a bottom perspective view of FIG. 28; and
 FIG. 30 is a top perspective view of FIG. 28.





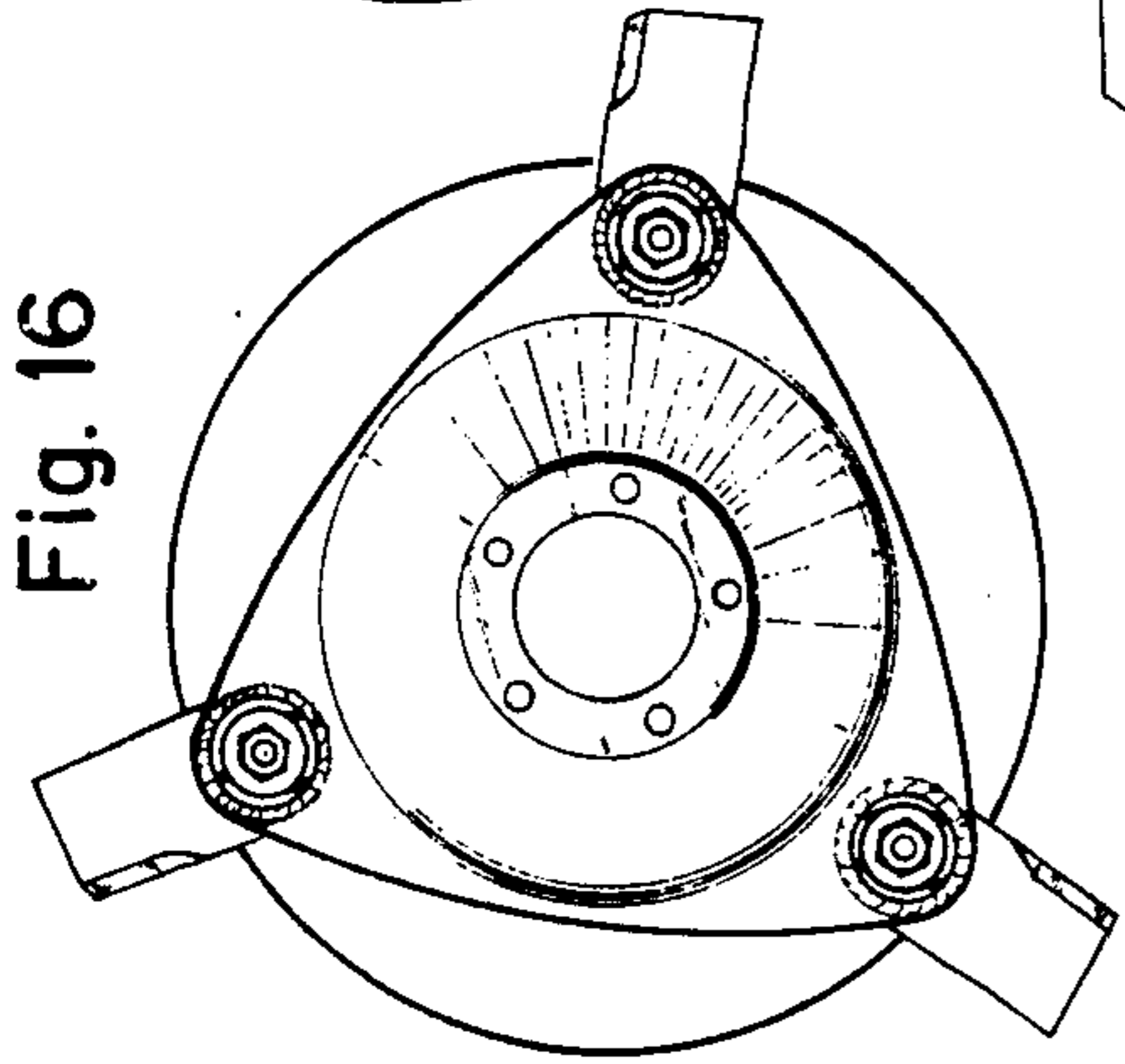
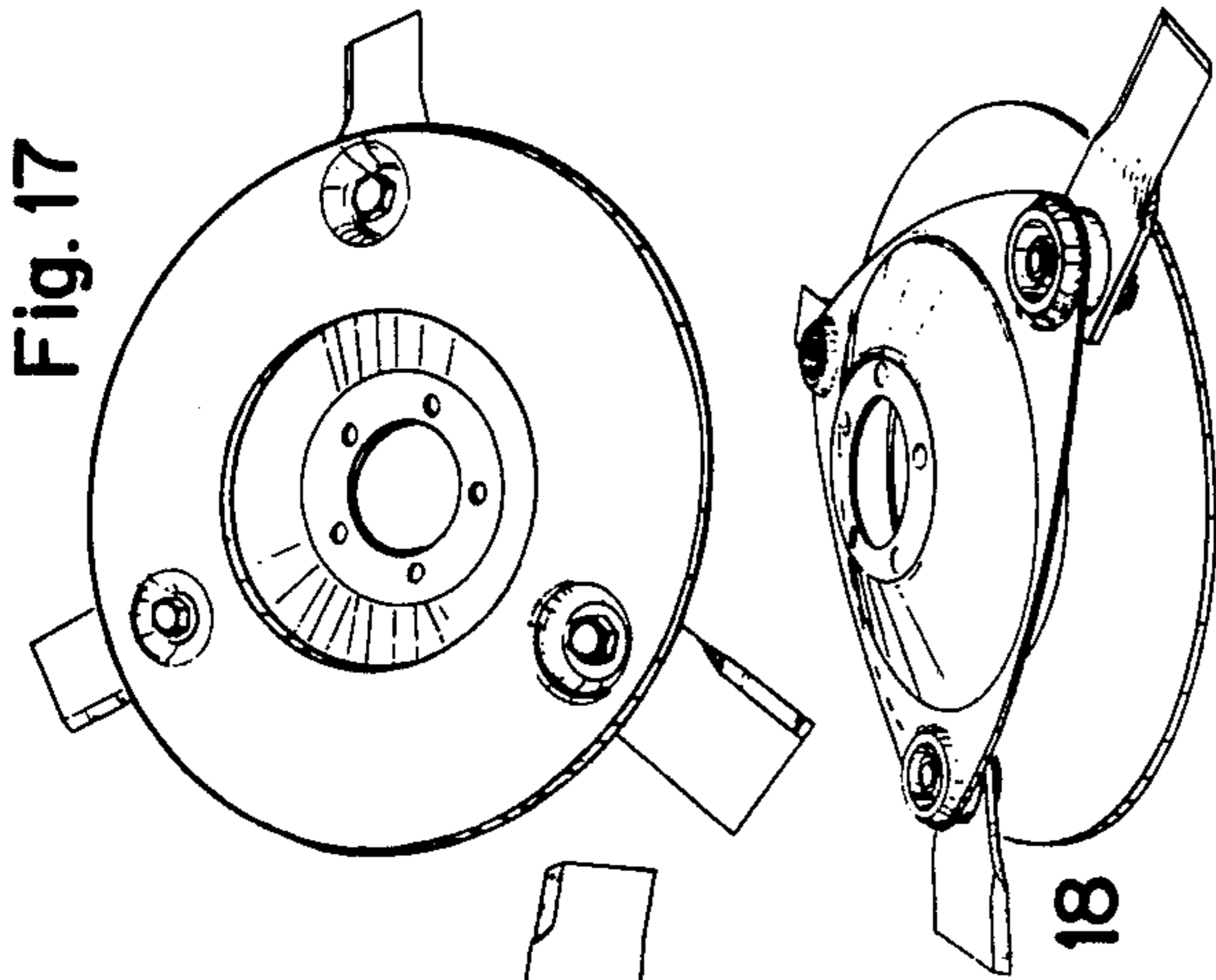


Fig. 18

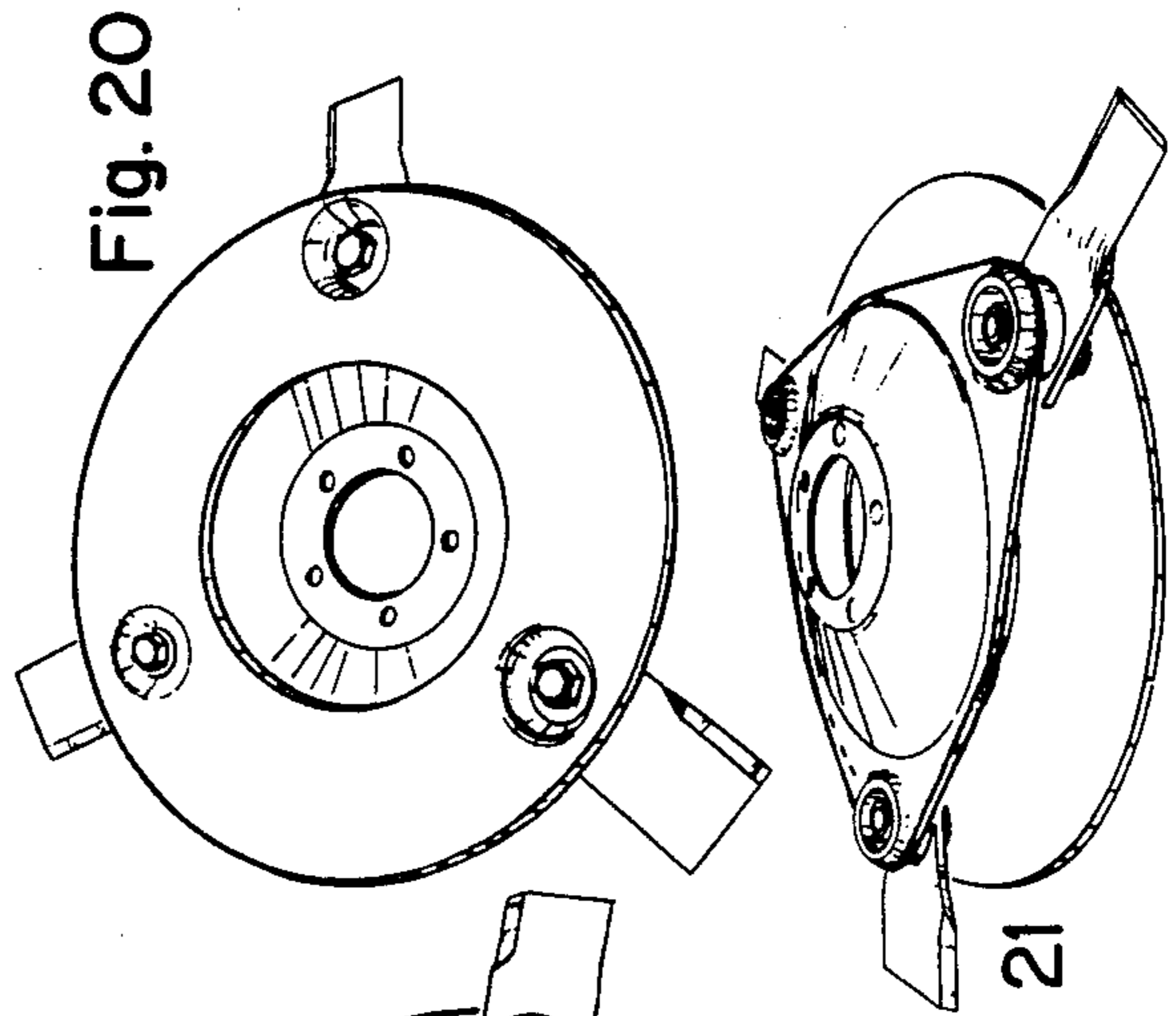


Fig. 20

Fig. 21

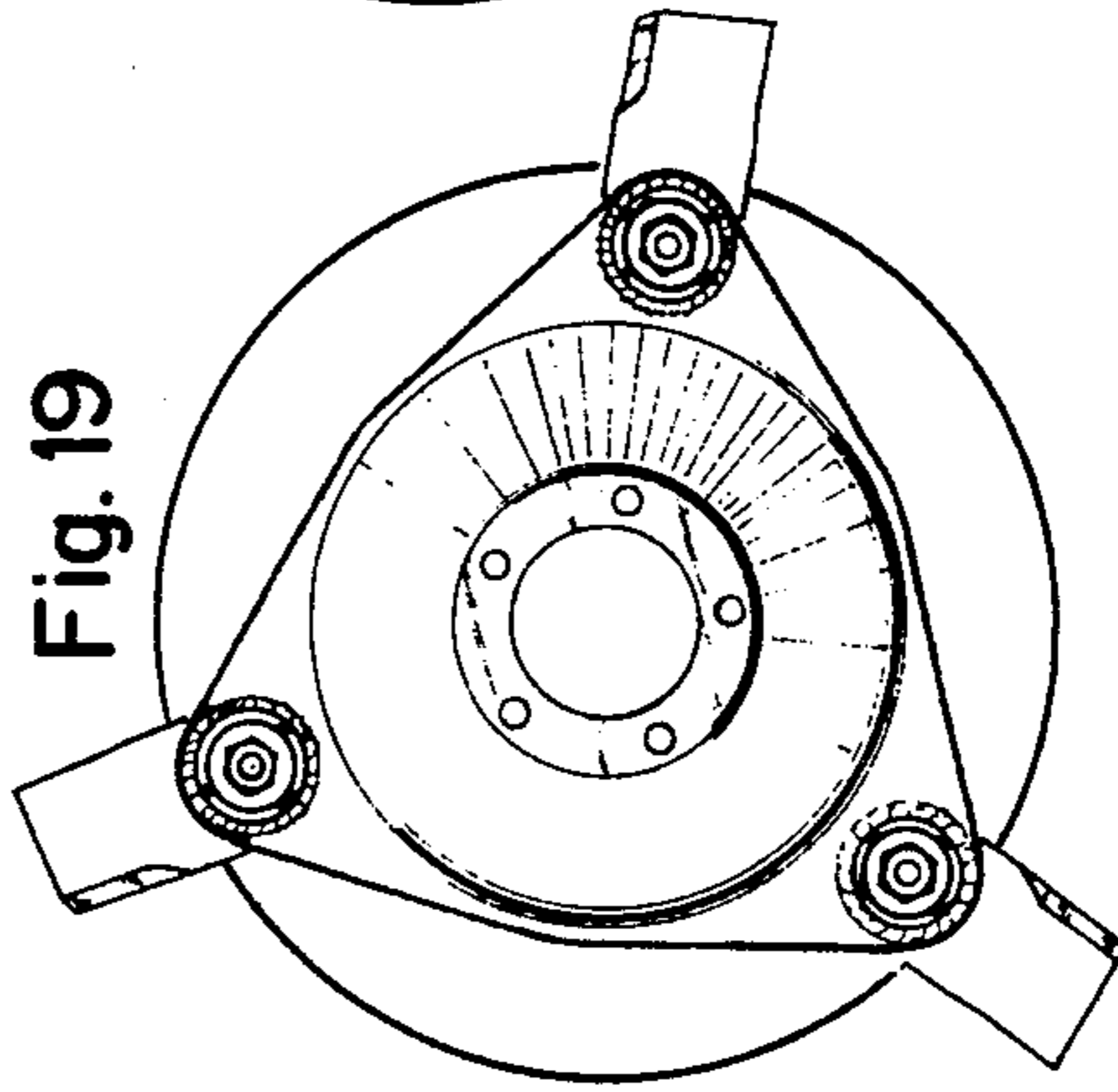


Fig. 19

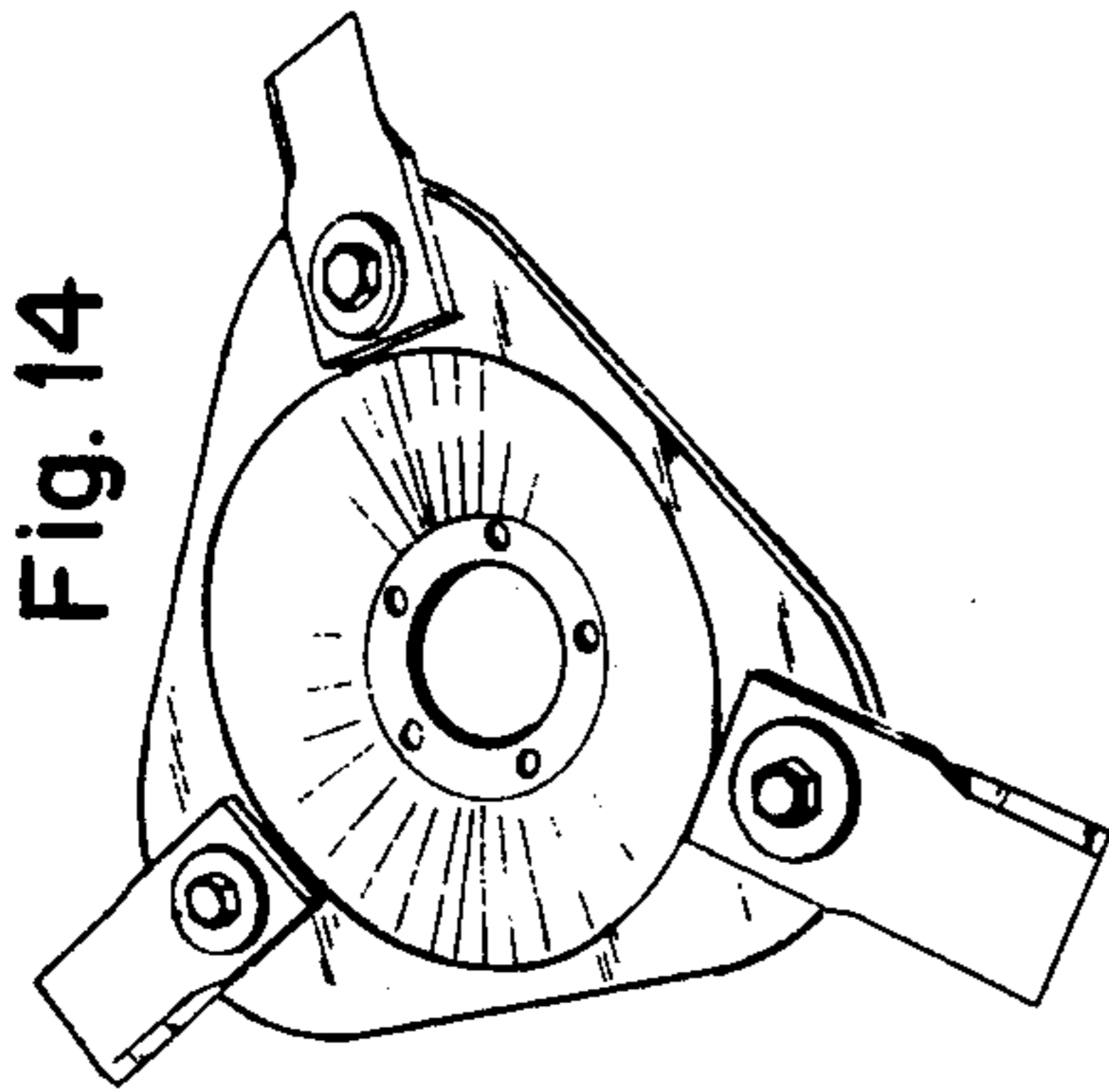


Fig. 14

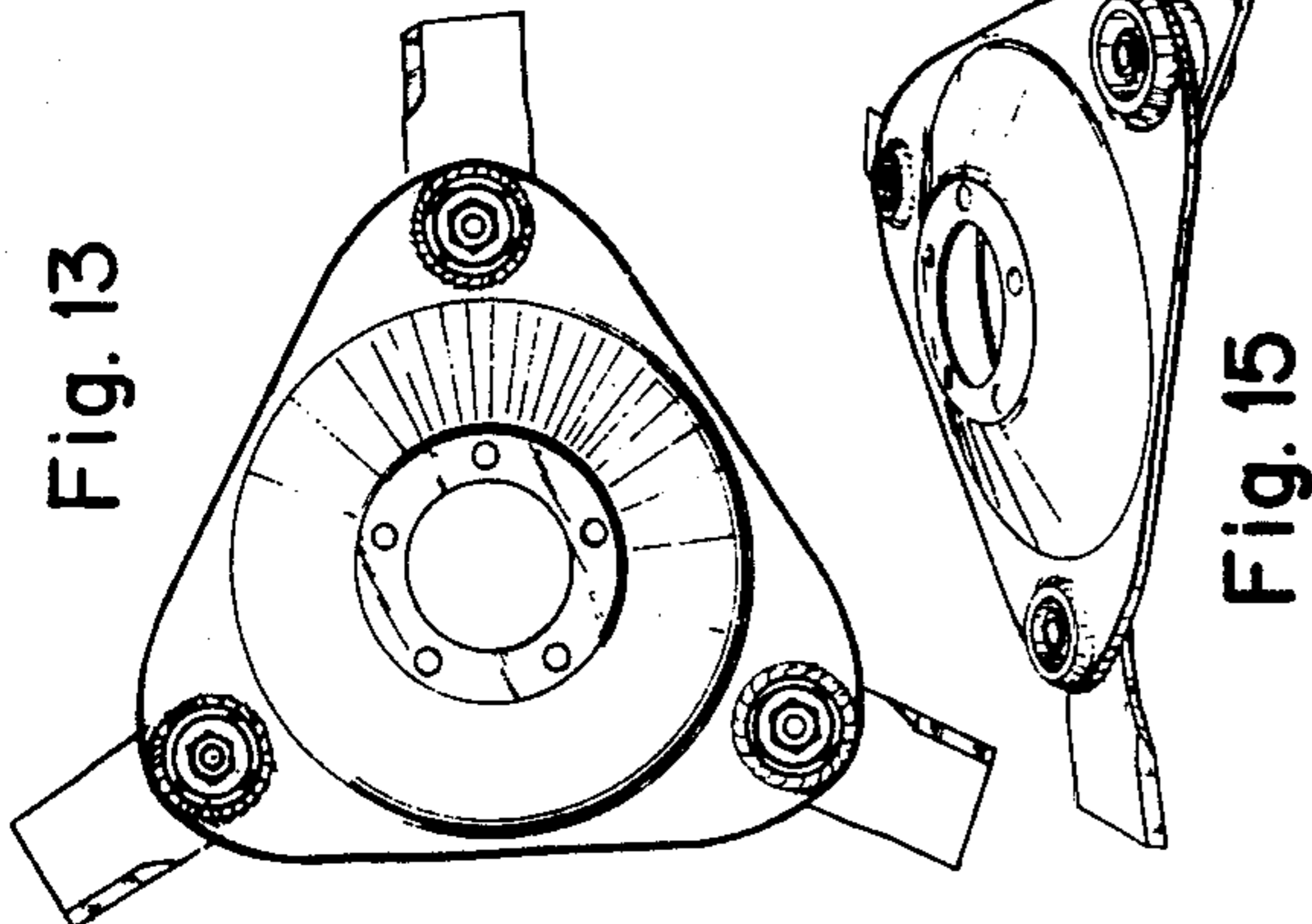


Fig. 13

Fig. 15

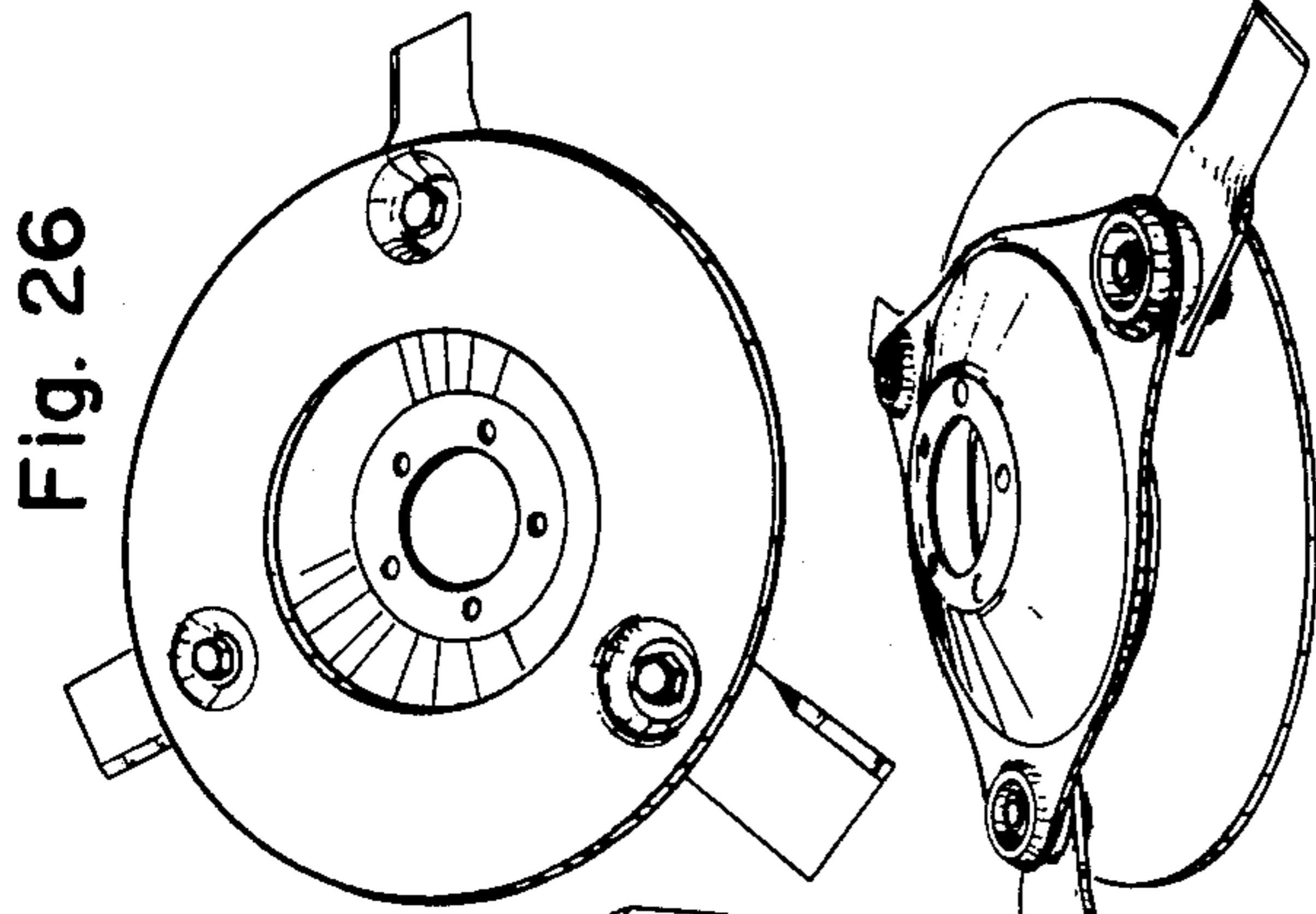


Fig. 26

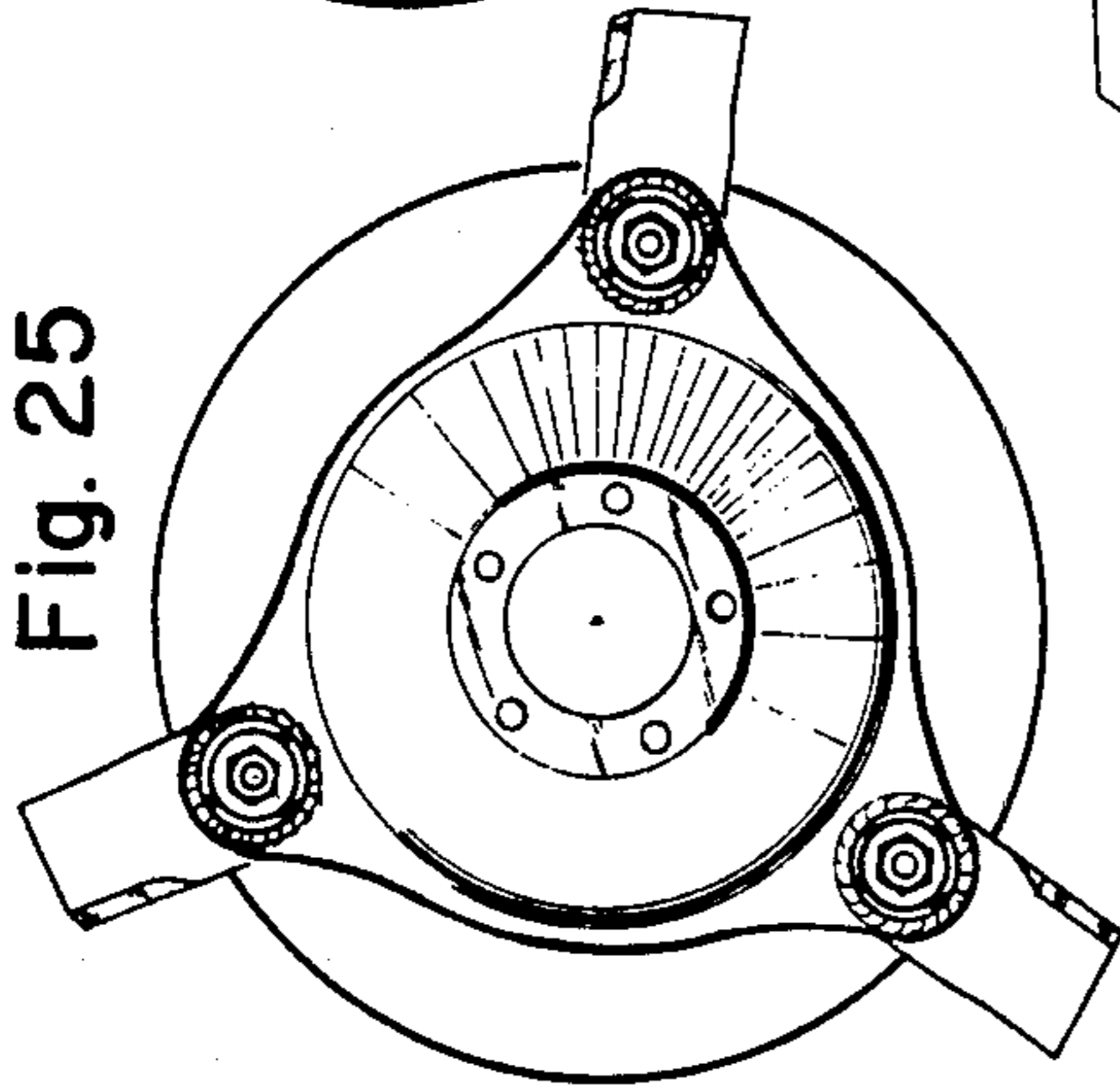


Fig. 25

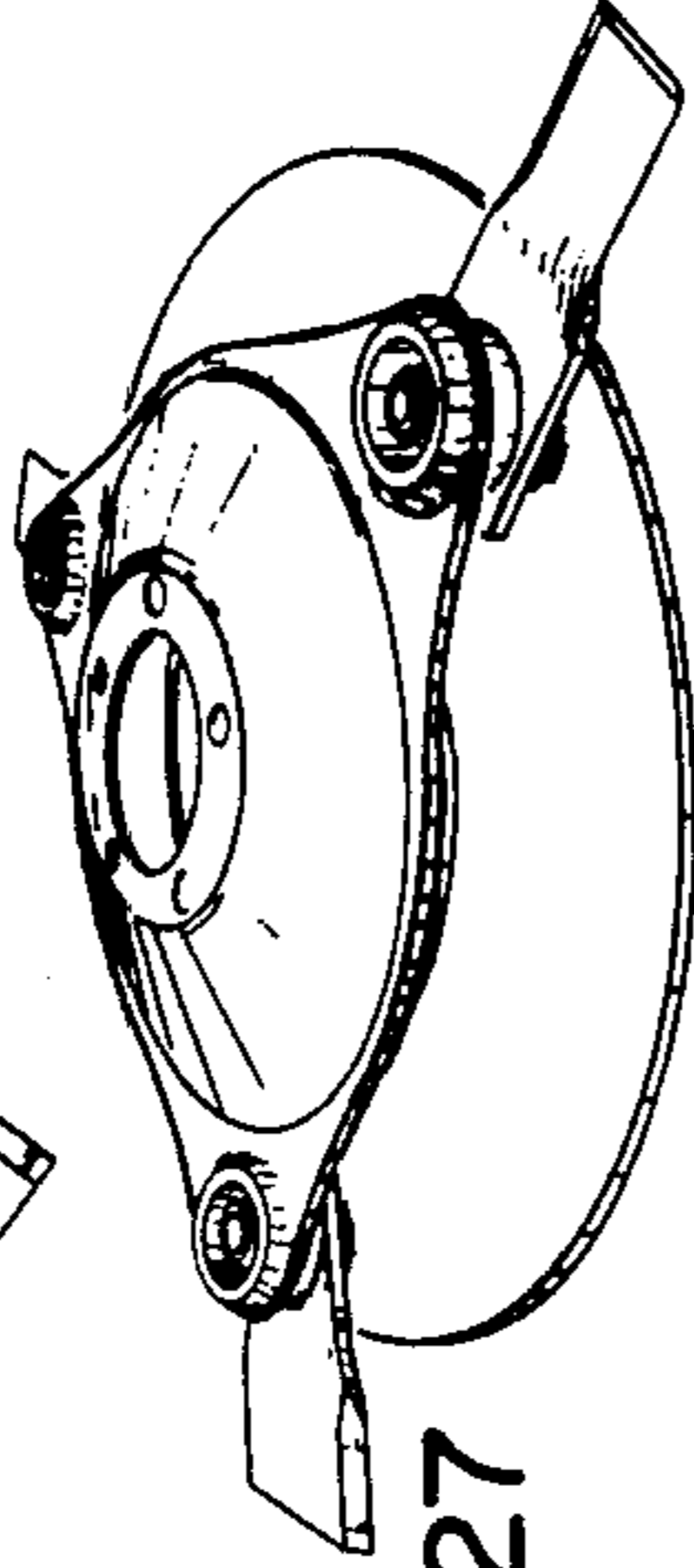


Fig. 27

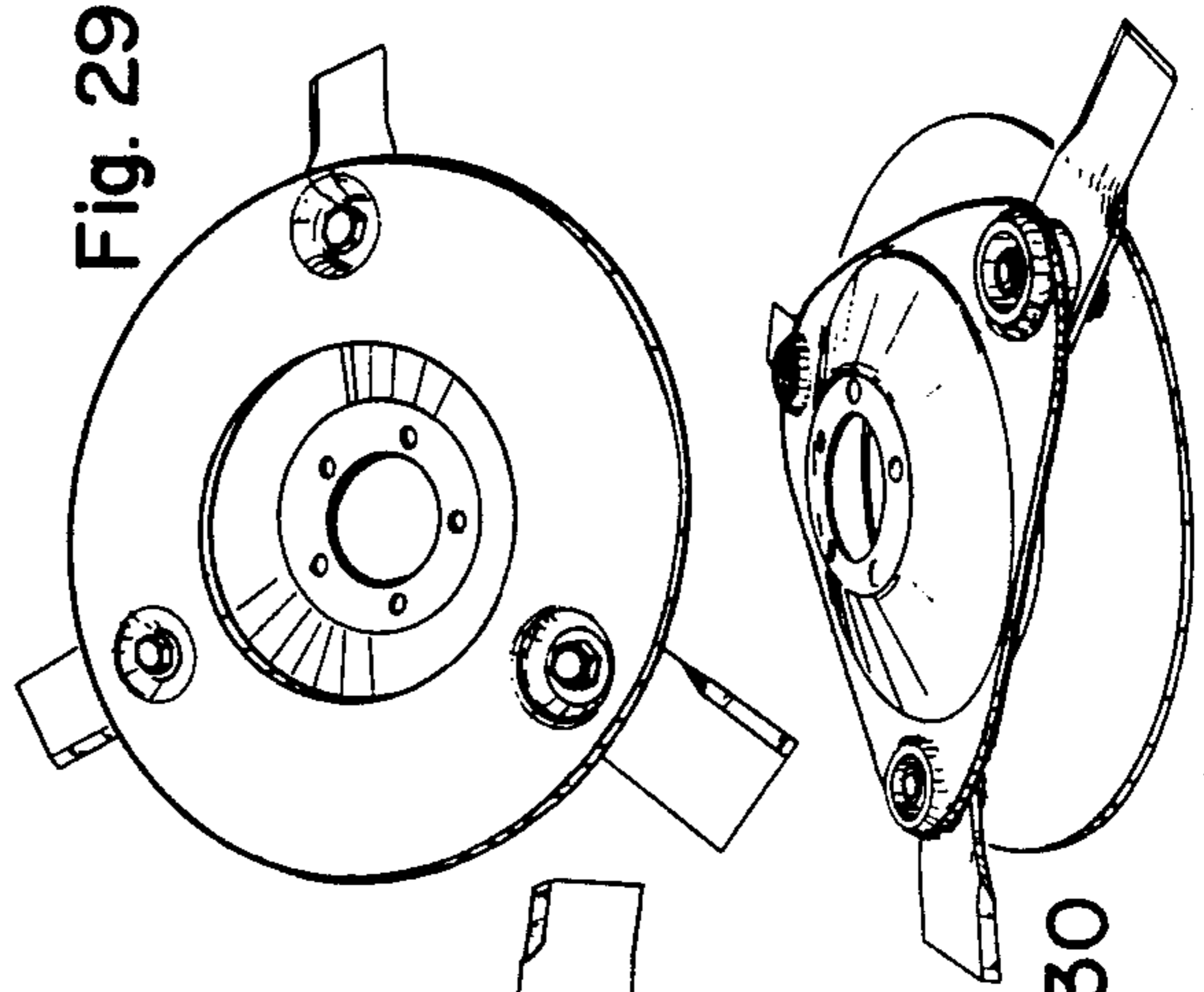


Fig. 29

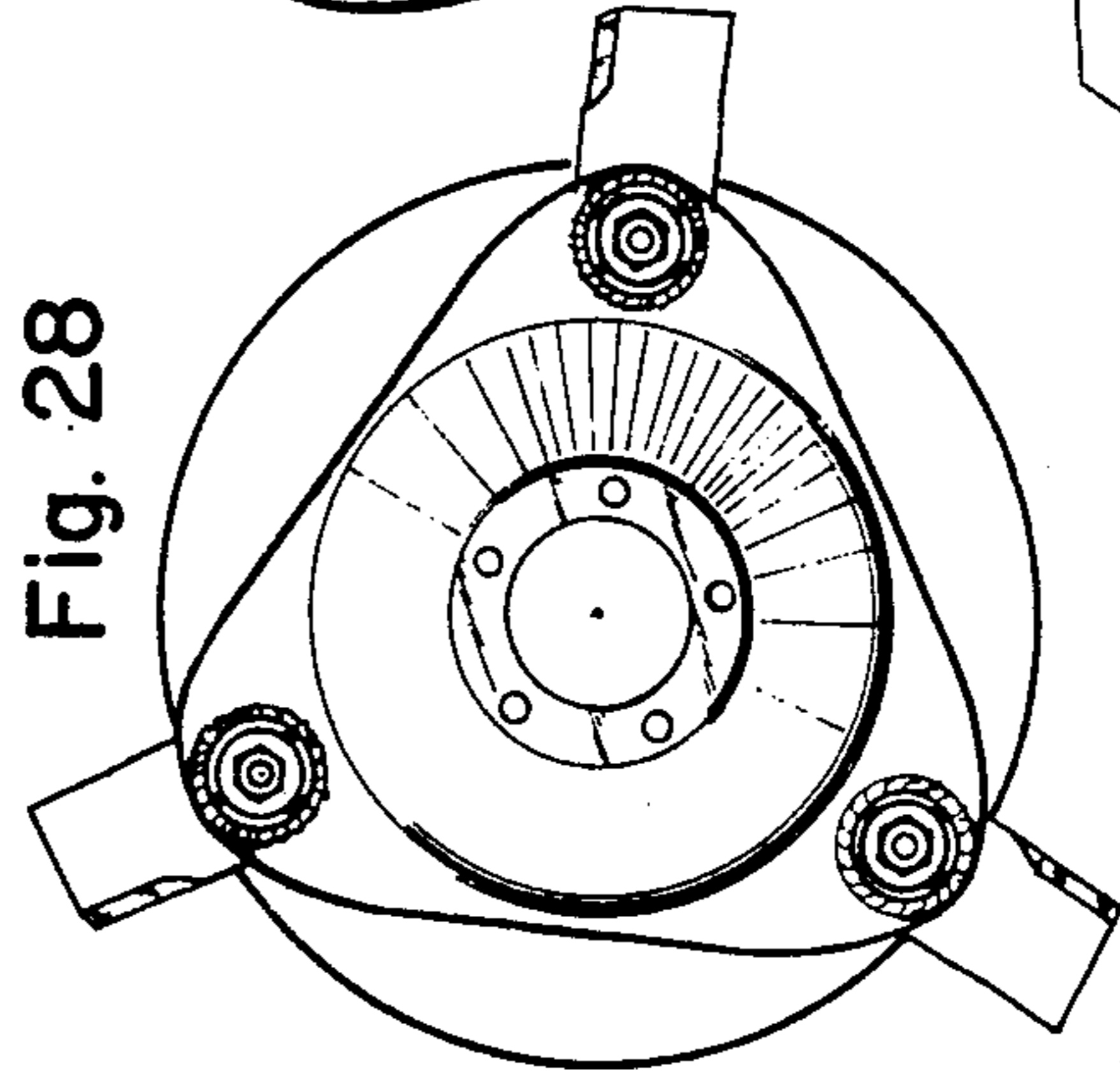


Fig. 28

Fig. 30

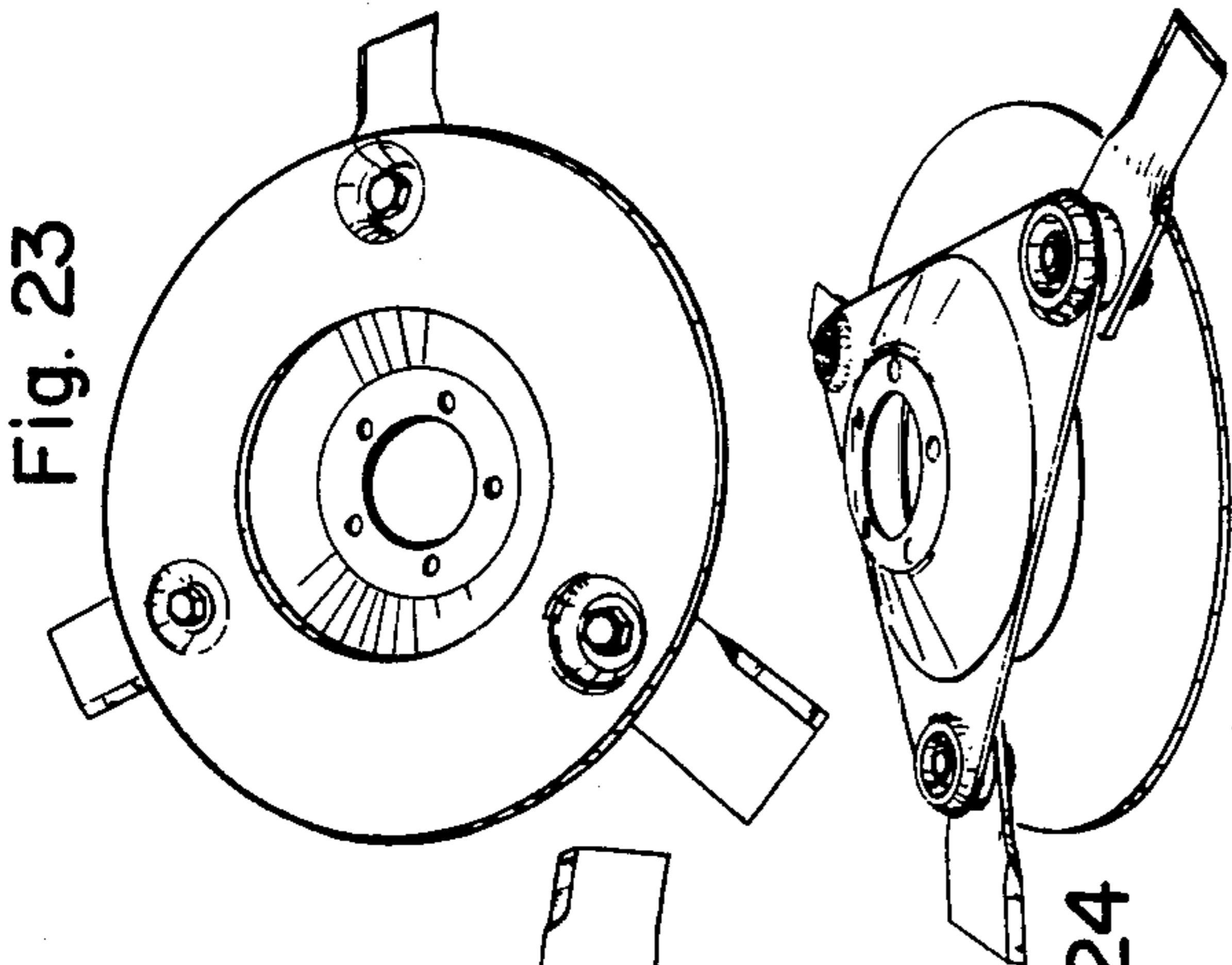


Fig. 23

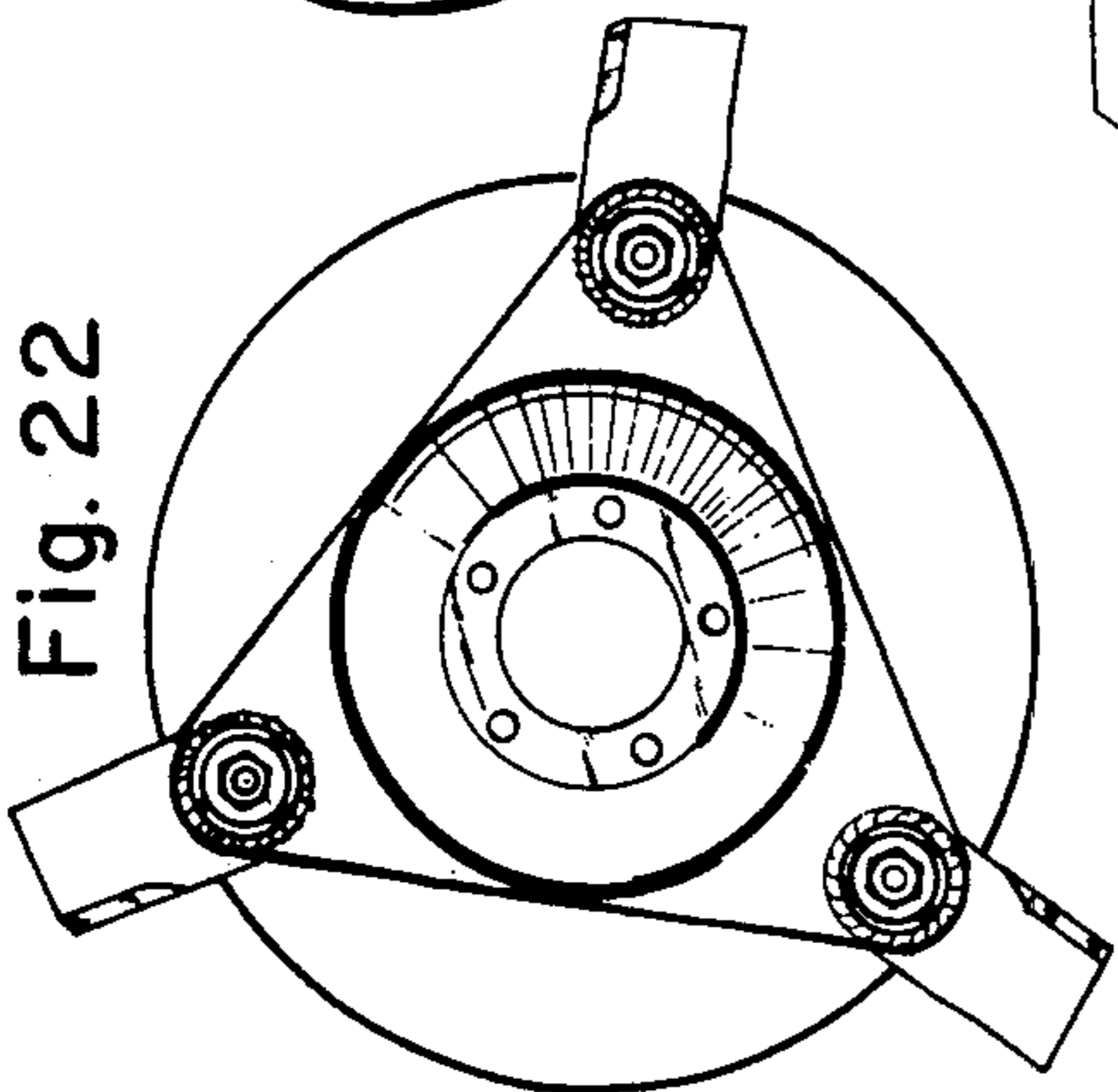


Fig. 22

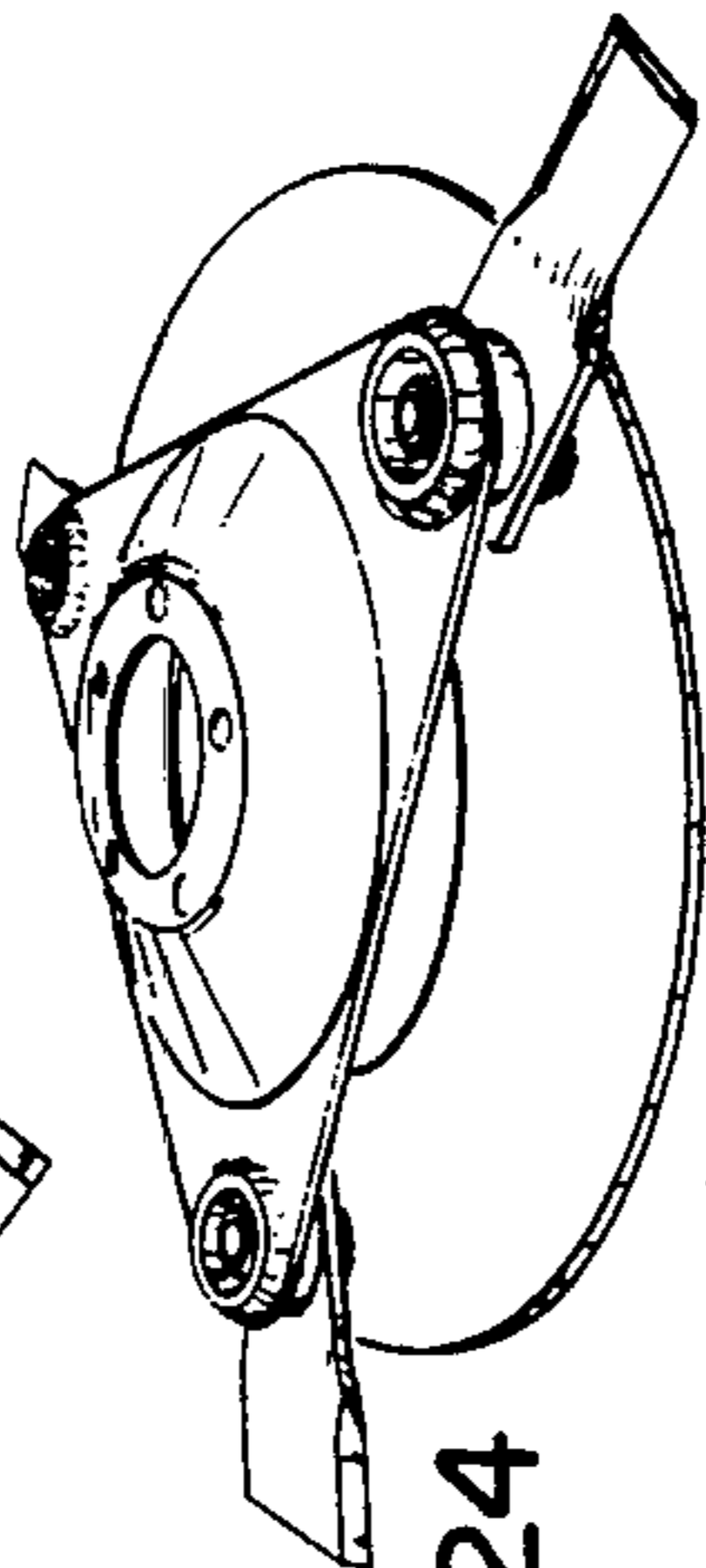


Fig. 24