

[54] **SPEAKER CABINET**

[75] Inventor: **Yoshinobu Asai**, Tokyo, Japan

[73] Assignee: **Sansui Electric Co., Ltd.**, Tokyo, Japan

[**] Term: **14 Years**

[21] Appl. No.: **738,972**

[22] Filed: **Nov. 4, 1976**

[30] **Foreign Application Priority Data**

May 20, 1976 [JP] Japan 51/18710

[51] Int. Cl. **D14-01**

[52] U.S. Cl. **D14/34**

[58] Field of Search **D14/33, 34;**
181/144-146, 148, 152, 155, 156, 176, 198, 199;
312/7 R

[56] **References Cited**

U.S. PATENT DOCUMENTS

D. 222,676 11/1971 Ishikawa D14/34

D. 239,012 3/1976 Ross D14/34

OTHER PUBLICATIONS

J. B. L. Sound Inc., Catalog SC502, rec'd. 10/5/59, p. 2, Speaker Cabinet, center of page.

Primary Examiner—Bernard Ansher
Assistant Examiner—James M. Gandy
Attorney, Agent, or Firm—Richard C. Sughrue

[57] **CLAIM**

The ornamental design for a speaker cabinet, as shown and described.

DESCRIPTION

FIG. 1 is a front elevational view of a speaker cabinet showing my new design;

FIG. 2 is a front, top and right side perspective view thereof; the left side being a mirror image of the right side shown herein; and

FIG. 3 is a rear elevational view thereof.

The bottom of the speaker cabinet is essentially flat and unornamented.

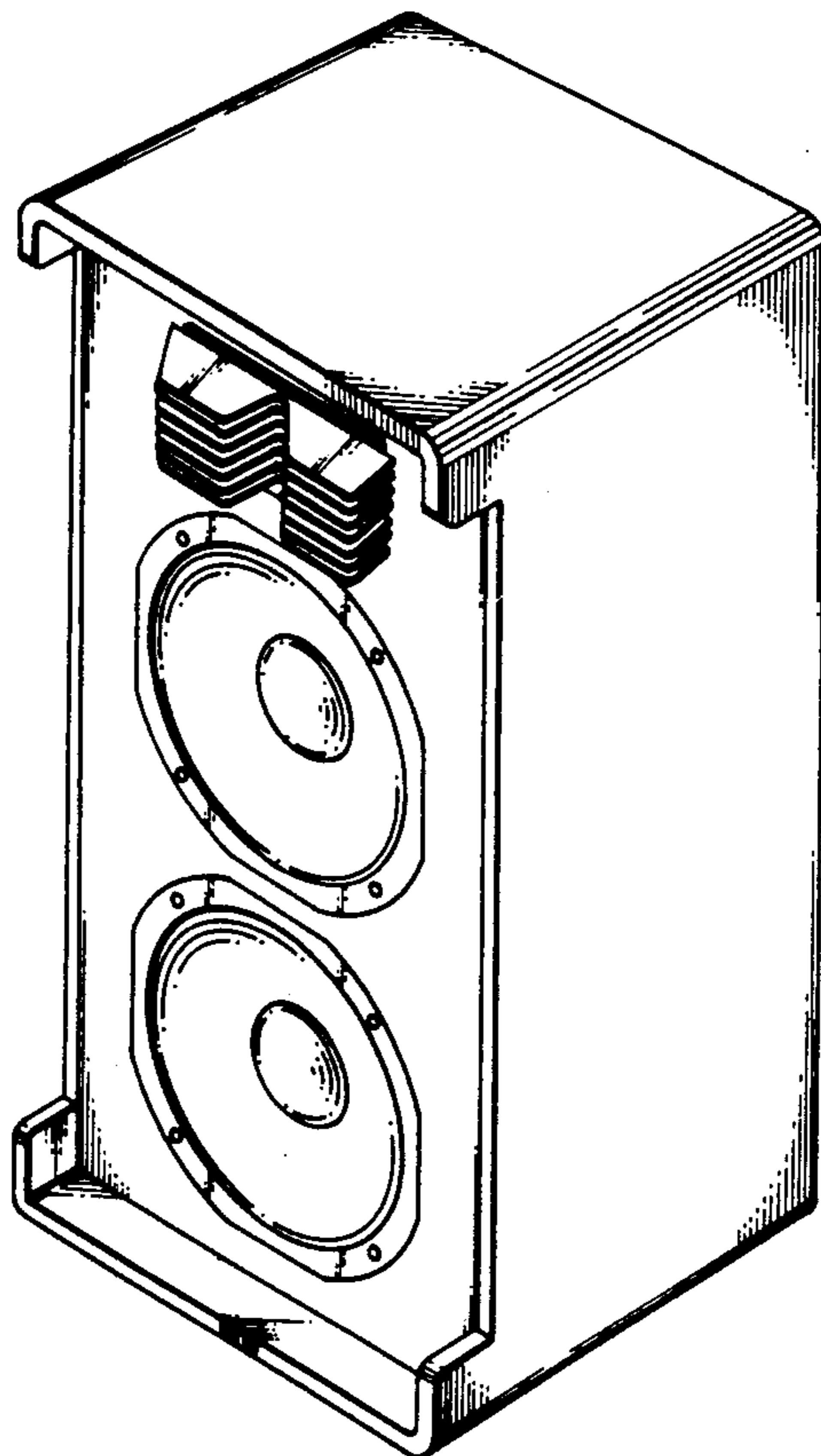


Fig. 1

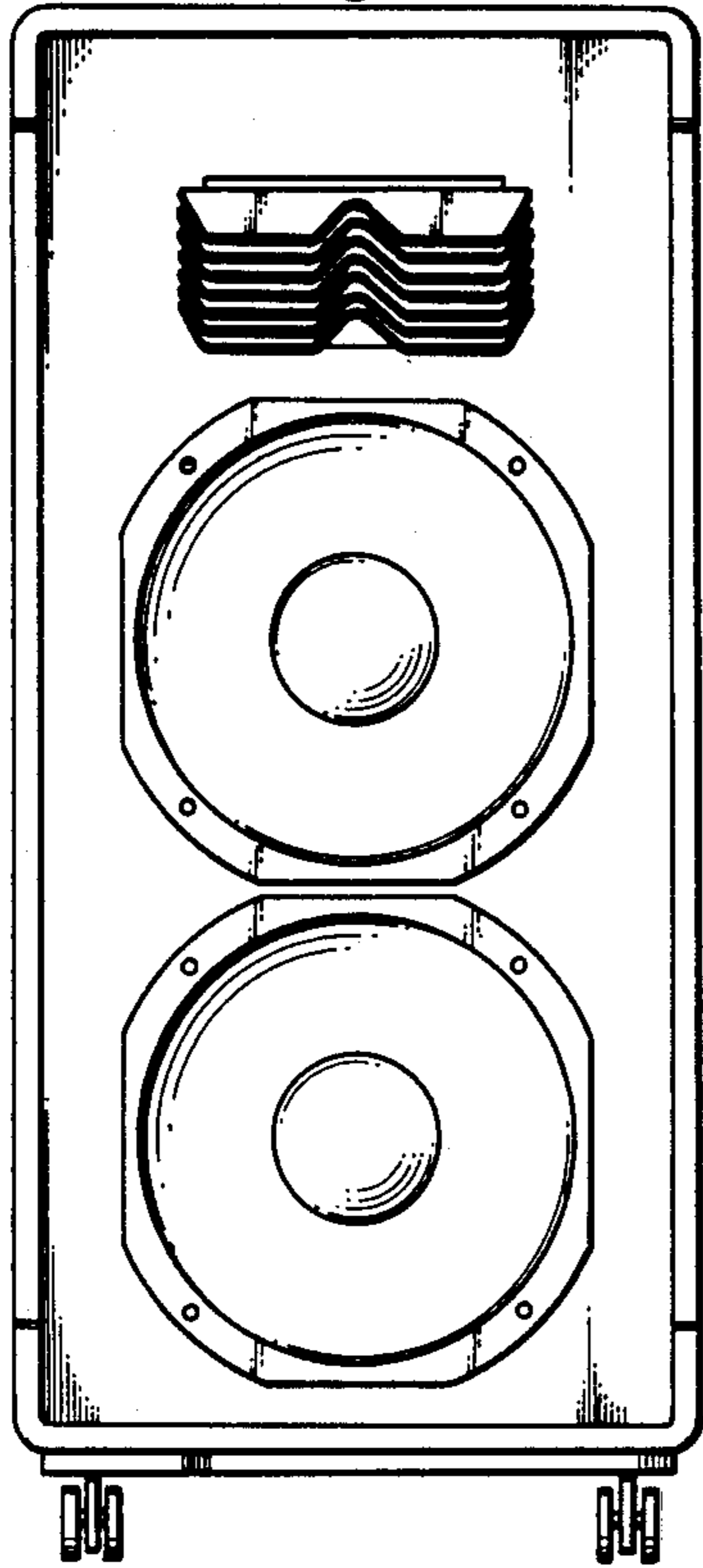


Fig. 2

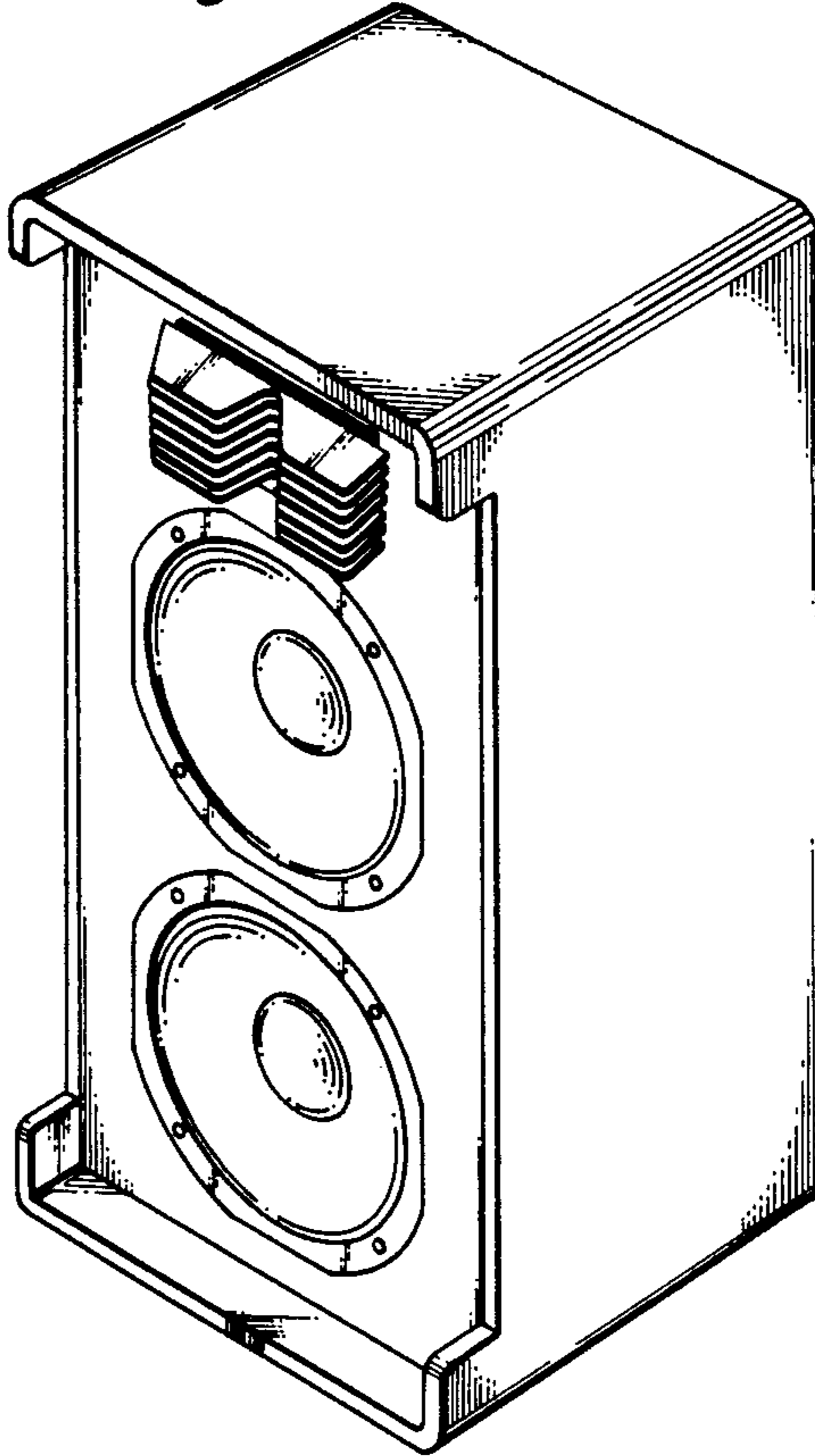


Fig. 3

