

[54] **PLUG-IN CARTRIDGE FOR VIDEO GAME AND THE LIKE**

[75] Inventor: **Nicholas F. Talesfore**, San Jose, Calif.

[73] Assignee: **Fairchild Camera and Instrument Corp.**, Mountain View, Calif.

[**] Term: **14 Years**

[21] Appl. No.: **751,357**

[22] Filed: **Dec. 13, 1976**

[51] Int. Cl. **D16-05; D16-99**

[52] U.S. Cl. **D14/11; D87/1 D**

[58] Field of Search **D87/1 D; D14/11; 360/132, 134, 93; 358/93; 206/387; 354/340, 342, 343; 242/199, 198; 339/75 MP**

[56] **References Cited**

U.S. PATENT DOCUMENTS

- D. 228,789 10/1973 Koni D14/11
- D. 232,775 9/1974 Eloranta D14/11
- D. 239,736 4/1976 Dudley et al. D14/11

- D. 244,202 5/1977 Corrado et al. D14/11
- 3,925,820 2/1976 Matsumoto D14/11

Primary Examiner—Bernard Ansher
Attorney, Agent, or Firm—Alan H. MacPherson

[57] **CLAIM**

The ornamental design for a plug-in cartridge for video game and the like, substantially as shown and described.

DESCRIPTION

FIG. 1 is a front top perspective view of a plug-in cartridge for video game and the like showing my new design;

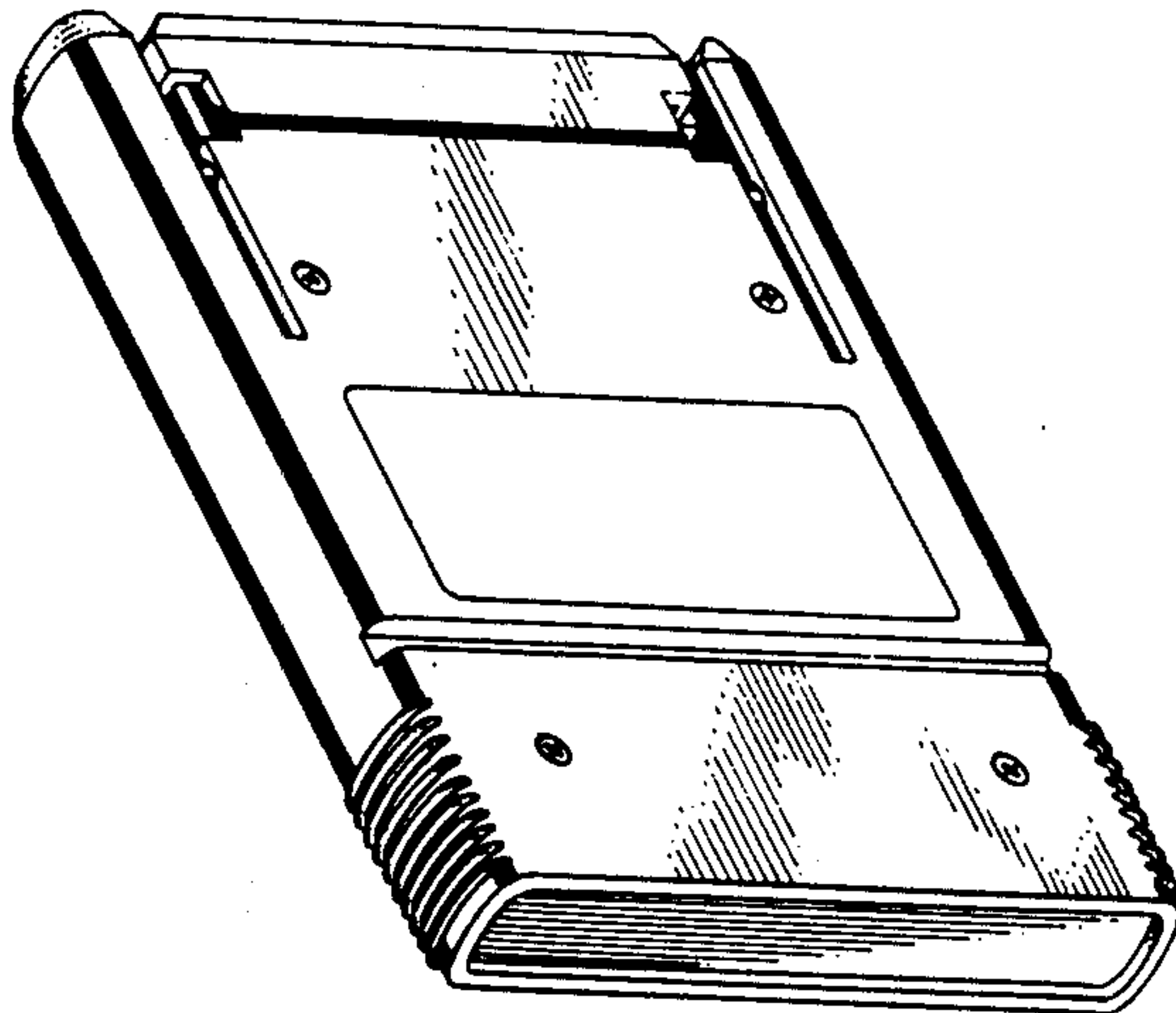
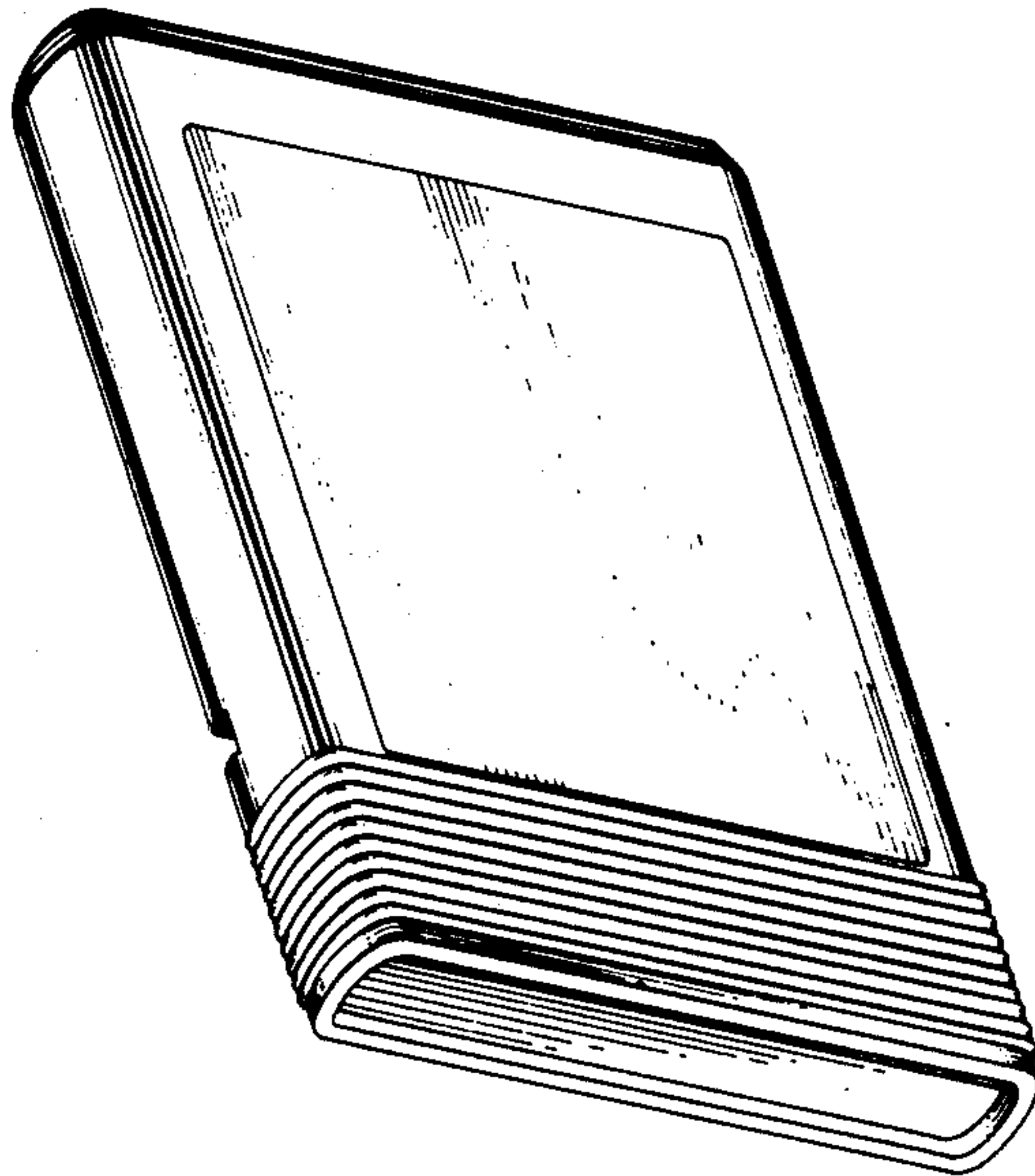
FIG. 2 is a bottom rear perspective view thereof, taken at a reduced scale;

FIG. 3 is a bottom rear perspective view with the cover for the contact end portion in an open position;

FIG. 4 is a bottom plan view of the cartridge;

FIG. 5 is an end elevation view with the contact end portion in a closed position; and

FIG. 6 is an end elevation with the contact end portion in an open position.



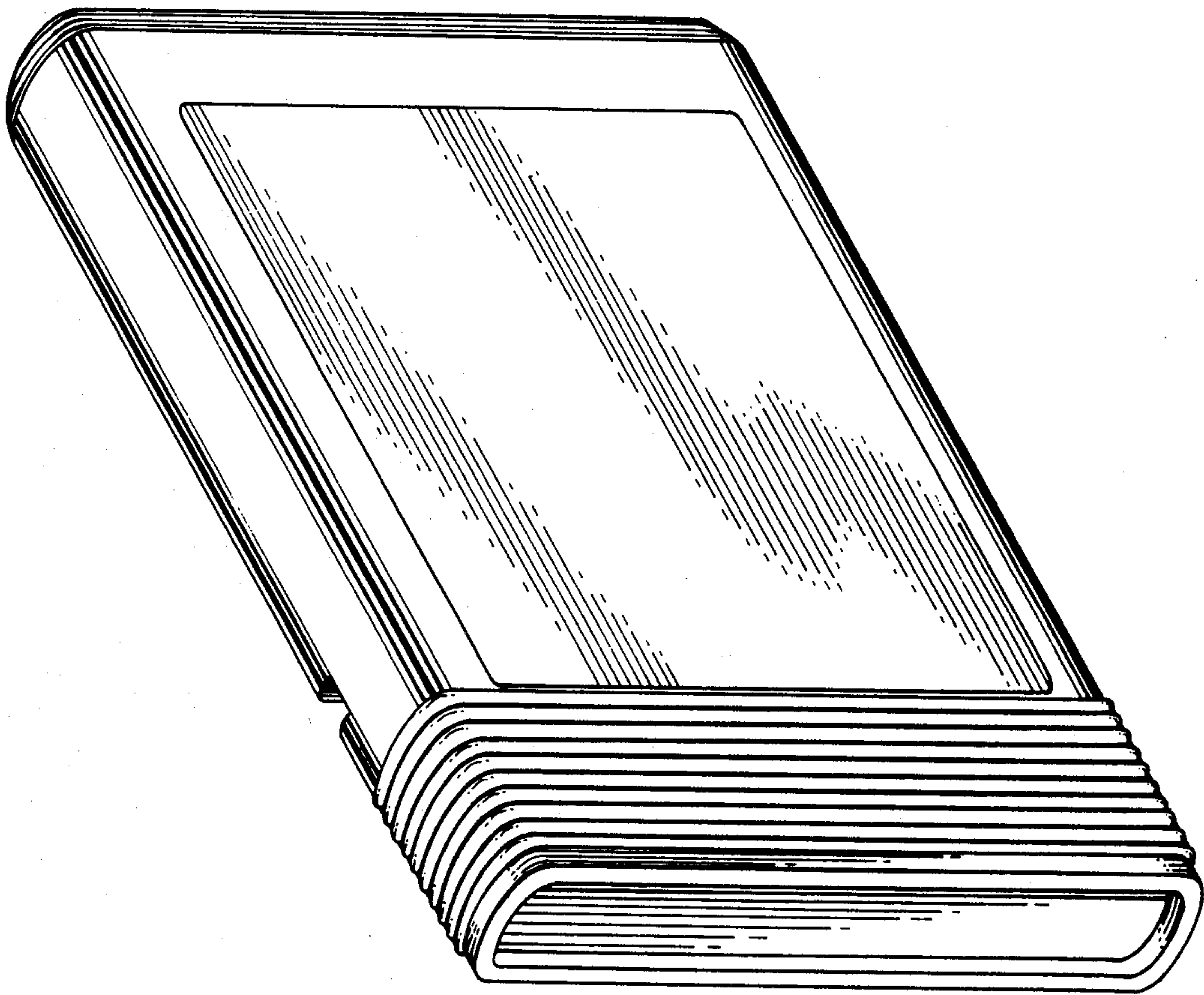


Fig.- 1

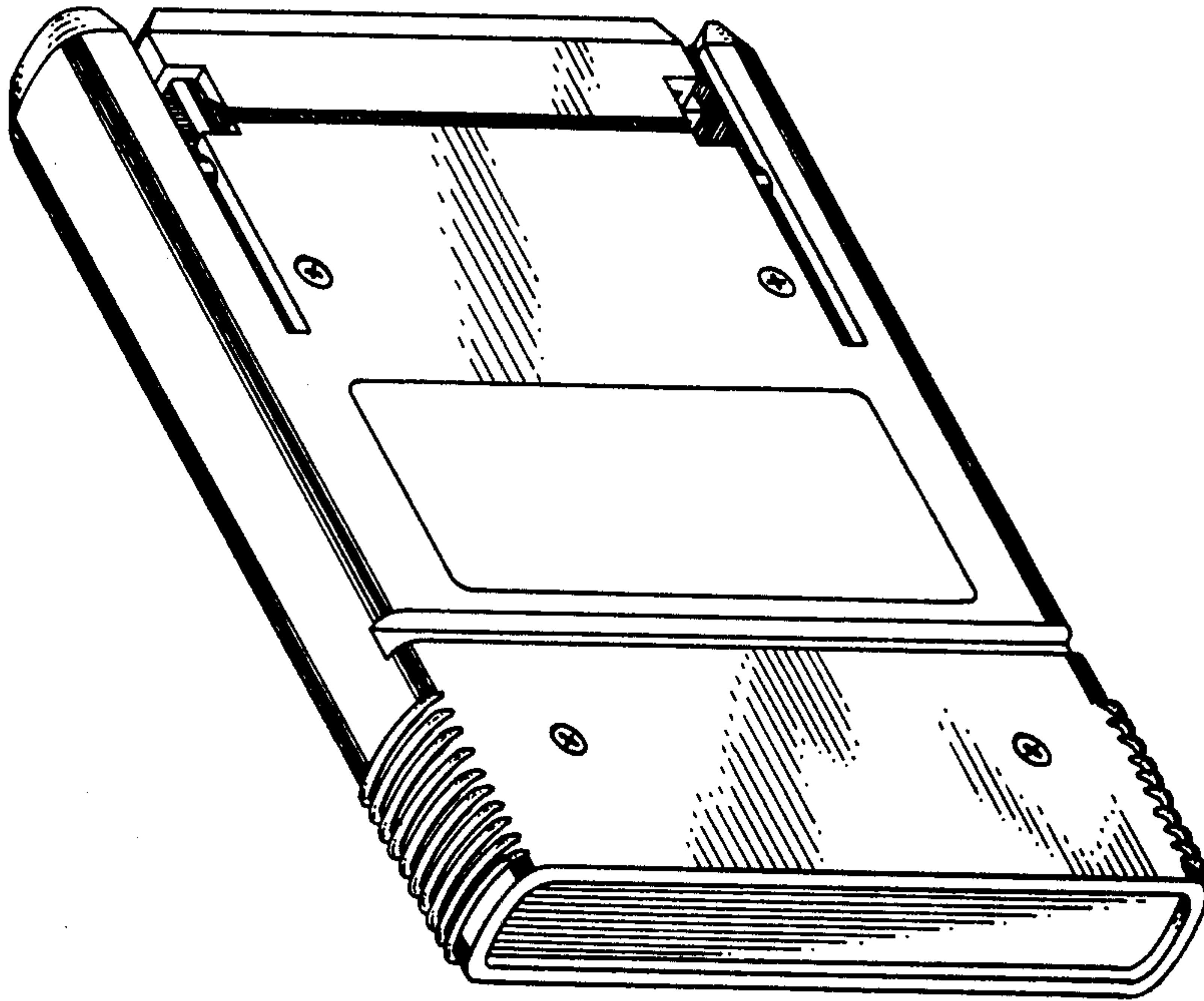


Fig. - 2

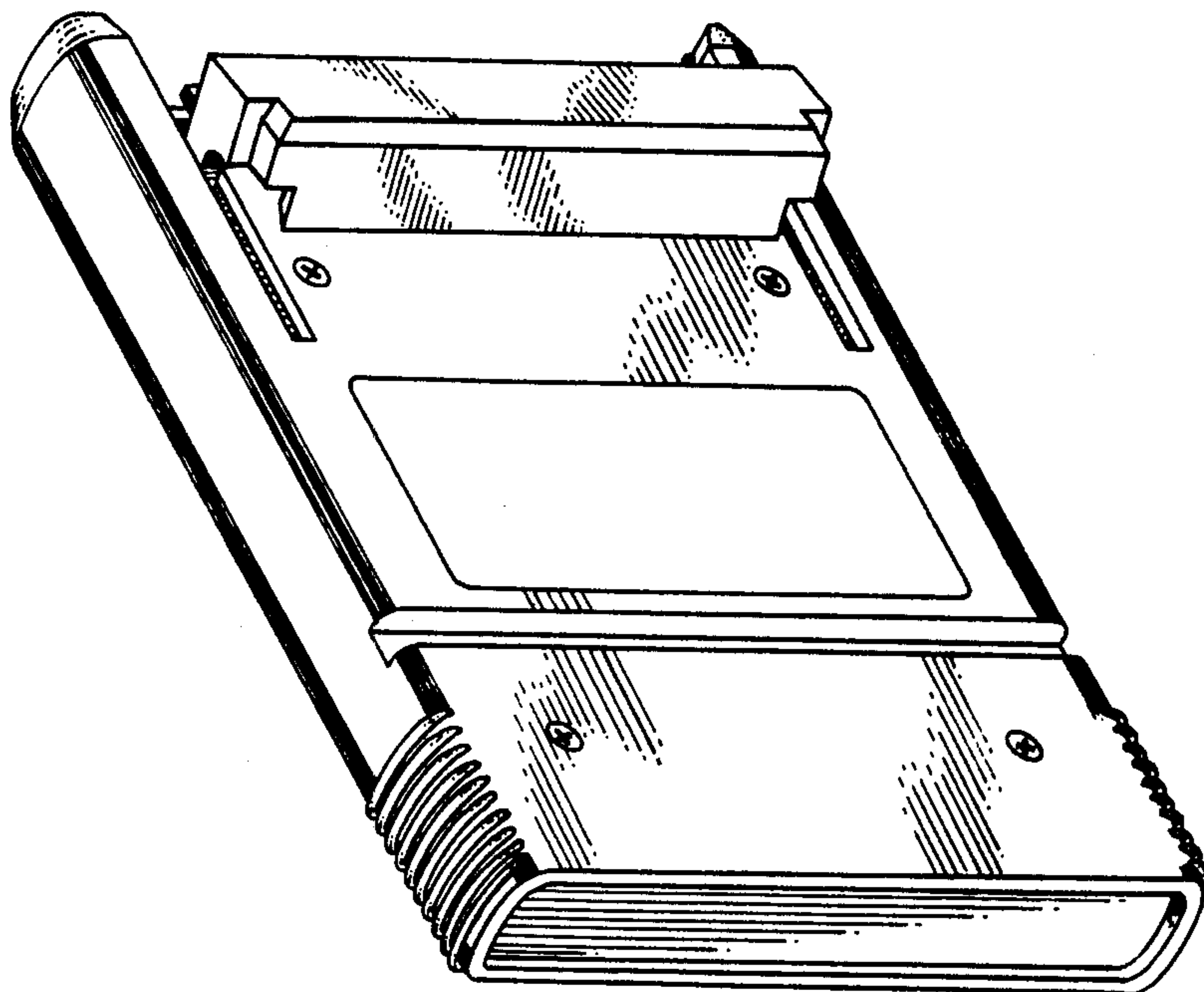


Fig. - 3

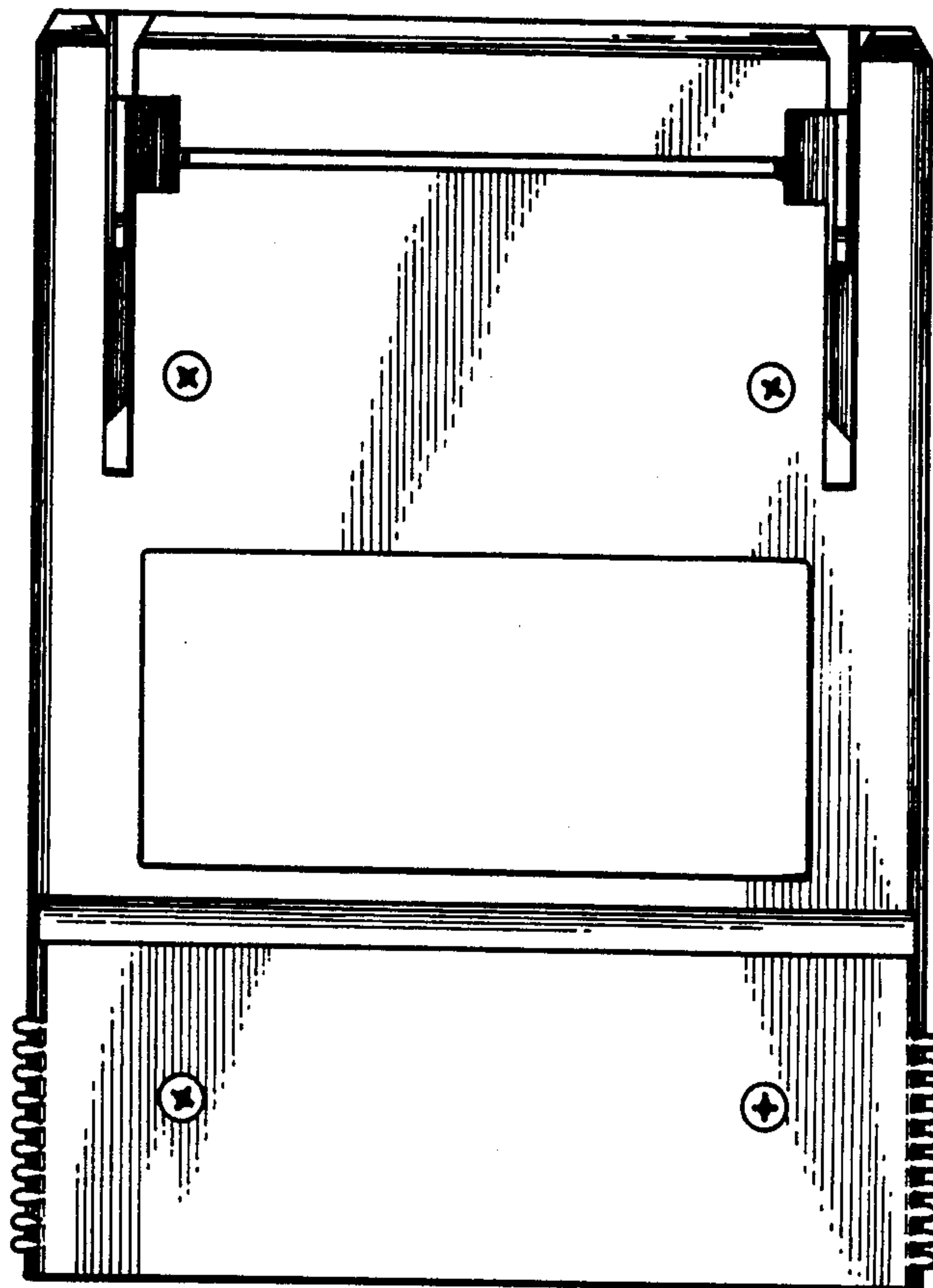


Fig.- 4

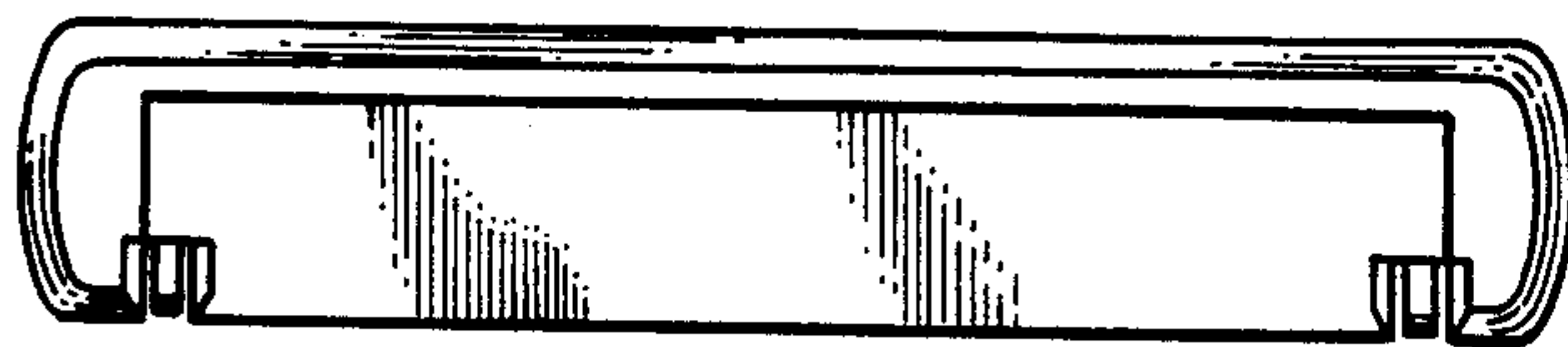


Fig. - 5

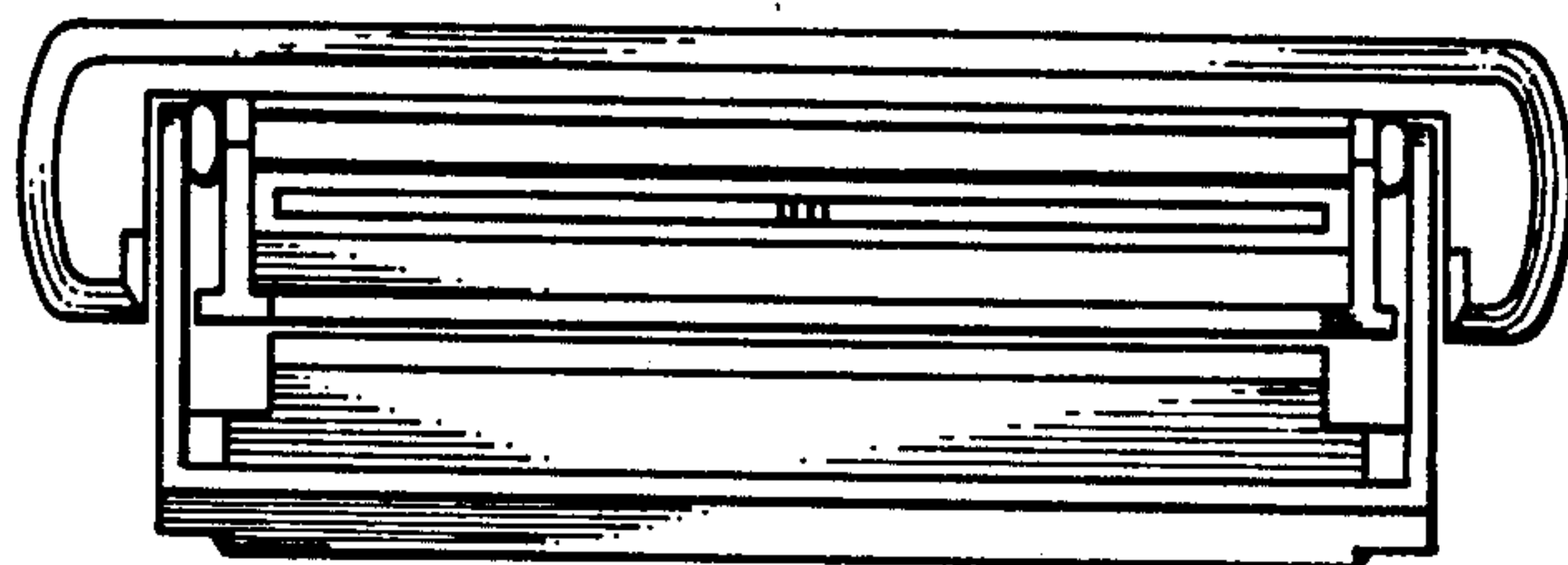


Fig. - 6