

[54] TAPE CASSETTE

[75] Inventor: Shigeo Takahashi, Urawa, Japan

[73] Assignee: Sony Corporation

[**] Term: 14 Years

[21] Appl. No.: 686,035

[22] Filed: May 13, 1976

[30] Foreign Application Priority Data

Nov. 14, 1975 [JP] Japan 50/045126

[51] Int. Cl. D14-99

[52] U.S. Cl. D14/11

[58] Field of Search D14/11; 242/198, 199; 360/132, 74; D87/1 D

[56]

References Cited

U.S. PATENT DOCUMENTS

| | | | |
|------------|--------|--------------------|---------|
| D. 221,438 | 8/1971 | Saito | D14/11 |
| 3,718,290 | 2/1973 | Wright | 242/199 |
| 3,791,608 | 2/1974 | Akashi et al. | 242/199 |
| 4,011,593 | 3/1977 | Gaiser et al. | 242/199 |

Primary Examiner—Bernard Ansher

Attorney, Agent, or Firm—Lewis H. Eslinger

[57]

CLAIM

The ornamental design for a tape cassette, as shown.

DESCRIPTION

FIG. 1 is a front perspective view of a tape cassette embodying my new design;

FIG. 2 is a rear elevation view of the tape cassette;

FIG. 3 is a side elevation view of the tape cassette; and

FIG. 4 is a bottom plan view of the tape cassette.

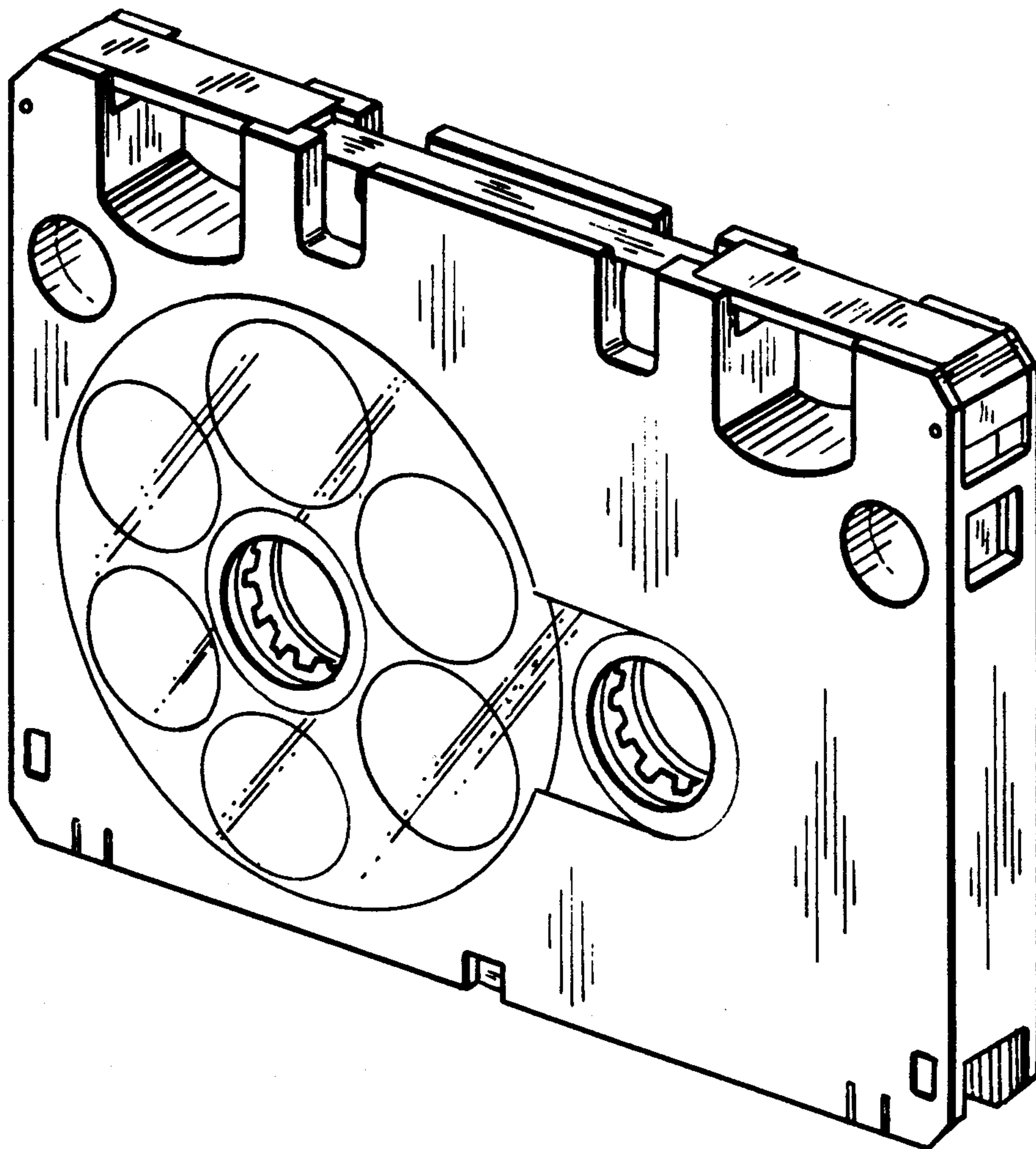


FIG. 1

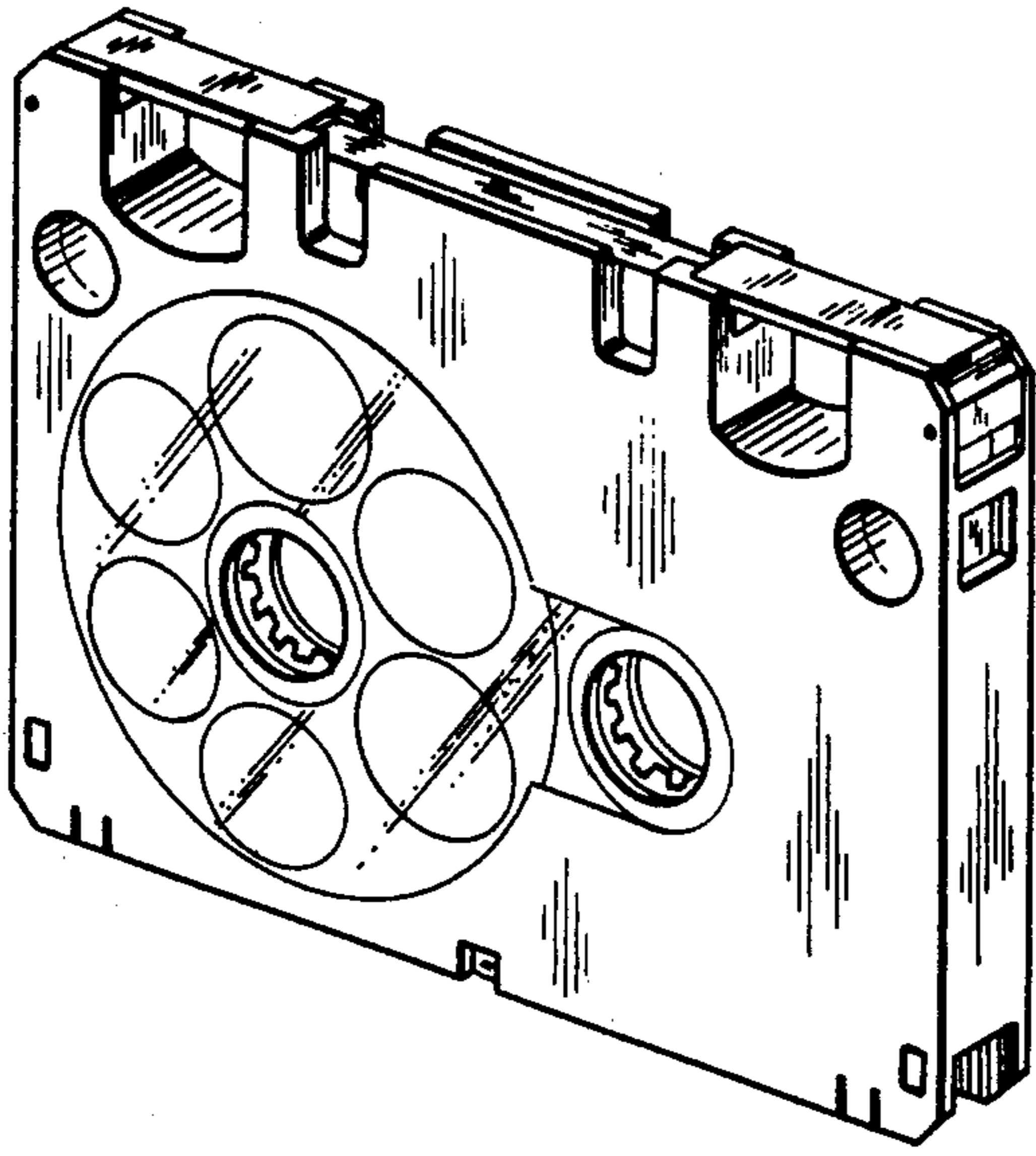


FIG. 3

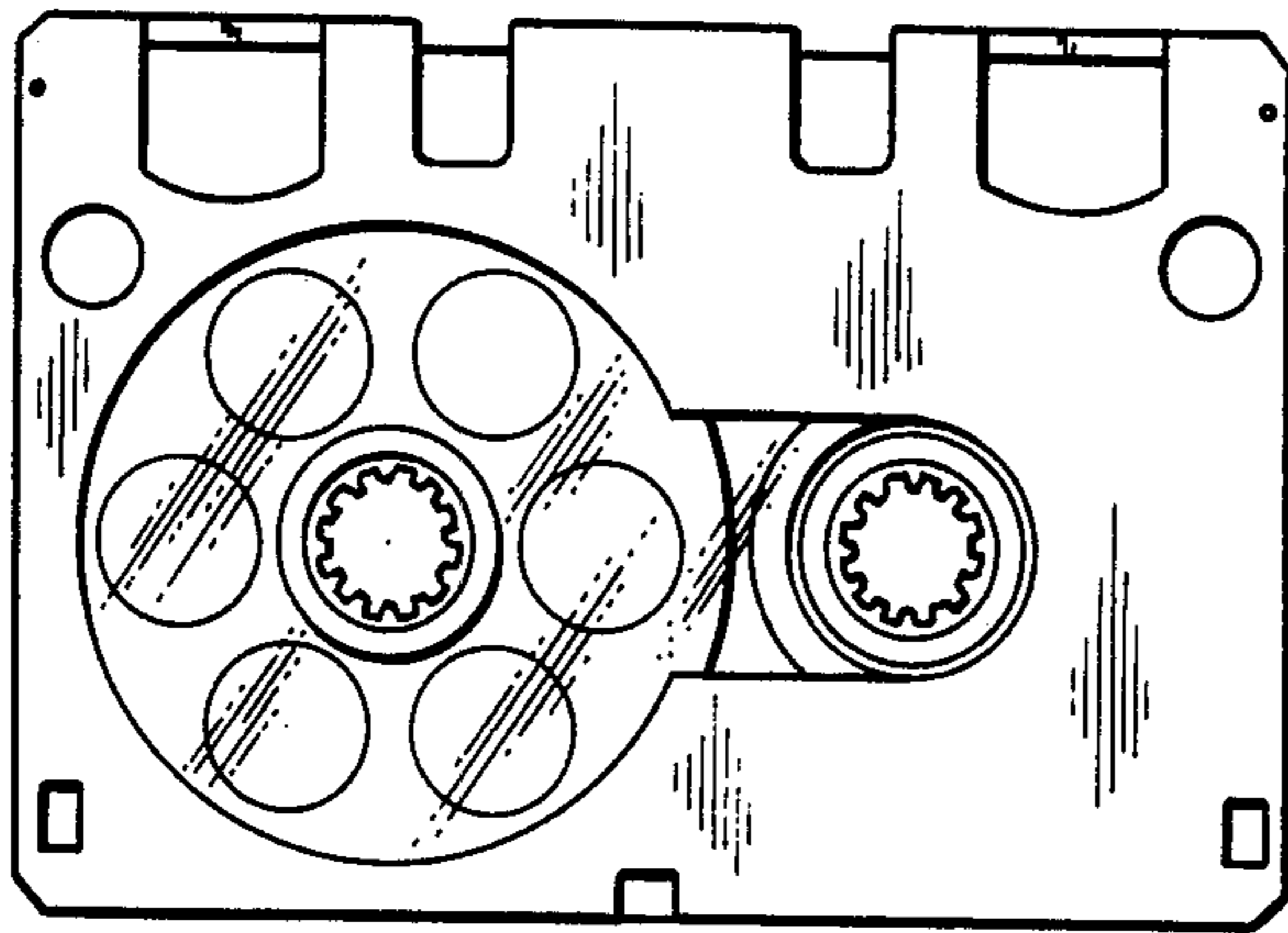
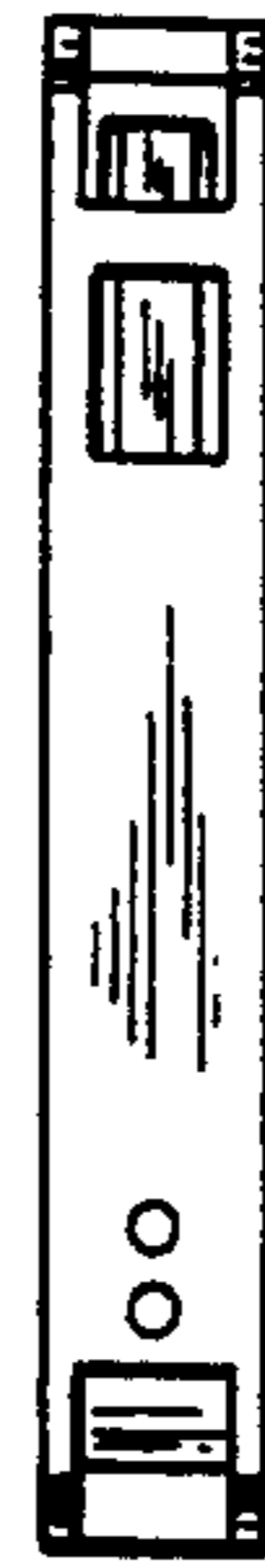


FIG. 2



FIG. 4