

[54] **PLUG FOR MULTICONDUCTOR PATCHING APPARATUS**

[75] **Inventors:** Charles Louis Roberts, Alexandria; Jacob Lightsey Wallace, Jr., Springfield, both of Va.

[73] **Assignee:** Atlantic Research Corporation, Alexandria, Va.

[**] **Term:** 14 Years

[21] **Appl. No.:** 709,937

[22] **Filed:** Jul. 29, 1976

[51] **Int. Cl.** D13-03

[52] **U.S. Cl.** D13/24

[58] **Field of Search** D13/12, 24, 27, 28, D13/99; 339/48, 49 R, 49 B, 195 A, 195 R, 195 M, 196, 126 R

[56] **References Cited**

U.S. PATENT DOCUMENTS

2,707,733 5/1955 Steinharter 339/195 R X
3,092,698 6/1963 Brenneman 339/126 R X

FOREIGN PATENT DOCUMENTS

6,607,317 5/1966 Netherlands 339/195 M

Primary Examiner—Susan J. Lucas
Attorney, Agent, or Firm—Burton L. Lilling

[57] **CLAIM**

The ornamental design for a plug for multiconductor patching apparatus, as shown and described.

DESCRIPTION

FIG. 1 is a perspective view of the plug for multiconductor patching apparatus of the present invention, showing one end and one side portion thereof;

FIG. 2 is a perspective view similar to FIG. 1, showing the opposite ends thereof;

FIG. 3 is a reduced side elevational view showing the side portion of the apparatus opposite to that shown in FIGS. 1 and 2;

FIG. 4 is a perspective view of a modified form of the plug for multiconductor patching apparatus of the present invention, showing one end and one side portion thereof;

FIG. 5 is a perspective view similar to FIG. 4 showing the other end of the apparatus of the present invention; and

FIG. 6 is a reduced side elevational view, showing the side portion of the apparatus of the present invention opposite to that shown in FIGS. 4 and 5.

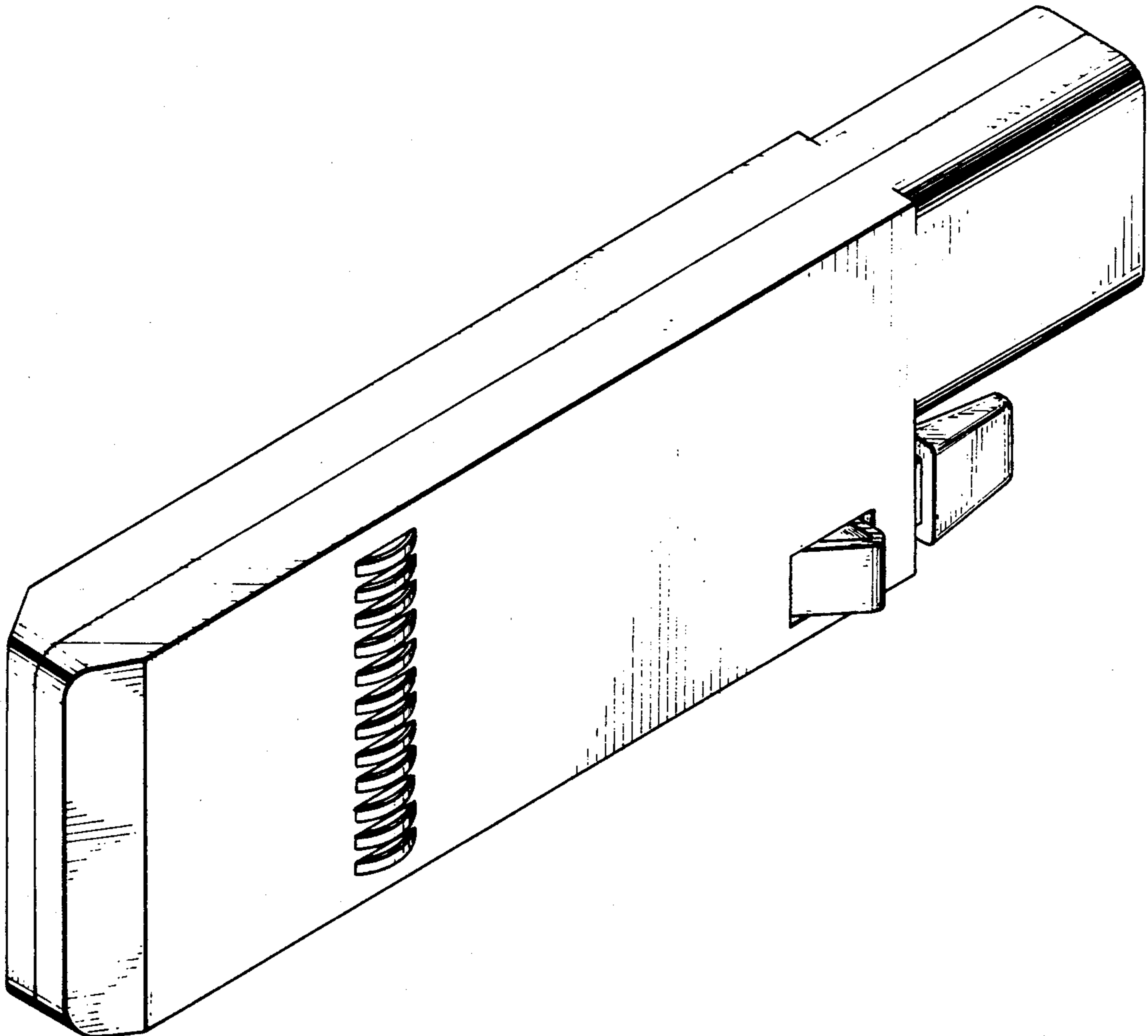


FIG. 1

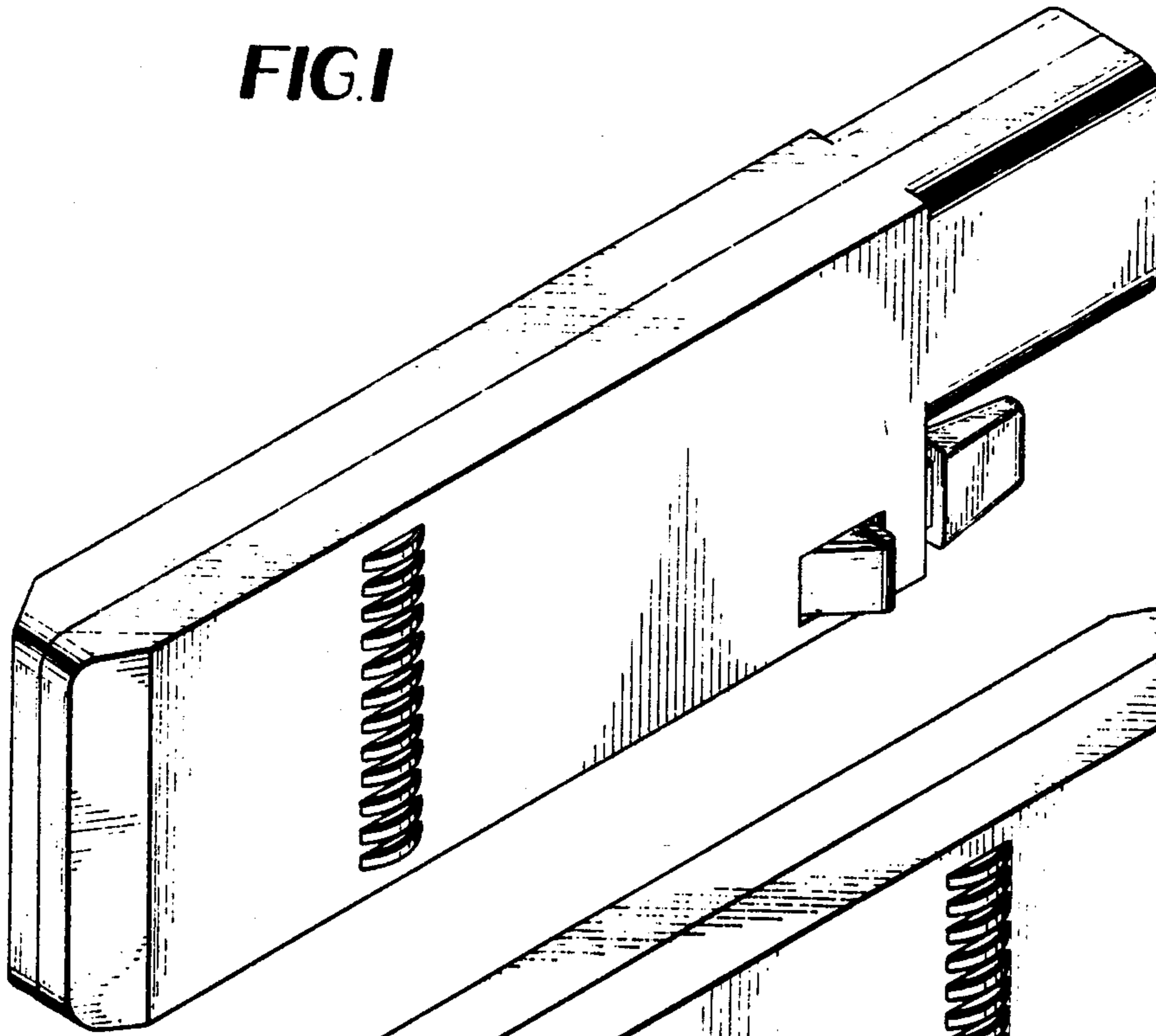


FIG. 2

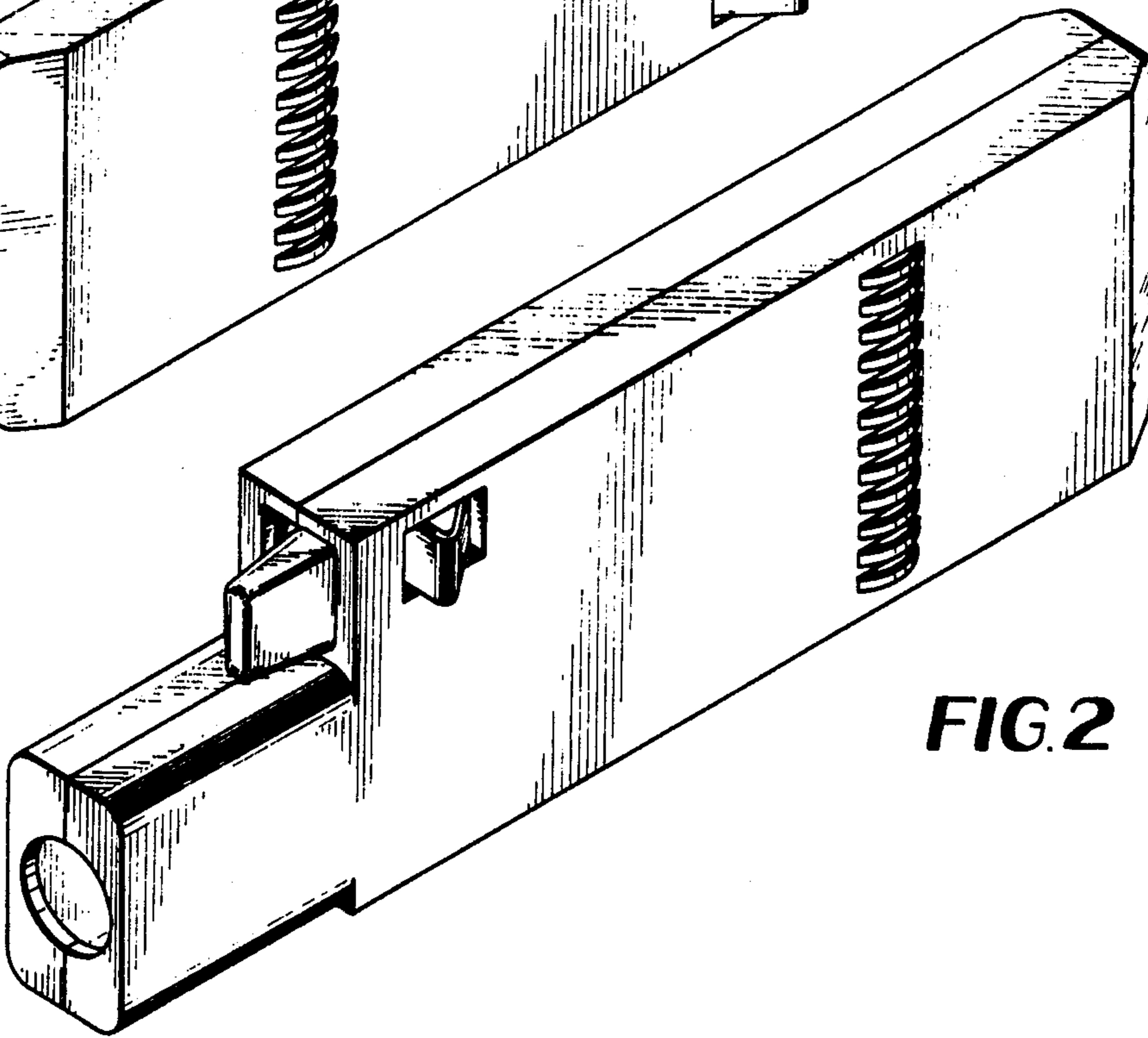


FIG. 3

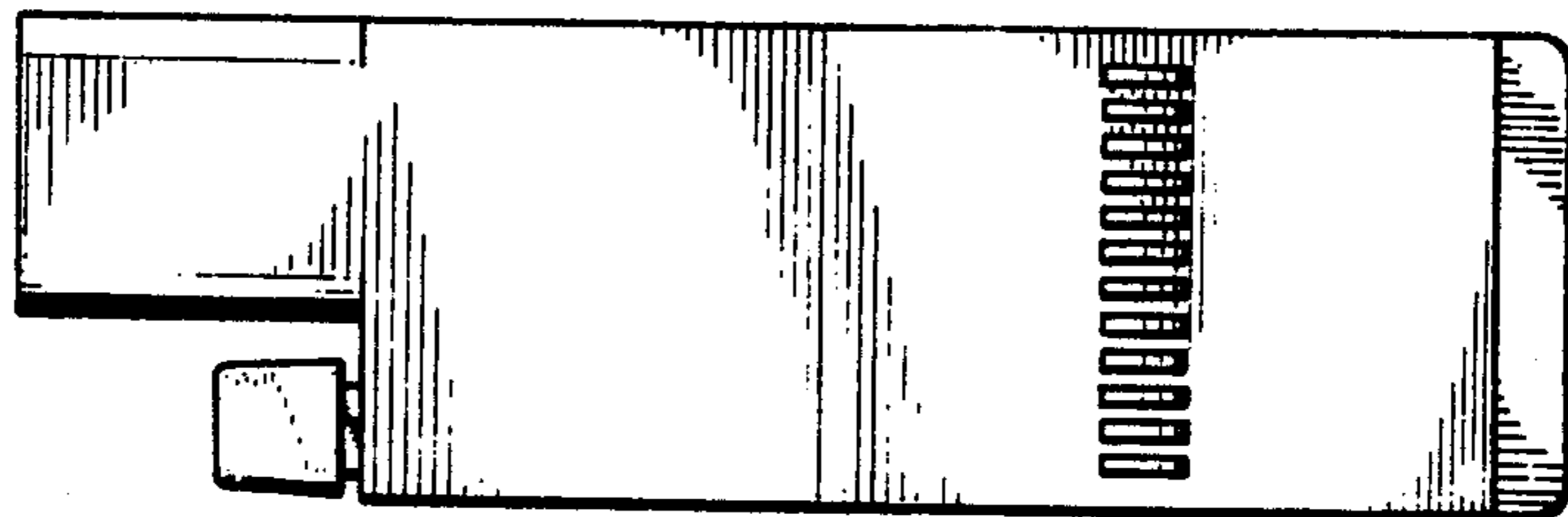


FIG. 4

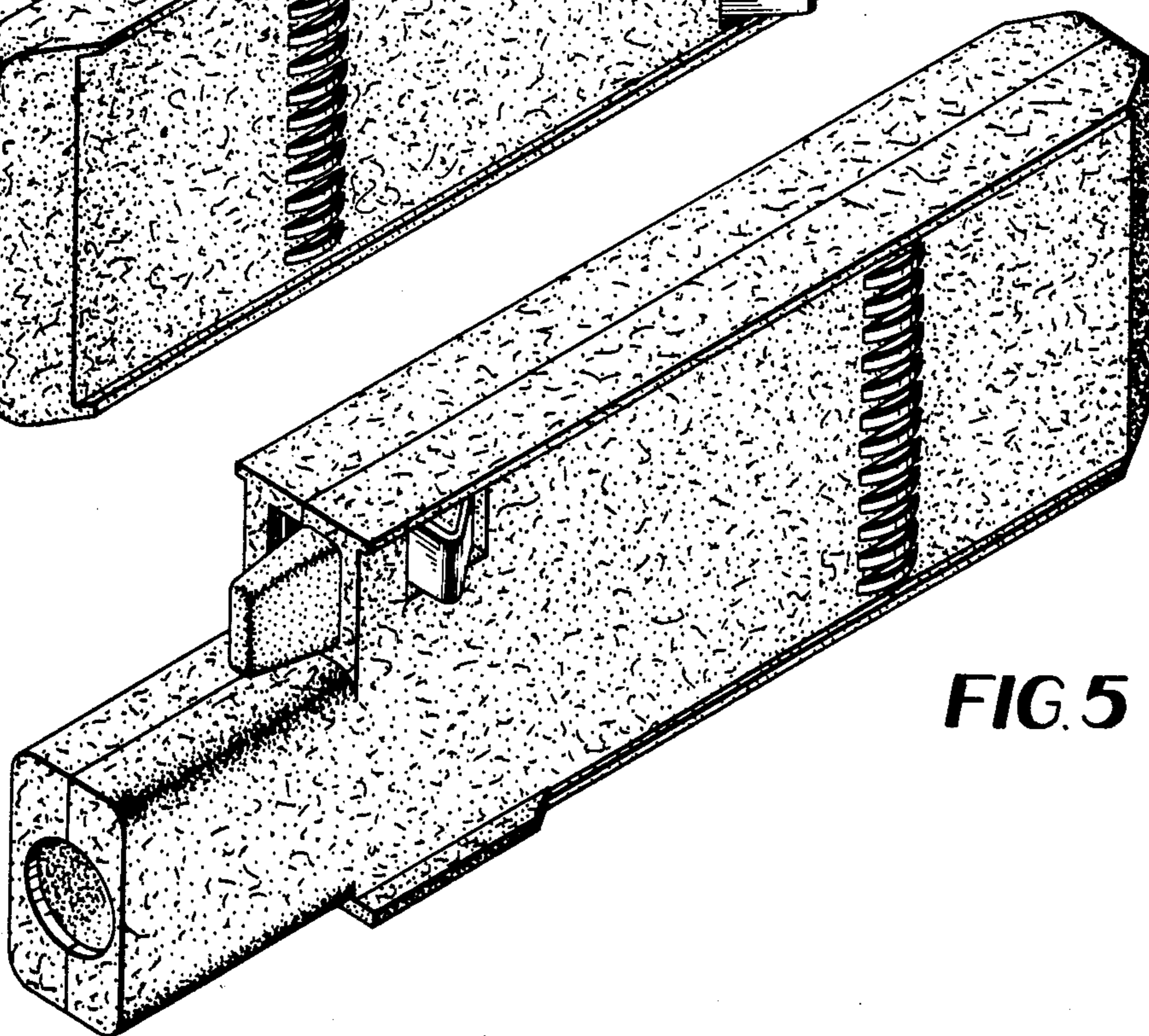
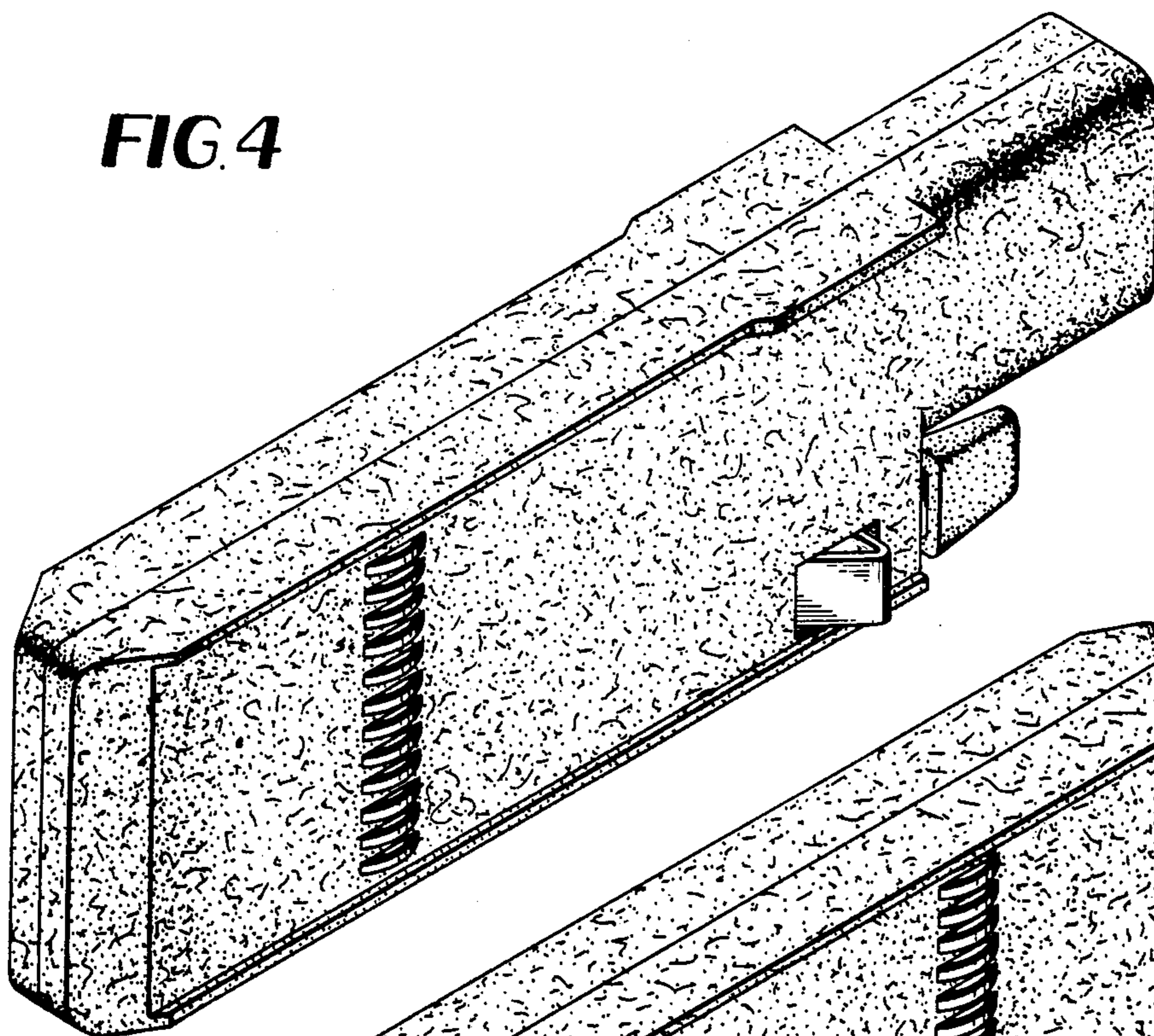


FIG. 5

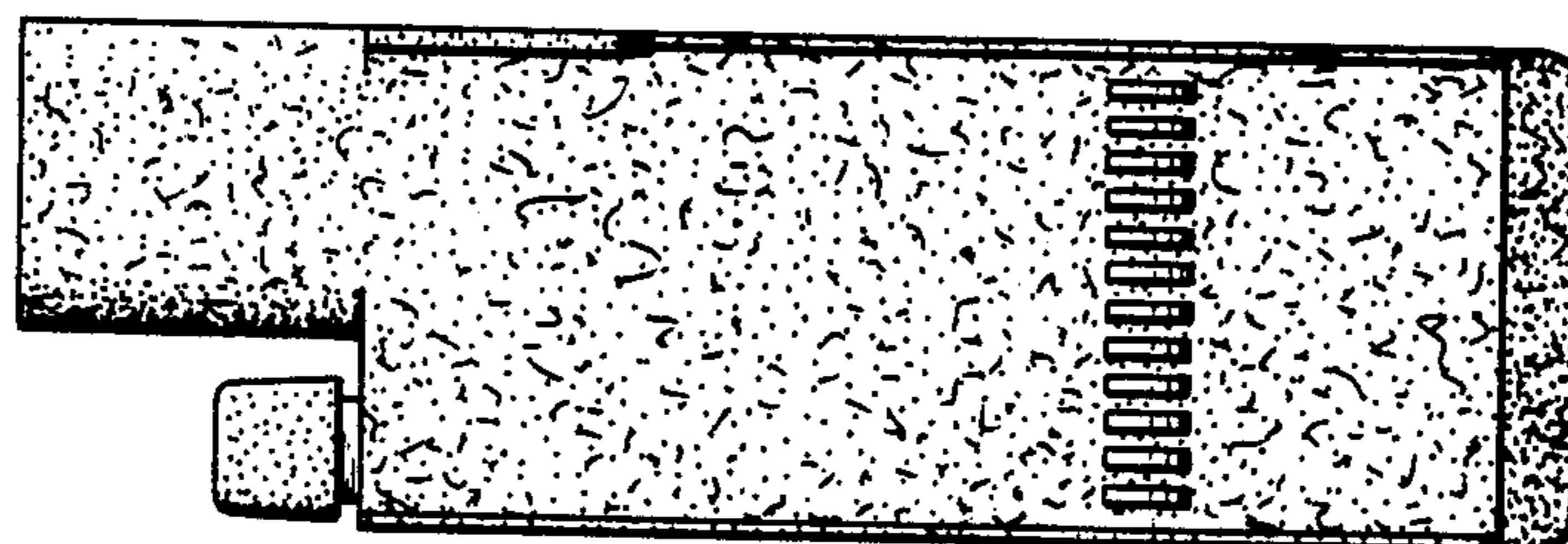


FIG. 6