

[54] **INSULATOR FOR SUPPORTING THE HEATING COIL OF AN ELECTRIC HEATER**

[75] Inventor: **John W. Moore, Max Meadows, Va.**

[73] Assignee: **Emerson Electric Co., St. Louis, Mo.**

[**] Term: **14 Years**

[21] Appl. No.: **744,183**

[22] Filed: **Nov. 22, 1976**

[51] Int. Cl. **D13-99**

[52] U.S. Cl. **D13/17**

[58] Field of Search **D23/82, 127, 133, 134, D23/167; D13/17, 18; 219/532; 338/290, 304, 305, 317, 321; 174/138 J; 13/25**

[56] **References Cited**

U.S. PATENT DOCUMENTS

D. 59,369	10/1921	Moffat	D13/18
D. 226,435	3/1973	Hackman	D13/18
1,679,841	8/1928	Shaw	219/532
1,698,282	1/1929	Simmons	338/290 X

2,834,867 5/1958 White 219/532

FOREIGN PATENT DOCUMENTS

2,418,868 4/1974 Fed. Rep. of Germany 219/532

1,003,610 9/1965 United Kingdom 219/532

Primary Examiner—James R. Largen

[57] **CLAIM**

The ornamental design for an insulator for supporting the heating coil of an electric heater, substantially as shown and described.

DESCRIPTION

FIG. 1 is an elevational view taken from one side of an insulator for supporting the heating coil of an electric heater showing my new design, the opposite side being a mirror image of the side shown,

FIG. 2 is an elevational view taken from one end thereof, the opposite end being a mirror image of the end shown, and

FIG. 3 is a cross sectional view taken on line 3—3 of FIG. 1.

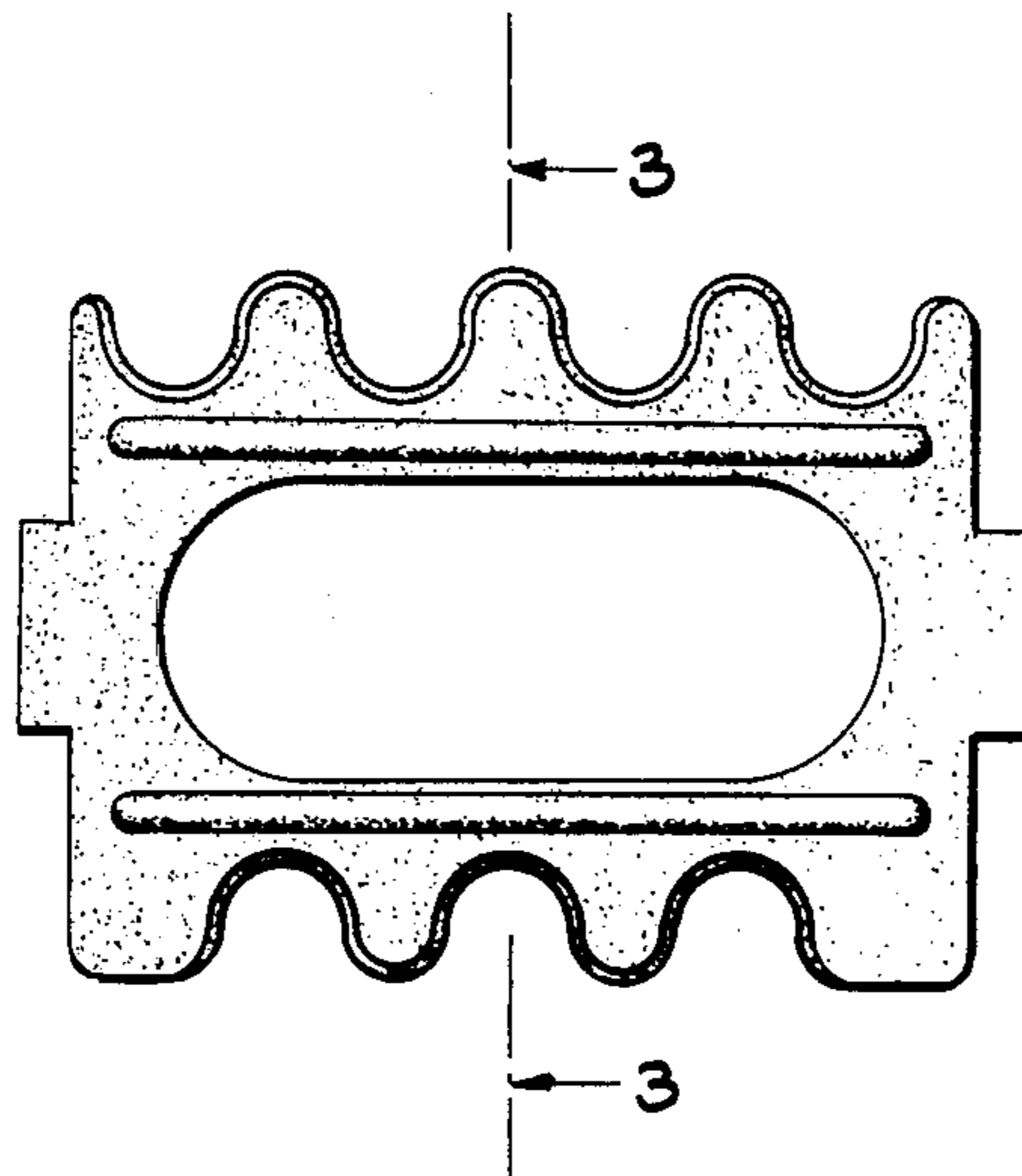


FIG. 1.

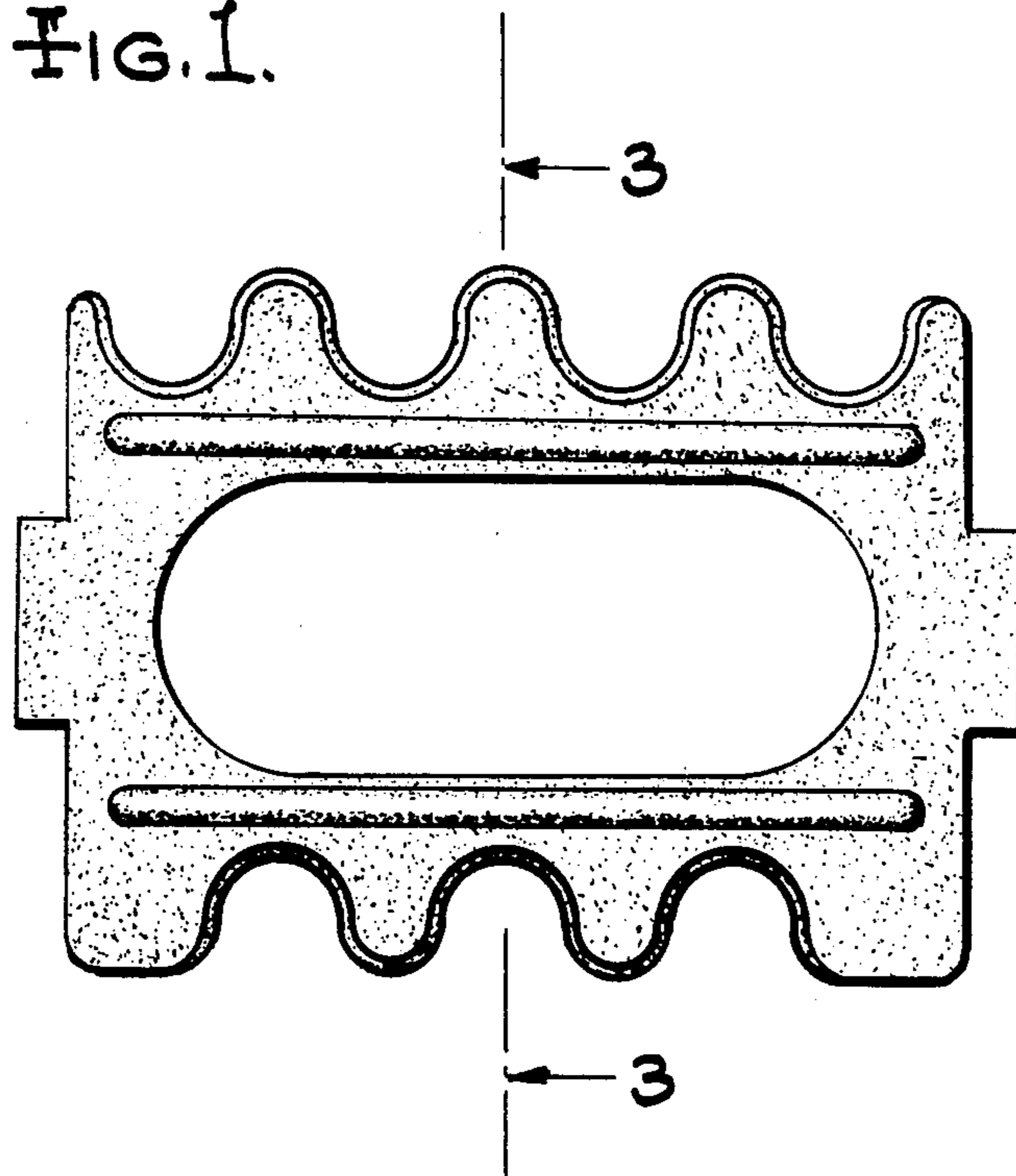


FIG. 2.

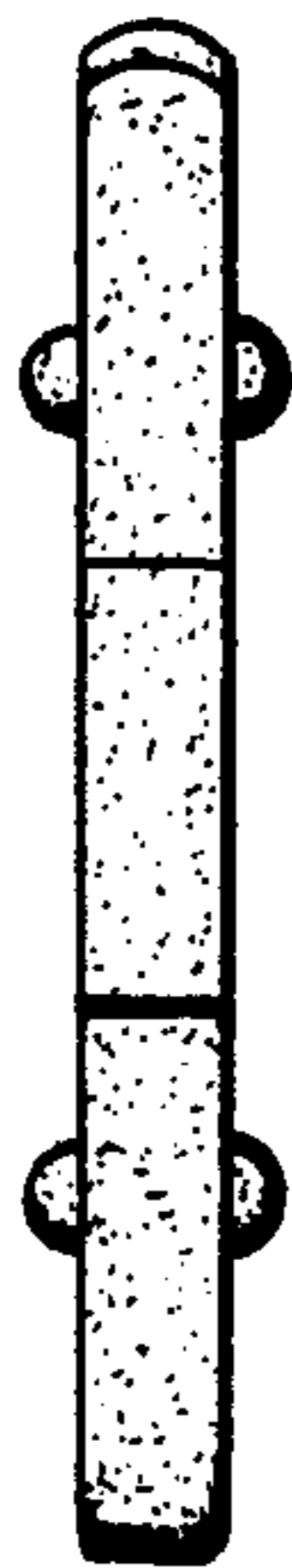


FIG. 3.

