

[54] BOAT CONTROL PANEL

[75] Inventor: Stuart D. Bell, Quincy, Ill.

[73] Assignee: Mecco-Lectro Products, Inc., Kansas City, Kans.

[**] Term: 14 Years

[21] Appl. No.: 724,908

[22] Filed: Sep. 20, 1976

[51] Int. Cl. D12-06; D12-16

[52] U.S. Cl. D12/192

[58] Field of Search D12/192; 220/74; D6/127, 128, 129, 130, 131, 114; 220/3.5, 3.2, 3.3; D13/30, 40; 312/242

[56] References Cited

U.S. PATENT DOCUMENTS

3,314,741	4/1967	Litner	312/242
3,620,404	11/1971	Grasso	312/242 X

Primary Examiner—Alan P. Douglas
Attorney, Agent, or Firm—Claude A. Fishburn

[57] CLAIM

The ornamental design for a boat control panel, as shown and described.

DESCRIPTION

FIG. 1 is a perspective view of the design for a boat control panel, the broken lines indicating the boat bow mounting environment and not forming a part of the design.

FIG. 2 is a front elevational view of the design of FIG. 1 on a larger scale.

FIG. 3 is a cross-sectional view of the design of FIG. 1, taken partially on the line 3—3, FIG. 2.

FIG. 4 is a side elevational view of the design of FIG. 1, the opposite side thereof being identical.

FIG. 5 is a top plan view of the design of FIG. 1, the bottom view thereof being identical.

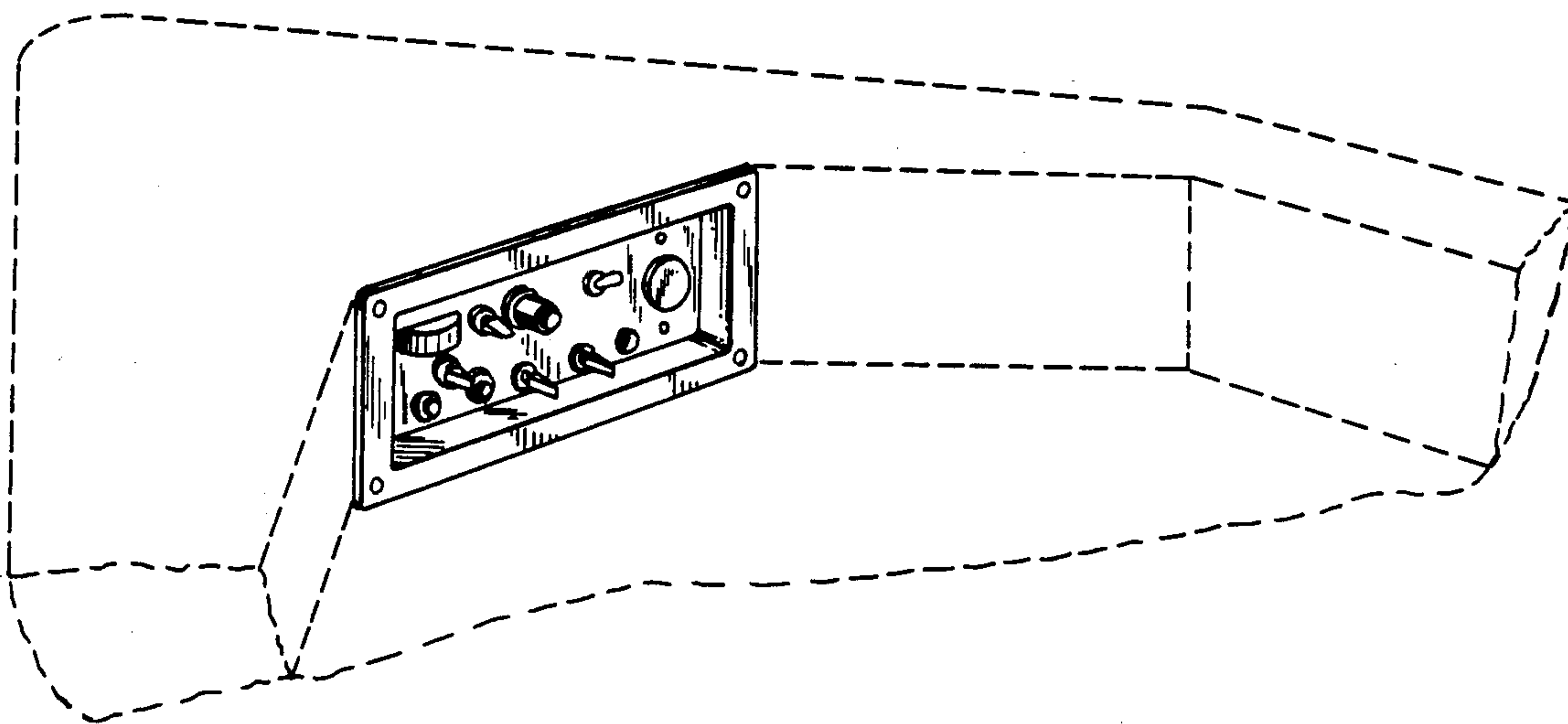


Fig. 1.

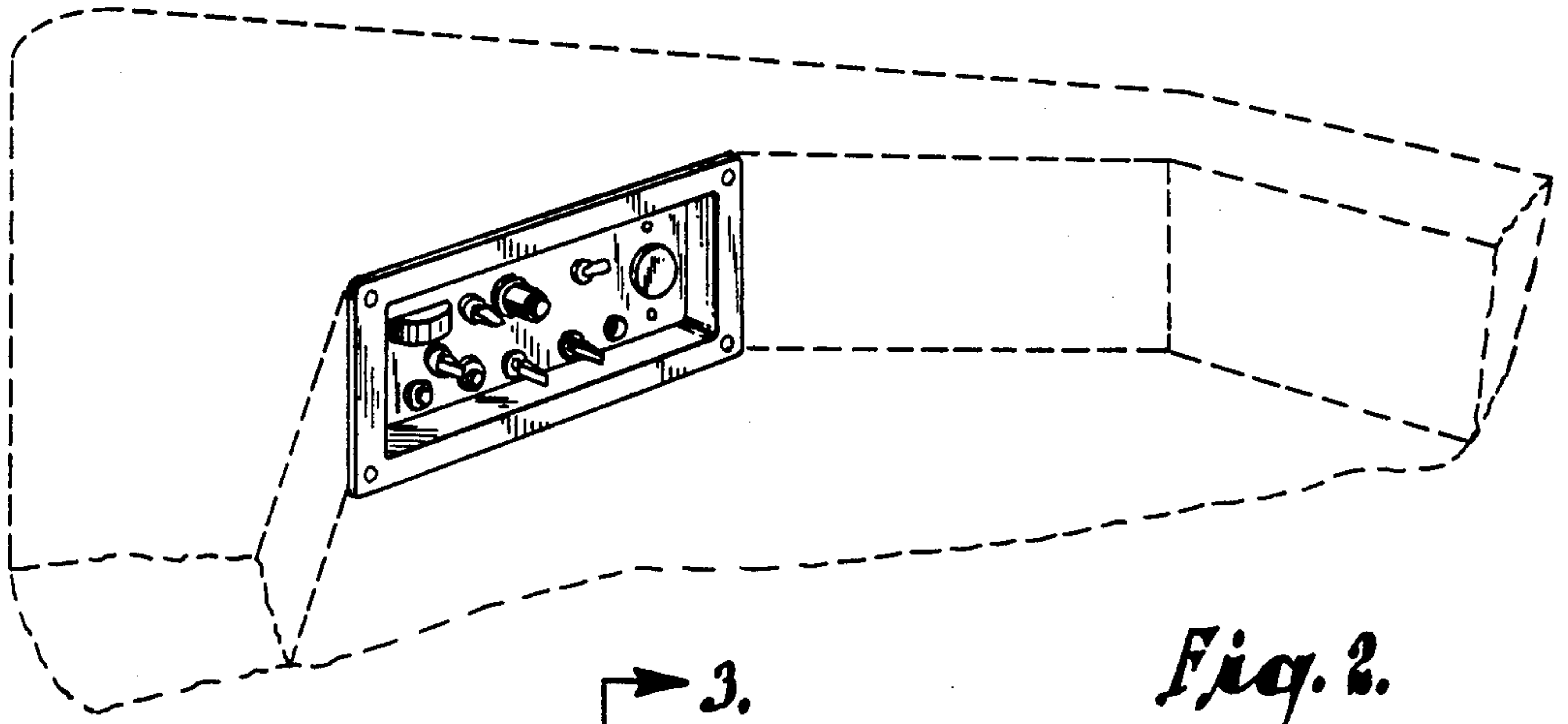


Fig. 2.

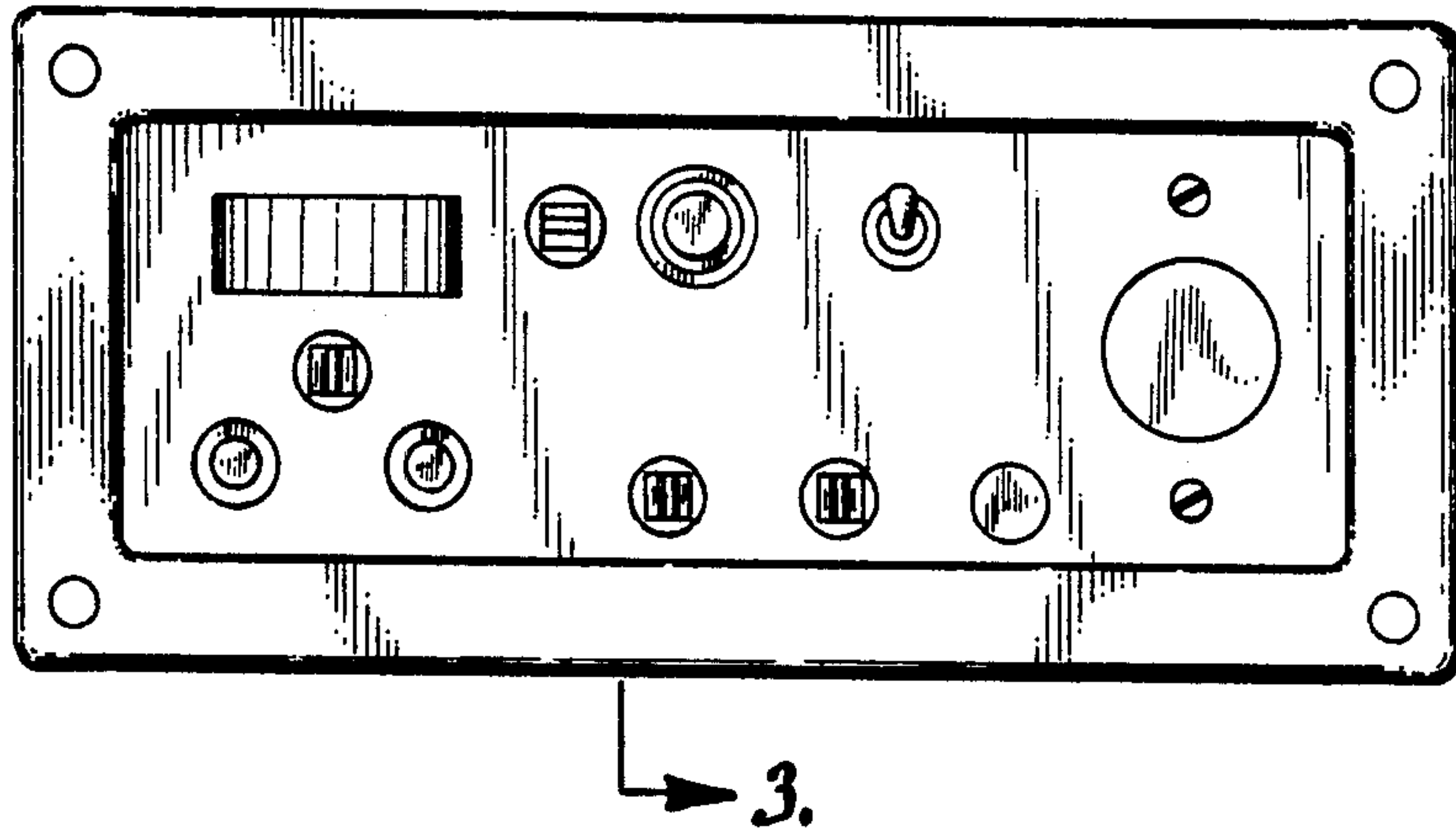


Fig. 3.



Fig. 4.



Fig. 5.

