

[54] COVER PLATE FOR A DIGITAL TEMPERATURE CONTROL

[75] Inventor: Edward T. Cunnie, Monroeville, Pa.

[73] Assignee: Emerson Electric Co., St. Louis, Mo.

[\*\*] Term: 14 Years

[21] Appl. No.: 686,125

[22] Filed: May 13, 1976

[51] Int. Cl. .... D10-07

[52] U.S. Cl. .... D10/60

[58] Field of Search ..... D10/46, 60, 49-53, D10/102-103; 165/26; 337/186, 414; 236/68 R; D13/12, 32, 35, 37; D14/96, 58-60

[56] References Cited

U.S. PATENT DOCUMENTS

D. 227,905 7/1973 Takeoka ..... D14/96

D. 238,181 12/1975 Roller ..... D13/35  
4,008,756 2/1977 Hufford ..... 165/26

OTHER PUBLICATIONS

Simpson Cat. #4100A, 1971, p. 17, Dig. Panel Meter at bottom.

Cherry Cat. C-70, 1970, p. 15, slide switch at top.

Primary Examiner—Nelson C. Holtje

Attorney, Agent, or Firm—Michael Williams

[57] CLAIM

The ornamental design for a cover plate for a digital temperature control, substantially as shown.

DESCRIPTION

FIG. 1 is a perspective view of a cover plate for a digital temperature control, showing my new design, the view looking from the front of the control, the rear of the control being unadorned.

FIG. 2 is a side elevational view thereof.

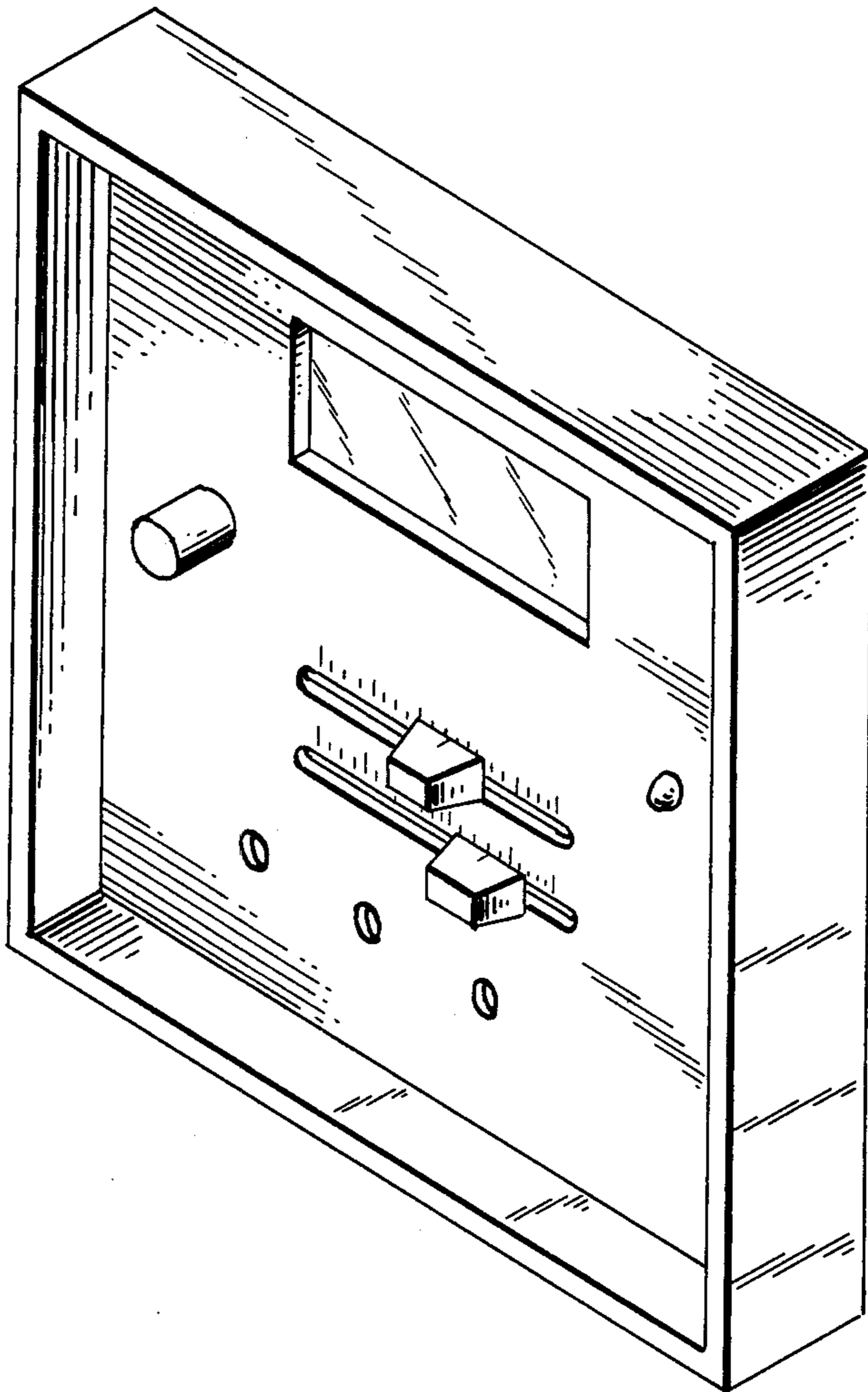


FIG. 1.

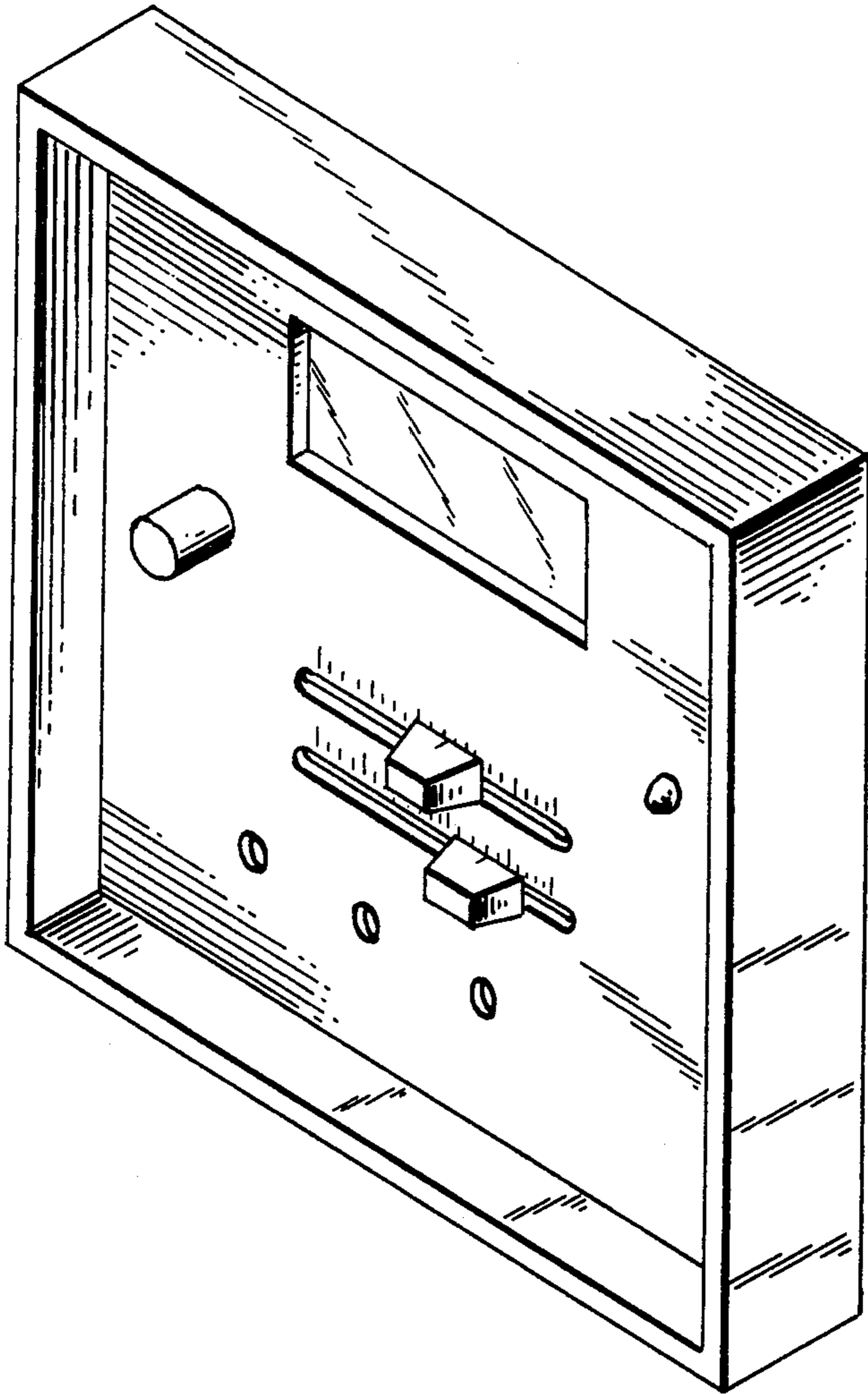


FIG. 2.

