

[54] RESEALING CLOSURE

[75] Inventor: Kenneth L. Summers, Hudson, Ind.

[73] Assignee: Riche Corporation

[**] Term: 14 Years

[21] Appl. No.: 691,611

[22] Filed: Jun. 1, 1976

[51] Int. Cl. D9-07

[52] U.S. Cl. D9/254

[58] Field of Search 217/110; 220/200; 79/254, 267, 288, 287; 222/566, 556

[56] References Cited

U.S. PATENT DOCUMENTS

D. 34,955	8/1901	Thatcher	D9/254
D. 216,678	3/1970	Wilcox	D9/254
D. 226,180	1/1973	Lutzker	D9/254
3,432,069	3/1969	Craig	D9/288 X
3,945,529	3/1976	Haag	222/566 X
3,966,080	6/1976	Bittel	222/556 X
3,982,649	9/1976	Wanderer	217/110 X

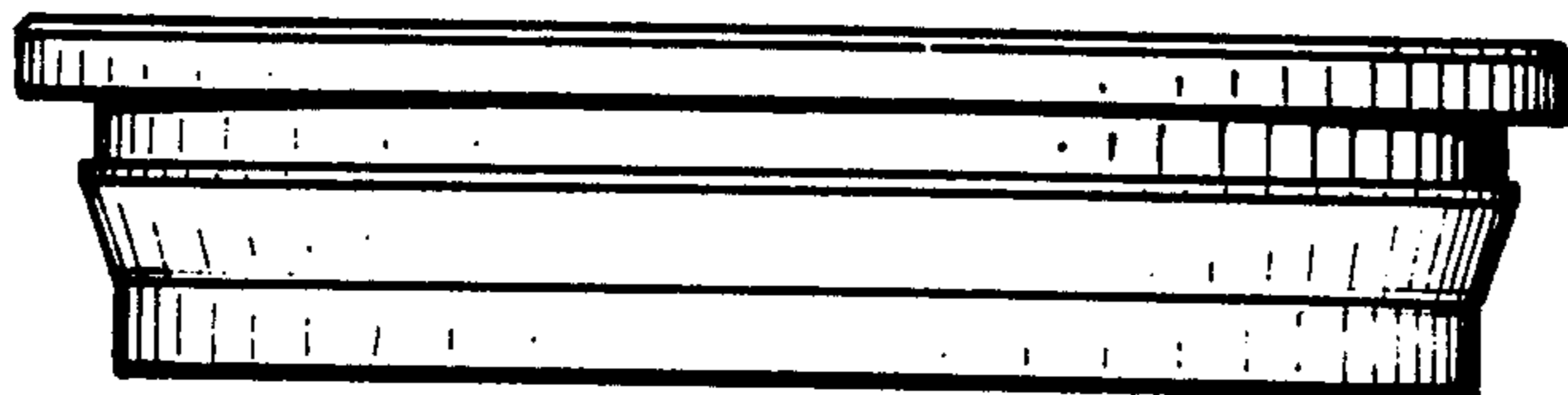
Primary Examiner—Robert C. Spangler
Attorney, Agent, or Firm—Harold R. Woodard

[57] CLAIM

The ornamental design for a resealing closure, as shown and described.

DESCRIPTION

FIG. 1 is a top plan view of a resealing closure showing my new design;
 FIG. 2 is a side elevational view thereof;
 FIG. 3 is a bottom plan view thereof;
 FIG. 4 is a sectional view looking in the direction of arrows 4—4 of FIG. 1 thereof;
 FIG. 5 is a sectional view looking in the direction of arrows 5—5 of FIG. 1 thereof;
 FIG. 6 is a top plan view of a modified form of my new design;
 FIG. 7 is a side elevational view thereof;
 FIG. 8 is a bottom plan view thereof;
 FIG. 9 is a sectional view looking in the direction of arrows 9—9 of FIG. 6 thereof; and,
 FIG. 10 is a sectional view looking in the direction of arrows 10—10 of FIG. 6 thereof.



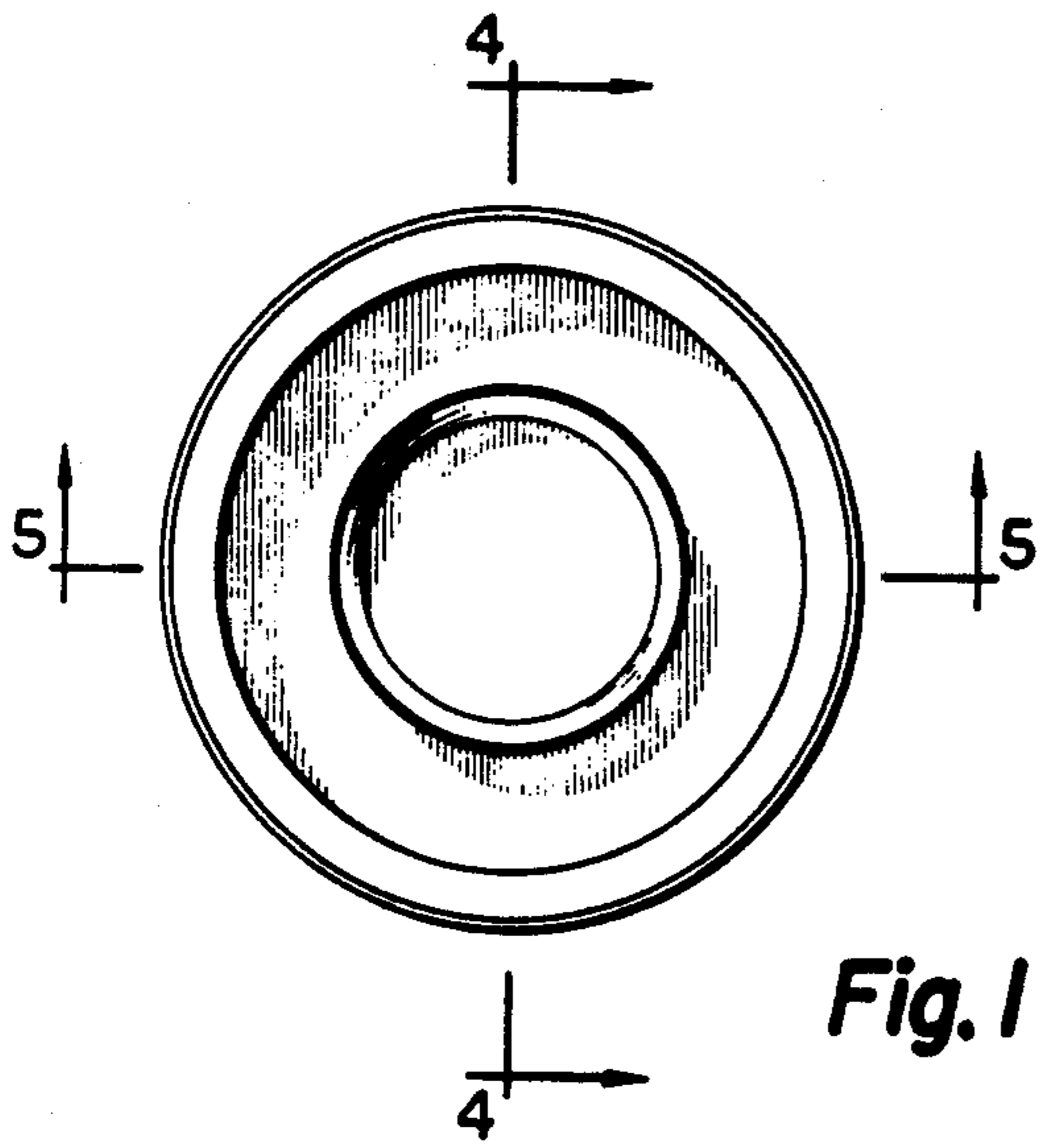


Fig. 1



Fig. 4

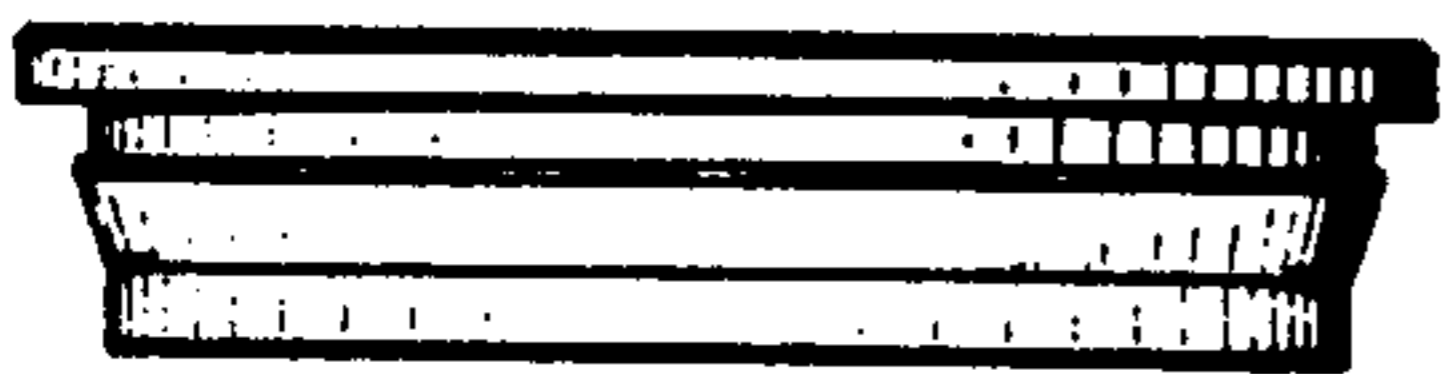


Fig. 2



Fig. 5

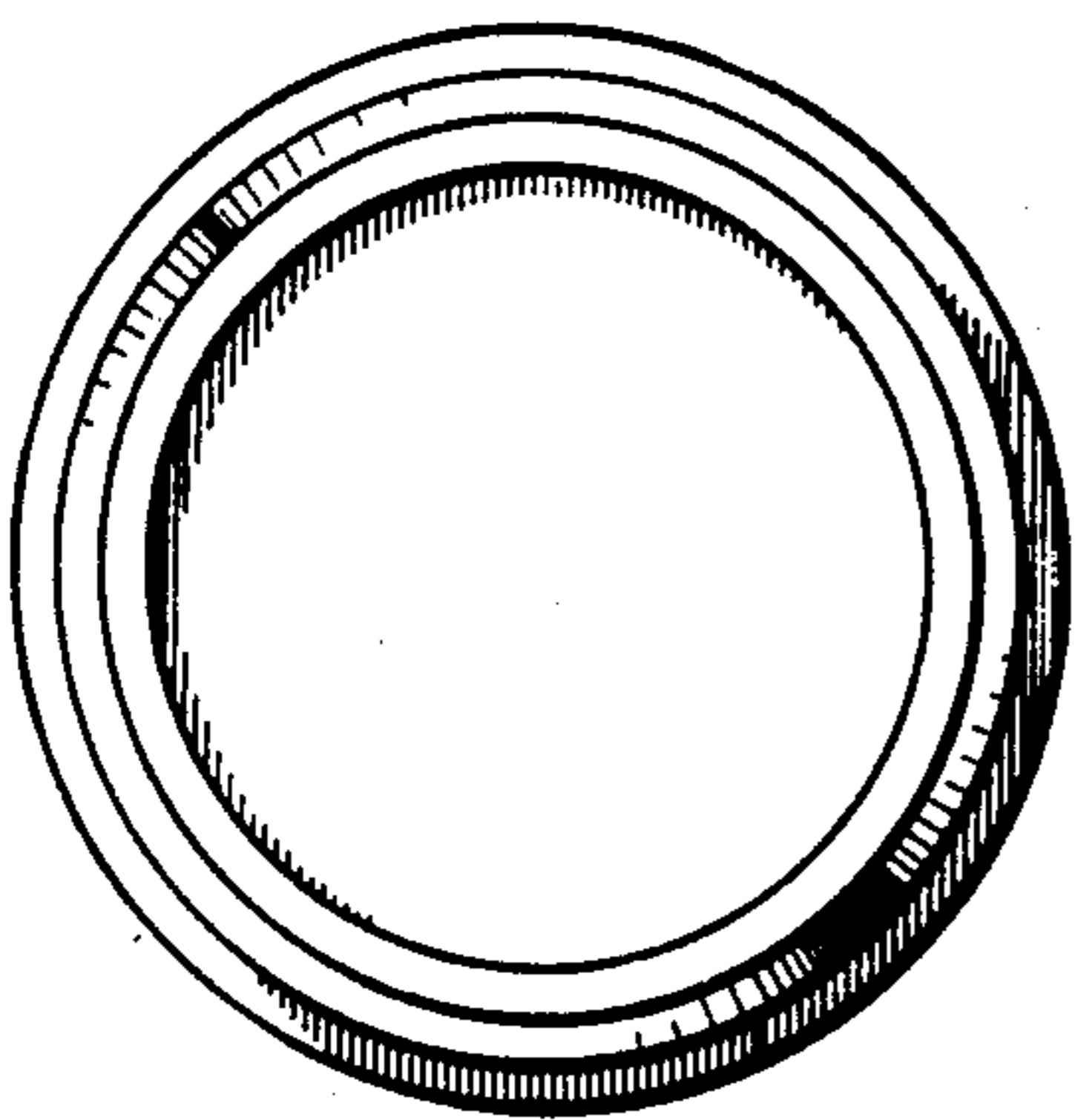


Fig. 3

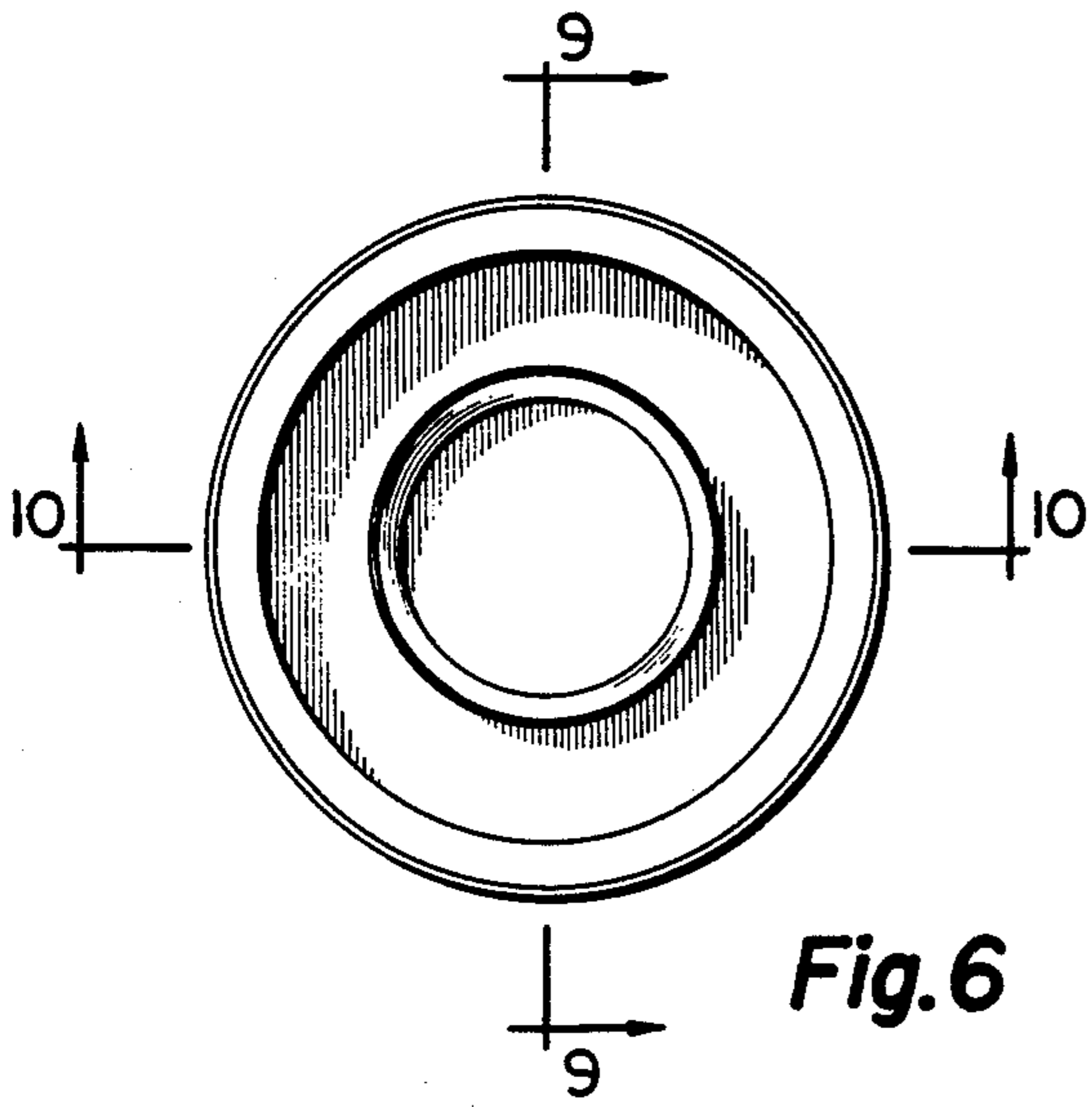


Fig. 9

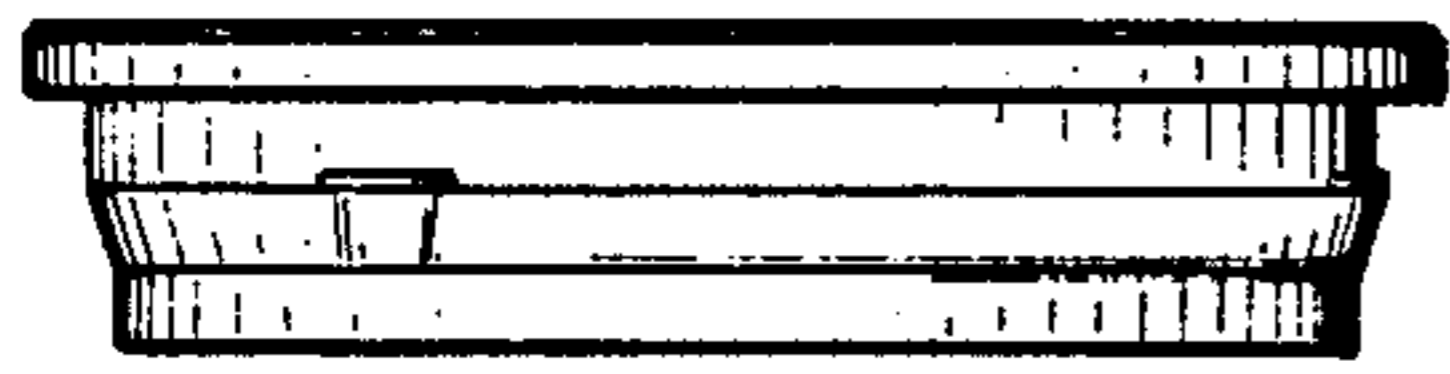


Fig. 7



Fig. 10

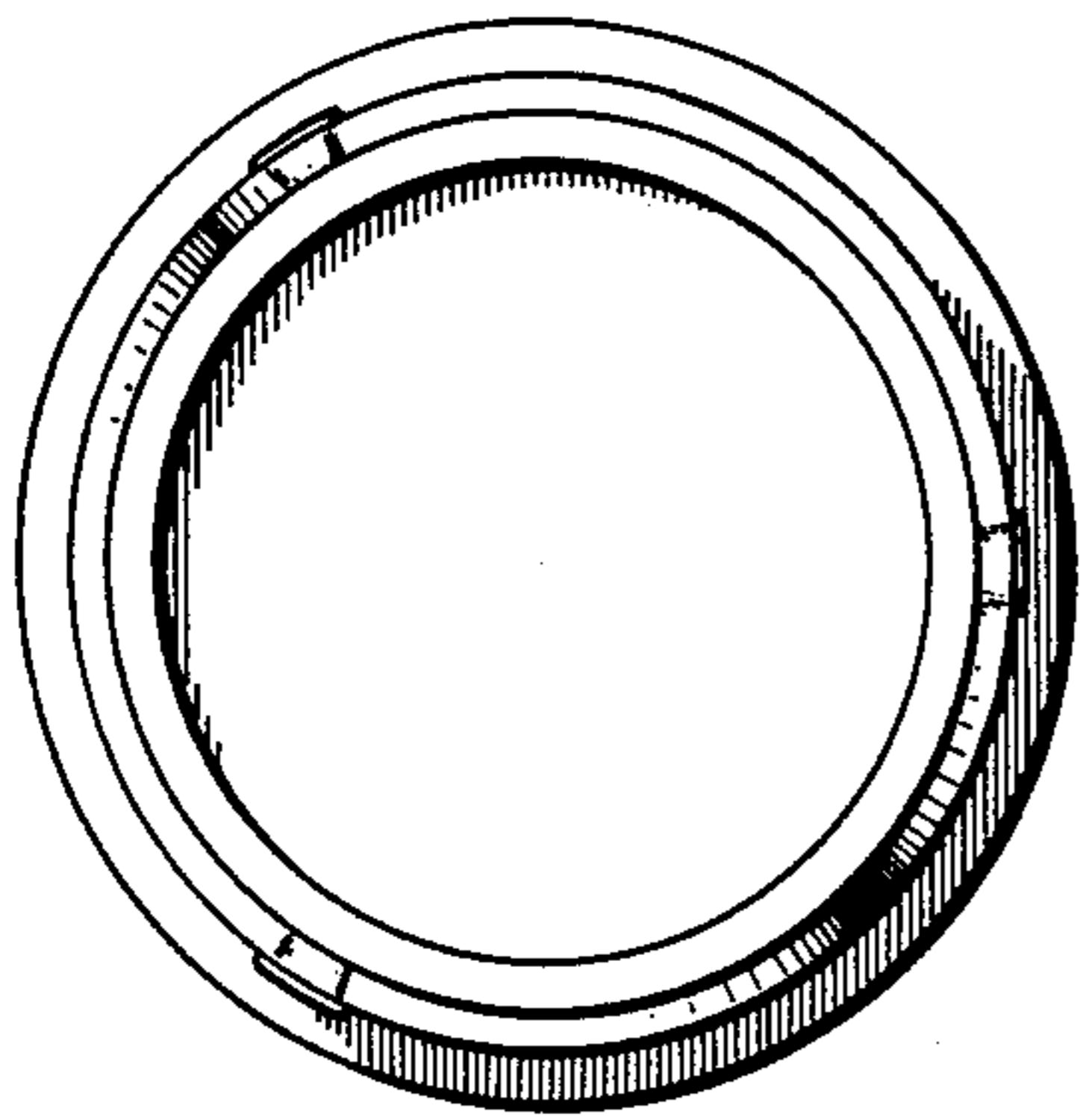


Fig. 8