

[54] EGG CARTON OR THE LIKE

[76] Inventor: Toni Casutt, Kirchweg 45, 8102 Oberengstringen, Switzerland

[\*\*] Term: 14 Years

[21] Appl. No.: 556,134

[22] Filed: Mar. 6, 1975

[51] Int. Cl. .... D9-03

[52] U.S. Cl. .... D9/190

[58] Field of Search ..... 229/2.5 EC, 14 C; D9/190

[56] References Cited

U.S. PATENT DOCUMENTS

- 2,285,129 6/1942 Schwartzberg ..... 229/2.5 EC
- 2,512,111 6/1950 Monahan ..... D9/190 X

Primary Examiner—Robert C. Spangler

Attorney, Agent, or Firm—Robert D. Flynn

[57] CLAIM

The ornamental design for an egg carton or the like, as shown and described.

DESCRIPTION

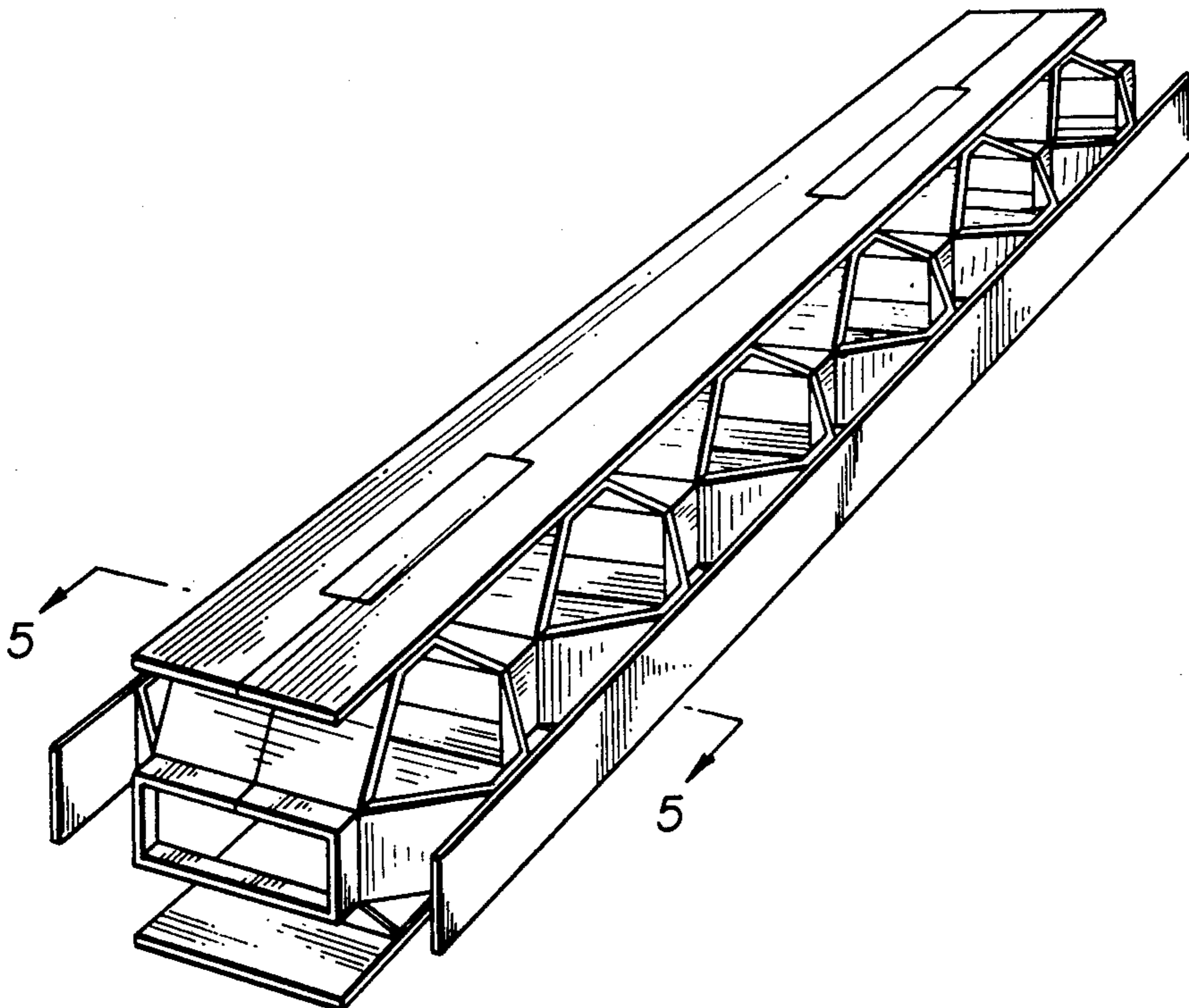
FIG. 1 is a top perspective view of an egg carton or the like showing my new design, a bottom perspective view from the opposite end being substantially the same in appearance;

FIG. 2 is a top perspective view with the top open and folded back on the sides, the broken lines representing fold lines;

FIG. 3 is a fragmentary top plan view in the position shown in FIG. 2;

FIG. 4 is a sectional view taken on the line 4—4 of FIG. 2; and

FIG. 5 is a sectional view taken on the line 5—5 of FIG. 1.



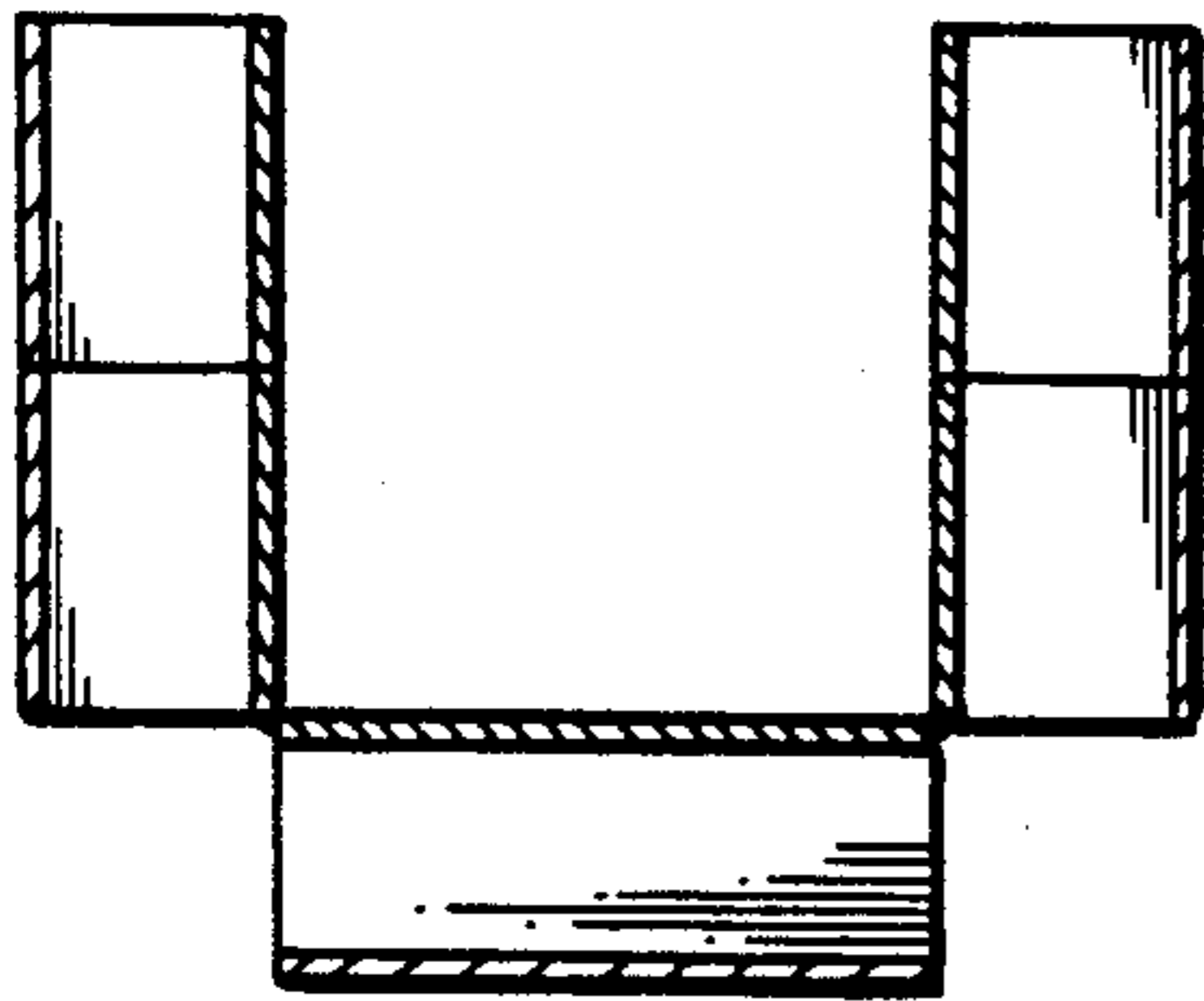
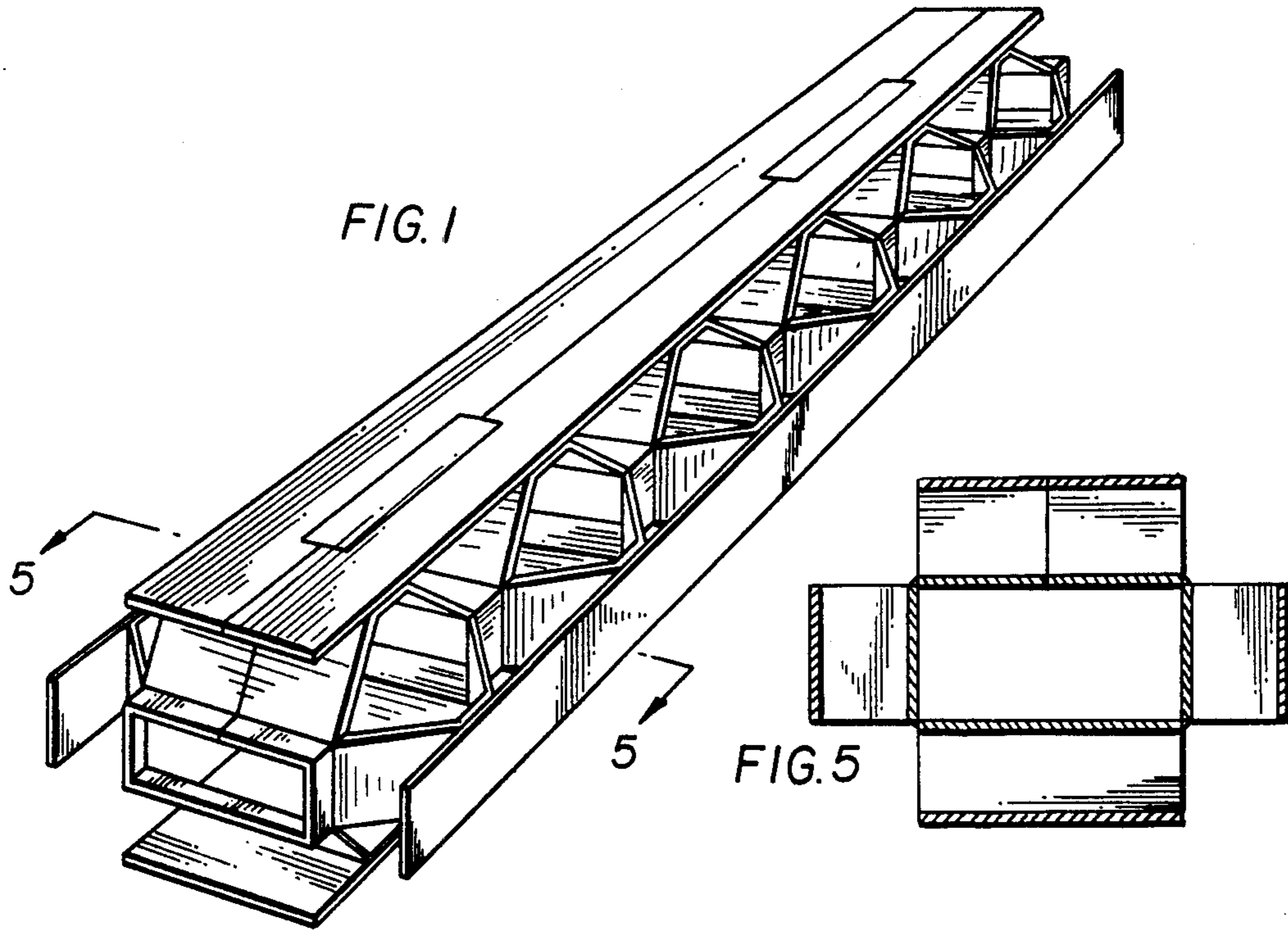


FIG. 4

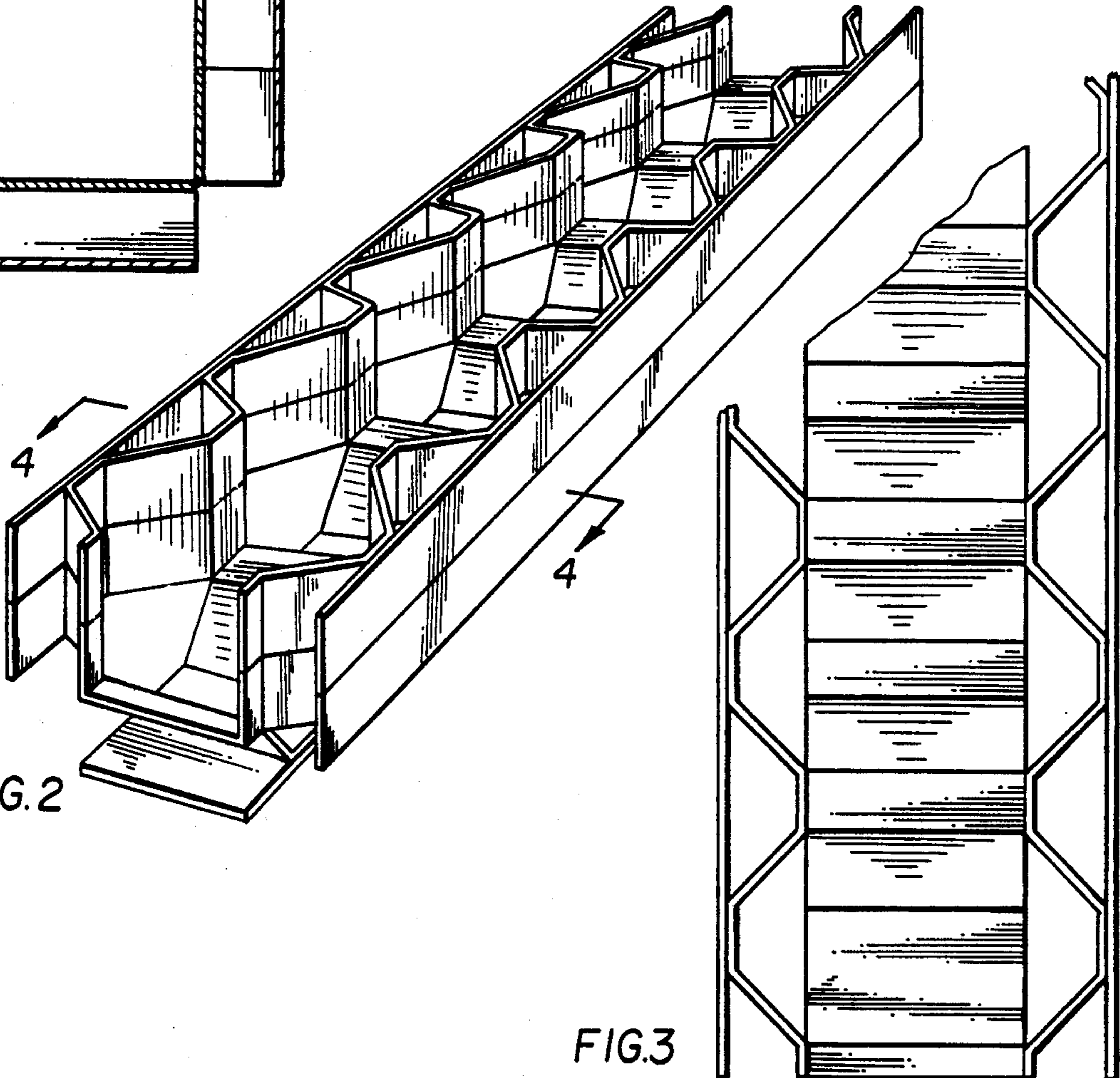


FIG. 2

FIG. 3