

[54] FOOTSTOOL

[76] Inventors: Larry E. Bussey, 2537 Seventh St. NE., Canton, Ohio 44704; James E. Hunter, Jr., 1300 Cherry St. SE., Canton, Ohio 44707

[**] Term: 14 Years

[21] Appl. No.: 683,663

[22] Filed: May 6, 1976

[51] Int. Cl. D6-01

[52] U.S. Cl. D6/36; D6/74

[58] Field of Search D6/11, 12, 21, 32, 33, D6/36, 58, 68, 74, 151, 152, 153, 193

[56] References Cited

U.S. PATENT DOCUMENTS

D. 82,224 10/1930 Maydell D6/68
D. 223,813 6/1972 Francken D6/74

D. 233,279 10/1974 Shearin et al. D6/21 X
D. 233,492 11/1974 Gilbert D6/36

Primary Examiner—Bruce W. Dunkins
Attorney, Agent, or Firm—Joseph Frease

[57] CLAIM

The ornamental design for a footstool, as shown and described.

DESCRIPTION

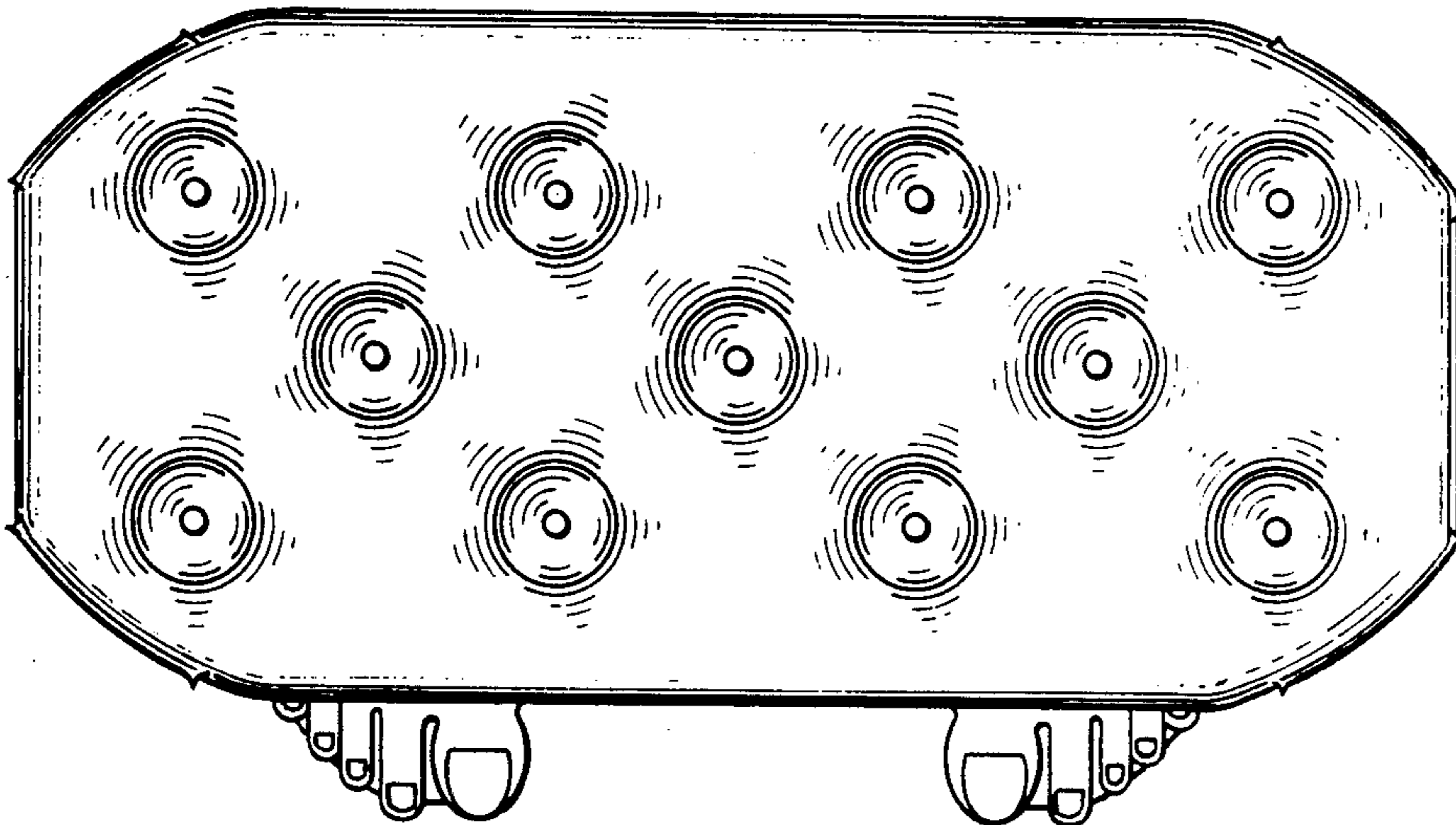
FIG. 1 is a top plan view of a footstool showing our new design;

FIG. 2 is a front elevation view of the footstool of FIG. 1;

FIG. 3 is a right-hand end elevational view of the footstool of FIG. 2; and

FIG. 4 is a rear elevational view of the footstool of FIG. 1.

The end of the footstool, not shown, is a mirror image of the end shown in FIG. 3.



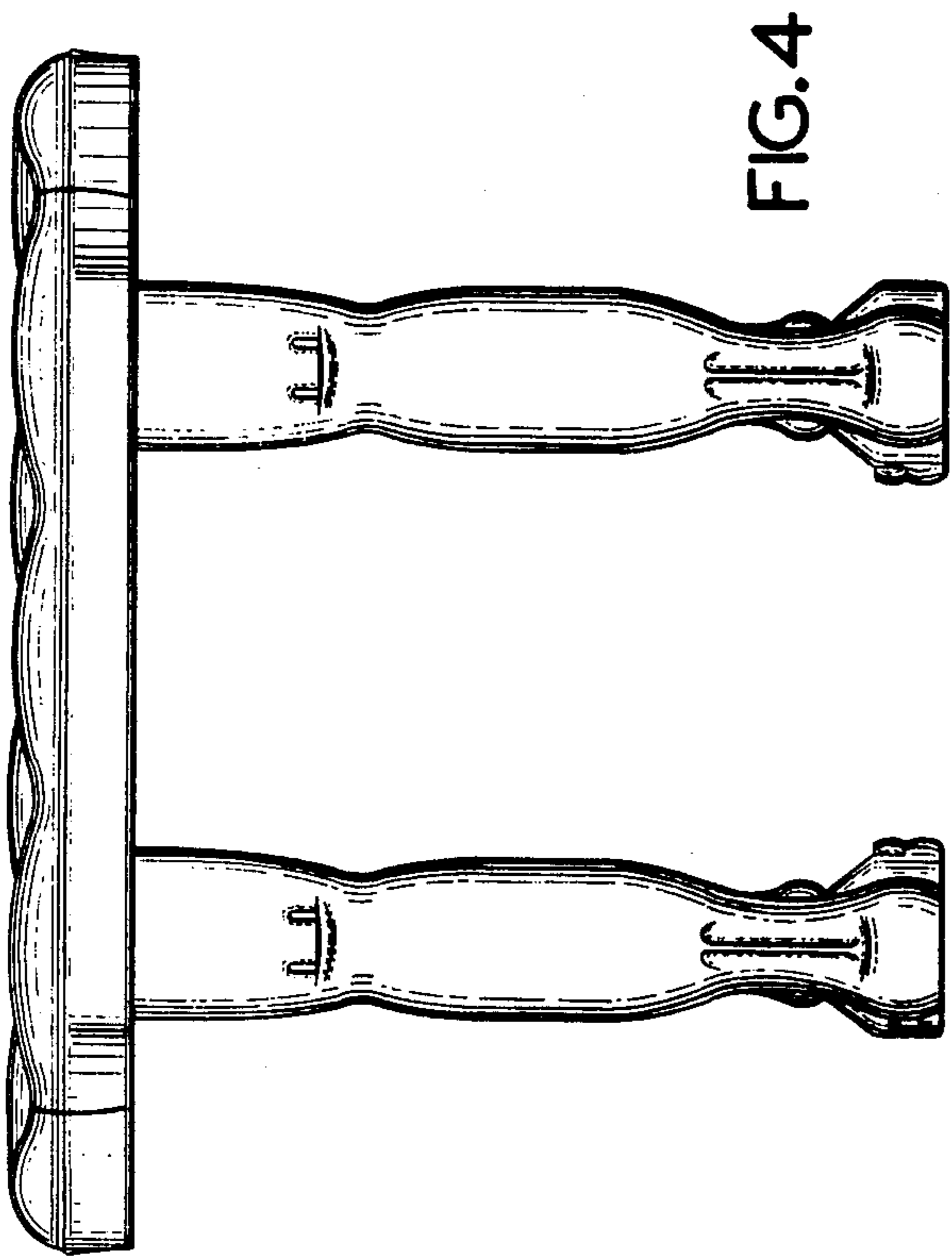


FIG. 4

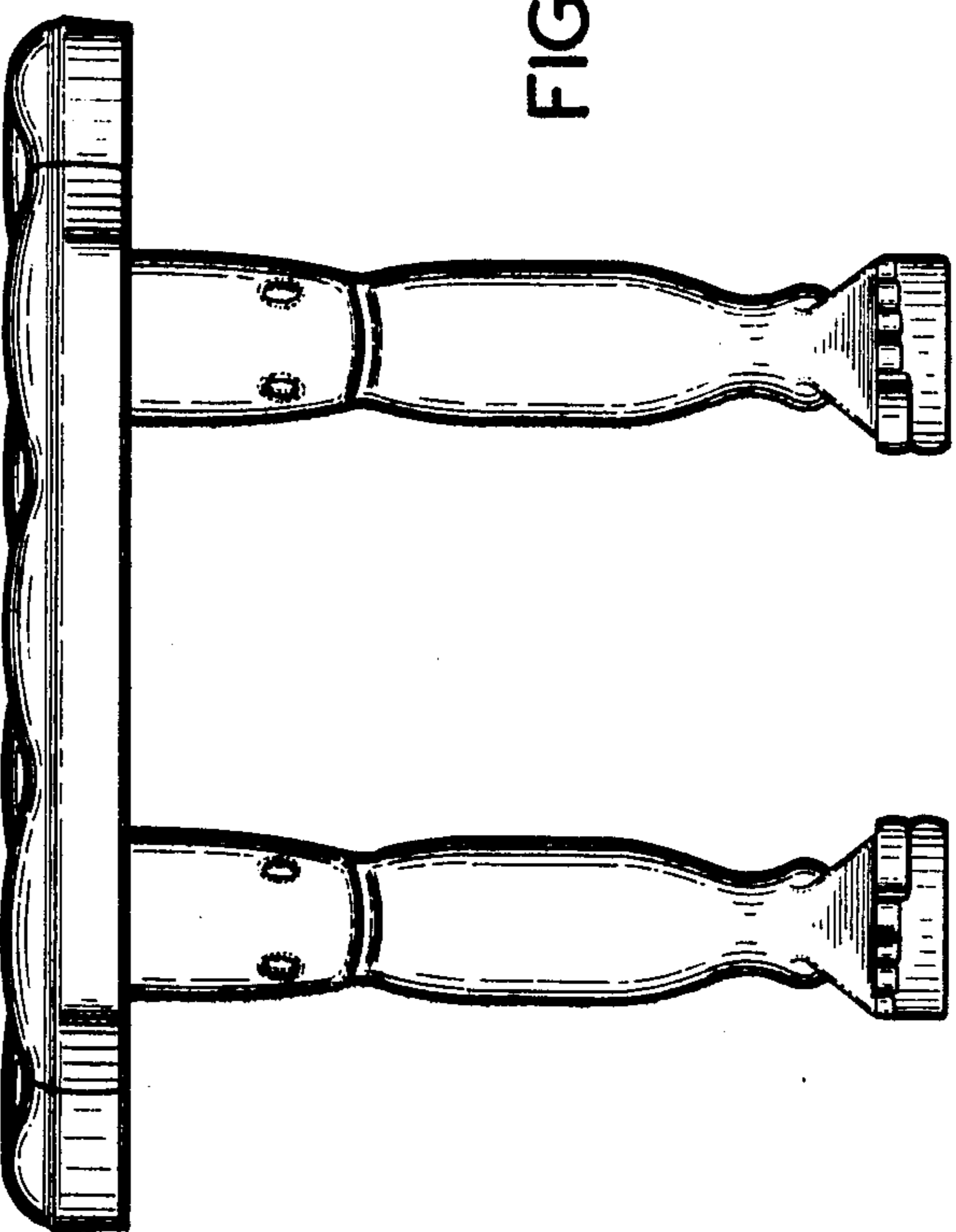


FIG. 2

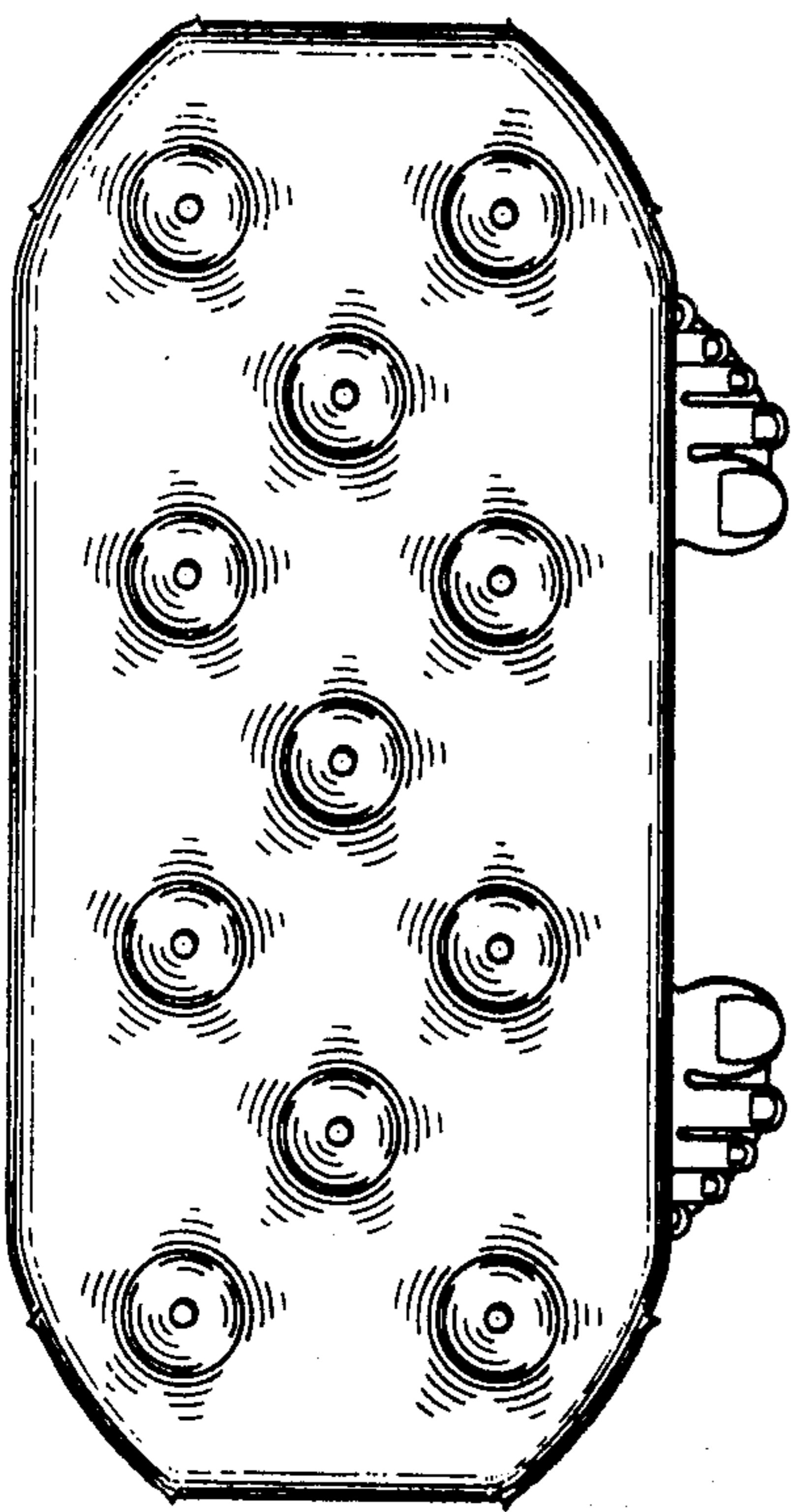


FIG. 1

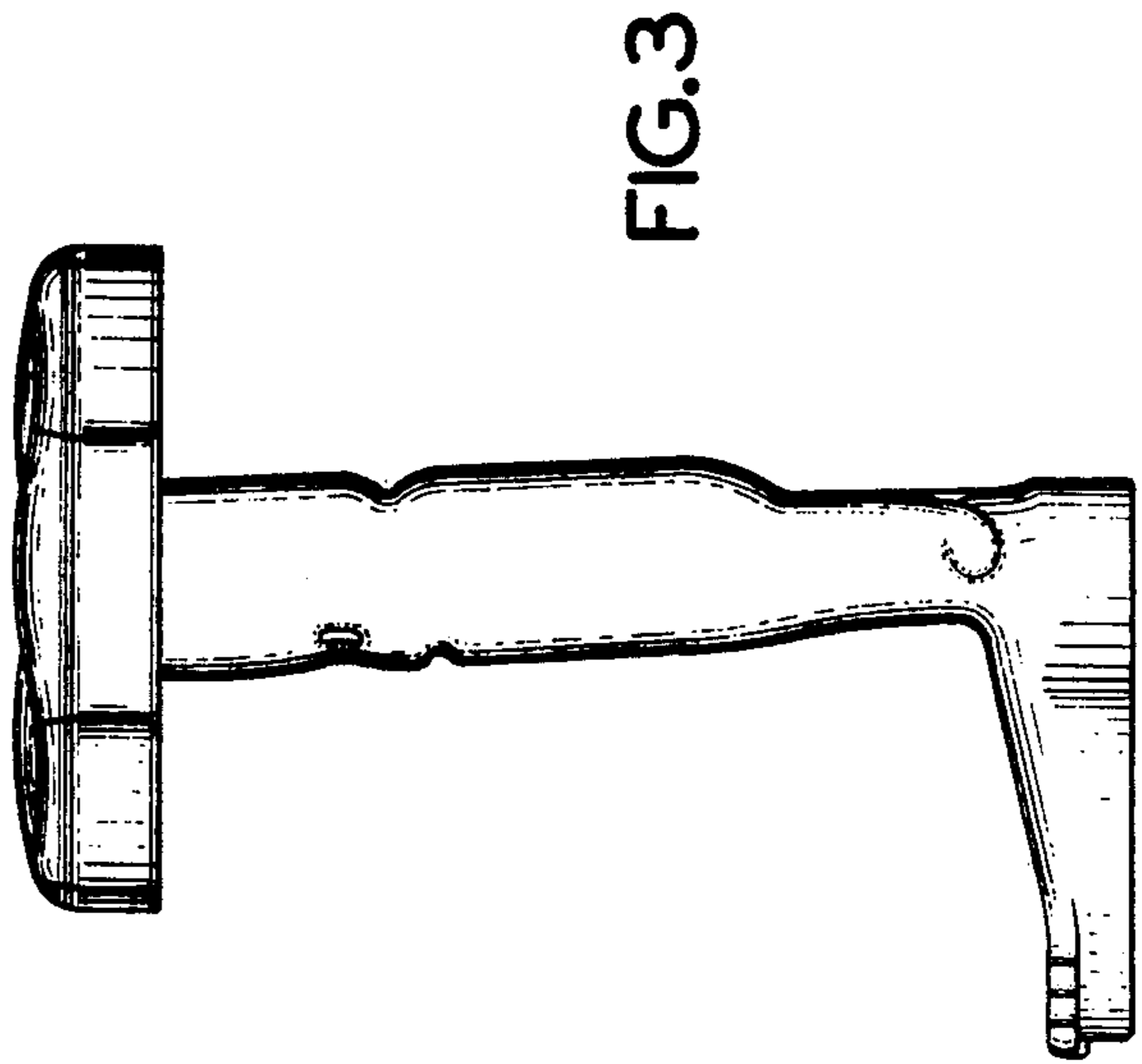


FIG. 3