

[54] DEVICE FOR INDICATING BASKETBALL FOUL SHOT SITUATIONS OR SIMILAR ARTICLE

[76] Inventor: **Evangelo James Priovolos**, 11401 Georgetowne Dr., Potomac, Md. 20854

[\*\*] Term: **14 Years**

[21] Appl. No.: **739,086**

[22] Filed: **Nov. 5, 1976**

[51] Int. Cl. .... **D20-03**

[52] U.S. Cl. .... **D96/12 R**

[58] Field of Search ..... **D96/12 R; D34/1, 5 R; D10/46; 116/20; 273/1.5 R, DIG. 26; 40/28 R, 63 R, 64 R, 65, 67, 125 R**

[56] **References Cited**

**U.S. PATENT DOCUMENTS**

2,214,275	9/1940	Hart .....	40/65
2,288,728	7/1942	Meredith .....	40/65
3,604,133	9/1971	Hawa .....	40/65
3,748,767	7/1973	Giesecke .....	40/65

*Primary Examiner*—Bernard Ansher  
*Assistant Examiner*—Catherine Kemper

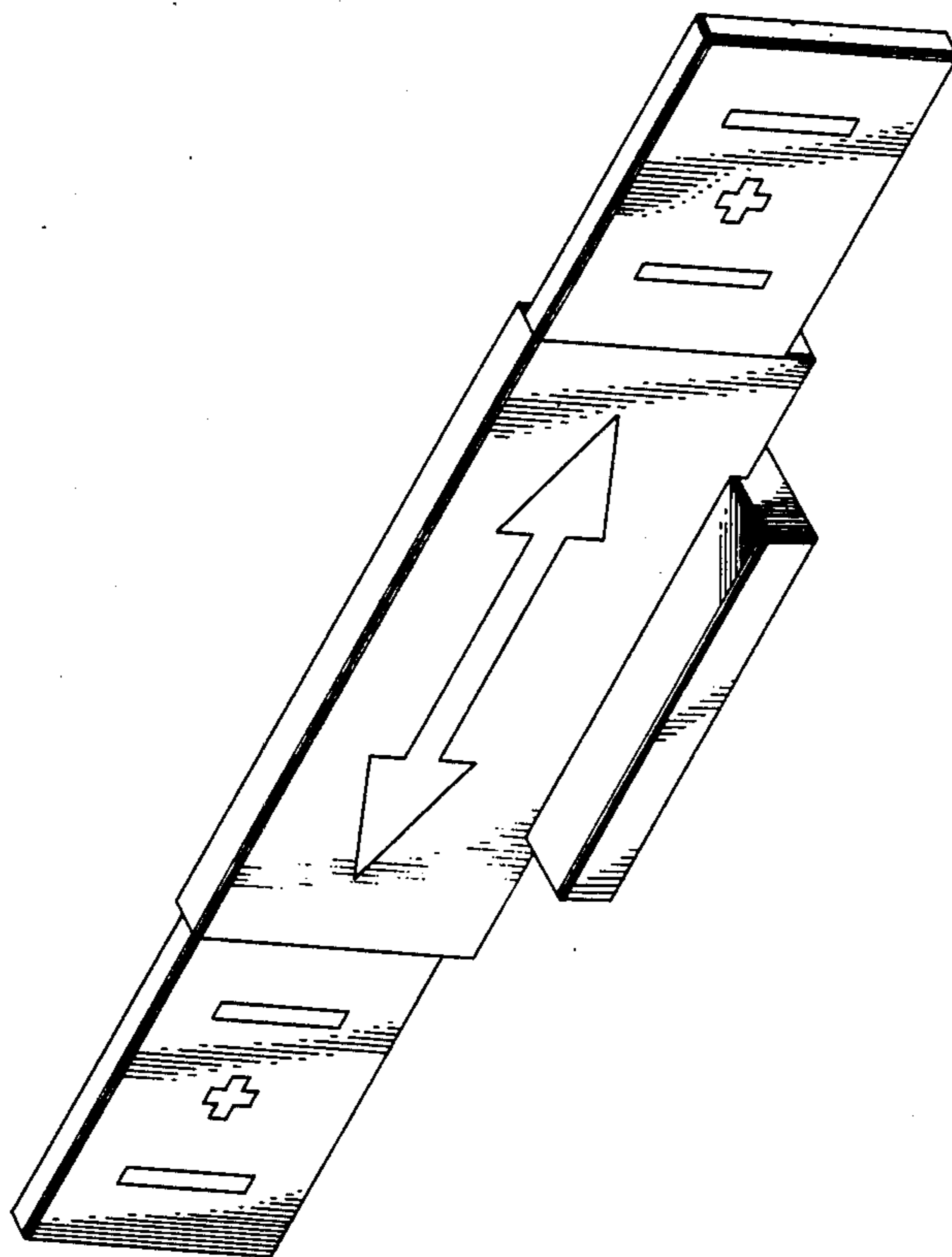
[57] **CLAIM**

The ornamental design for a device for indicating basketball foul shot situations or similar article, substantially as shown and described.

**DESCRIPTION**

The single FIGURE is a perspective view of a device for indicating basketball foul shot situations or similar article, showing my new design.

The rear of the device is identical to the front as shown, with the exception that no indicia or arrows are shown on the rear surface.



U.S. Patent

July 4, 1978

Des. 248,424

