

[54] PAINT APPLICATION DEVICE
 [76] Inventor: Wilhelm F. Lupkes, Kaap Hoorn 13,
 Veendam, Netherlands
 [**] Term: 14 Years
 [21] Appl. No.: 700,682
 [22] Filed: Jun. 28, 1976
 [51] Int. Cl. D8-05
 [52] U.S. Cl. D64/18
 [58] Field of Search D4/38; 15/230.11, 208,
 15/209 R, 210 R; 401/15, 118, 119, 131, 196,
 197, 207, 208, 193, 218-220; D64/18

[56] References Cited
 U.S. PATENT DOCUMENTS
 2,770,827 11/1956 Brandenburg D4/1 UX
 2,988,769 6/1961 Panfil D4/38 UX
 3,115,659 12/1963 Church 15/230.11

3,263,263 8/1966 Munn 401/218
 3,263,264 8/1966 Leland 401/219
 3,356,442 12/1967 Leland 401/15
 3,825,970 7/1974 Hanssen 15/230.11
 3,850,532 11/1974 Kaiser 401/15 UX

Primary Examiner—Wallace R. Burke
 Assistant Examiner—Catherine Kemper
 Attorney, Agent, or Firm—Allison C. Collard

[57] CLAIM
 The ornamental design for a paint application device,
 substantially as shown and described.

DESCRIPTION
 FIG. 1 is a front, top and side perspective view of the
 paint application device showing my new design;
 FIG. 2 is a side view thereof;
 FIG. 3 is a rear view thereof;
 FIG. 4 is a top view thereof; and
 FIG. 5 is a rear and side perspective view thereof.

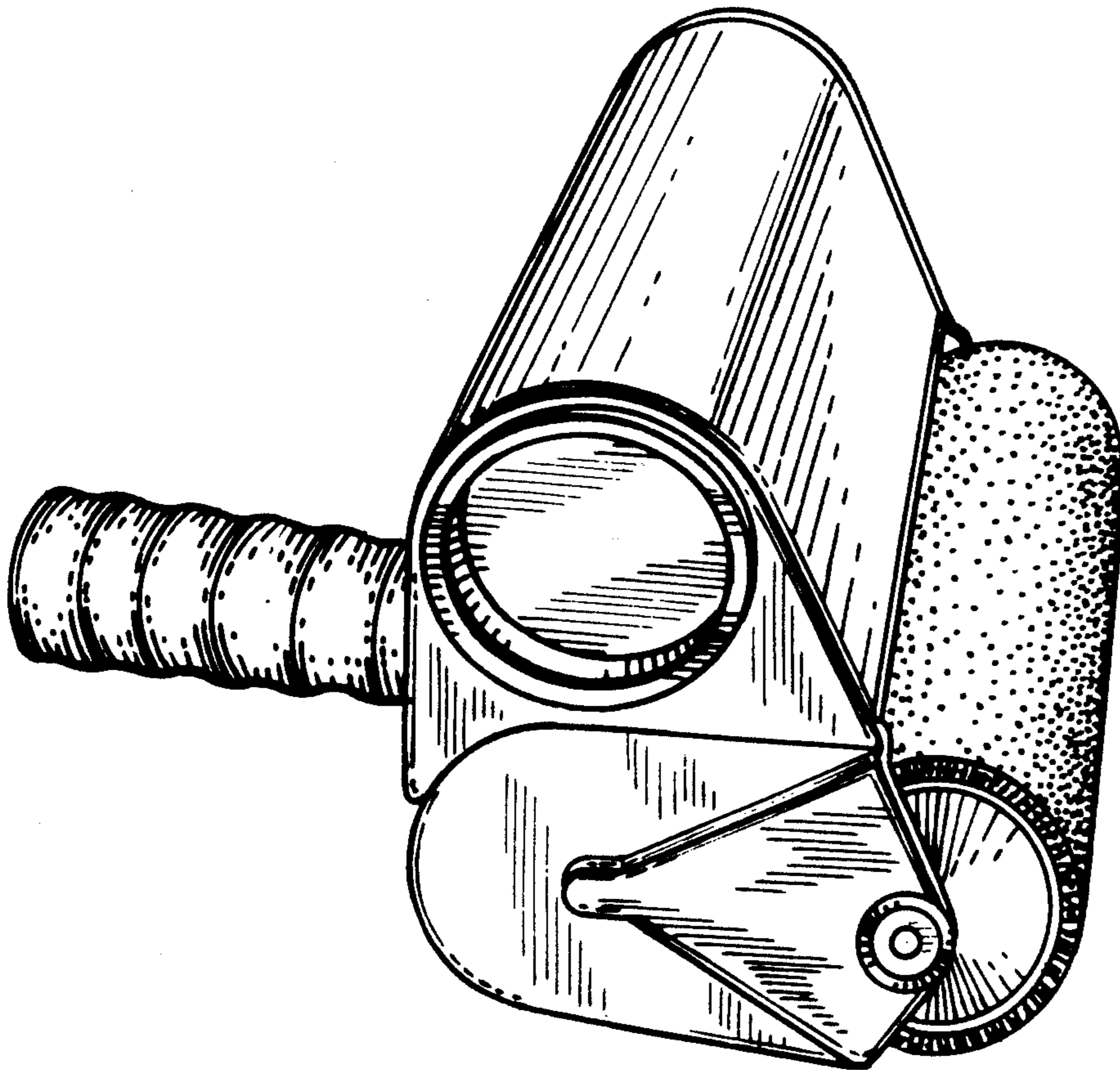


FIG. 1

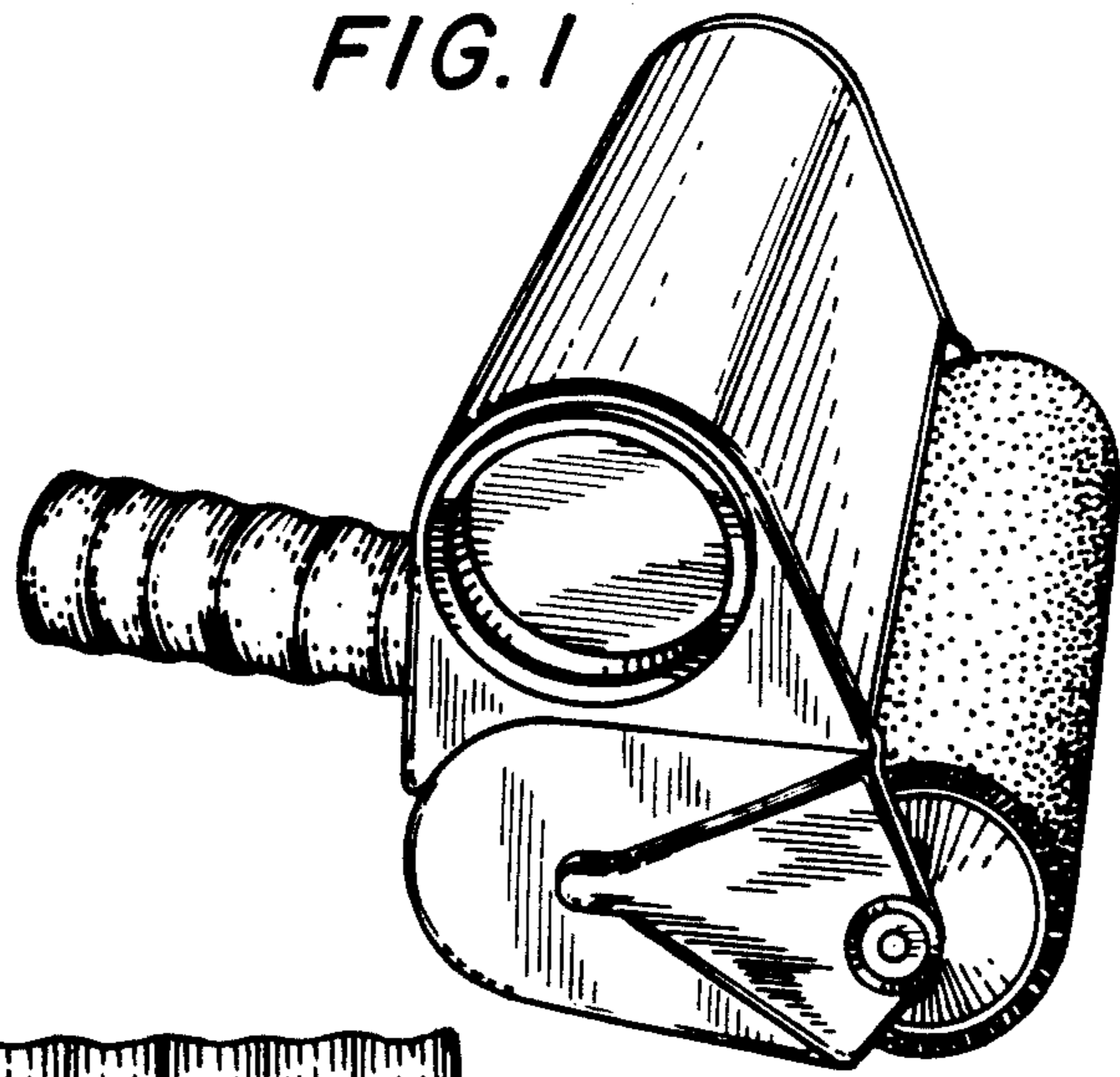


FIG. 2

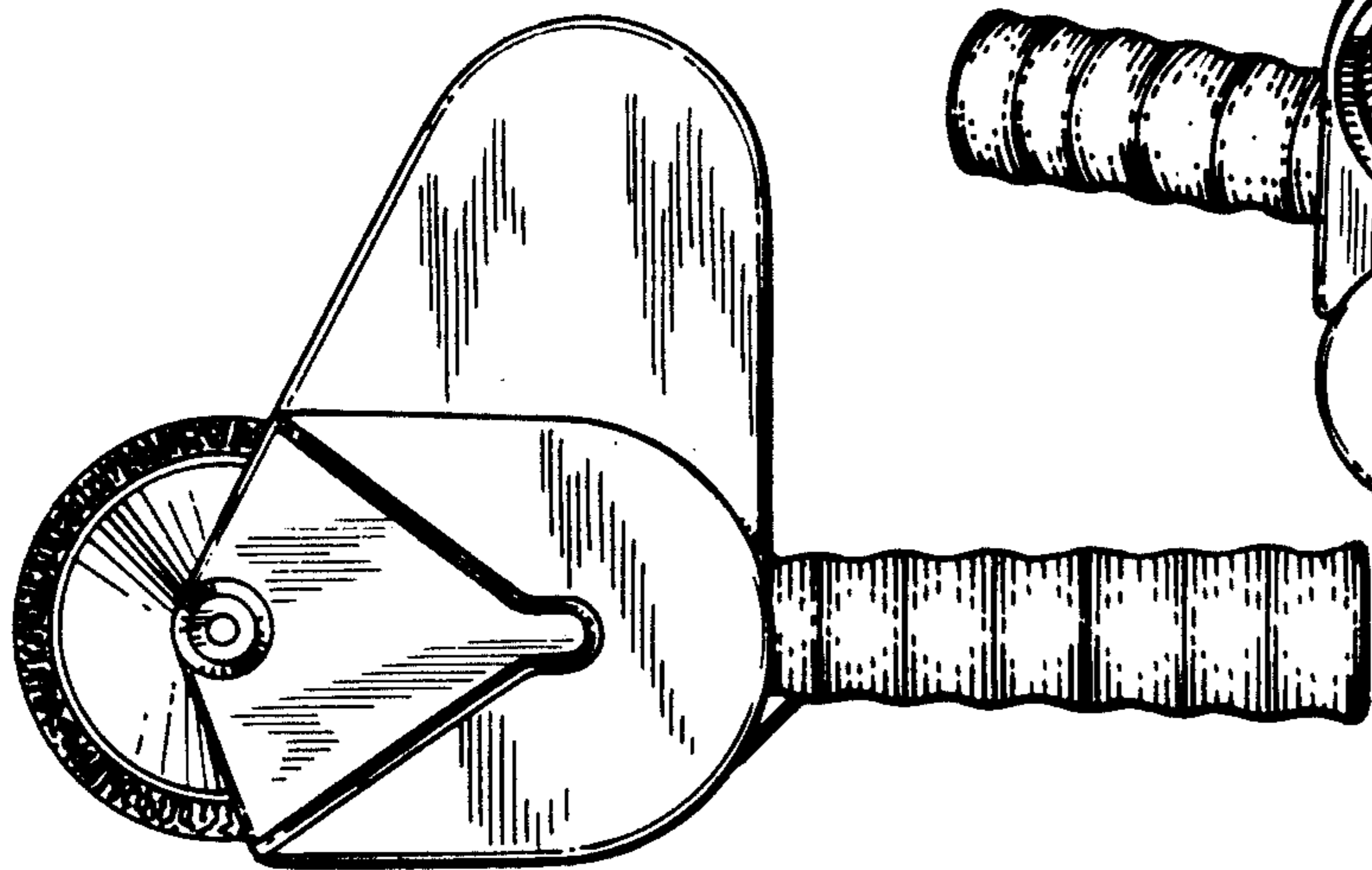


FIG. 3

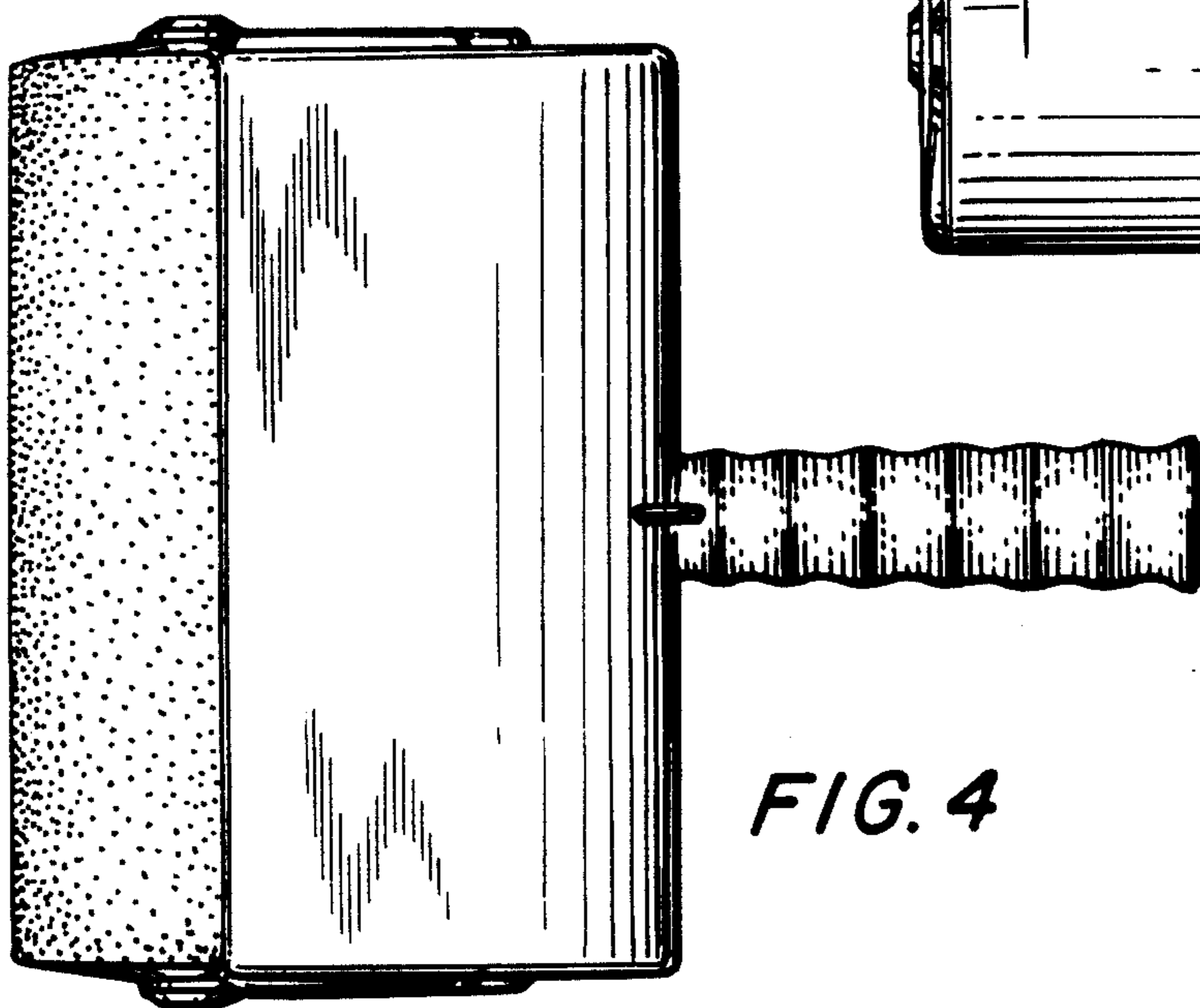
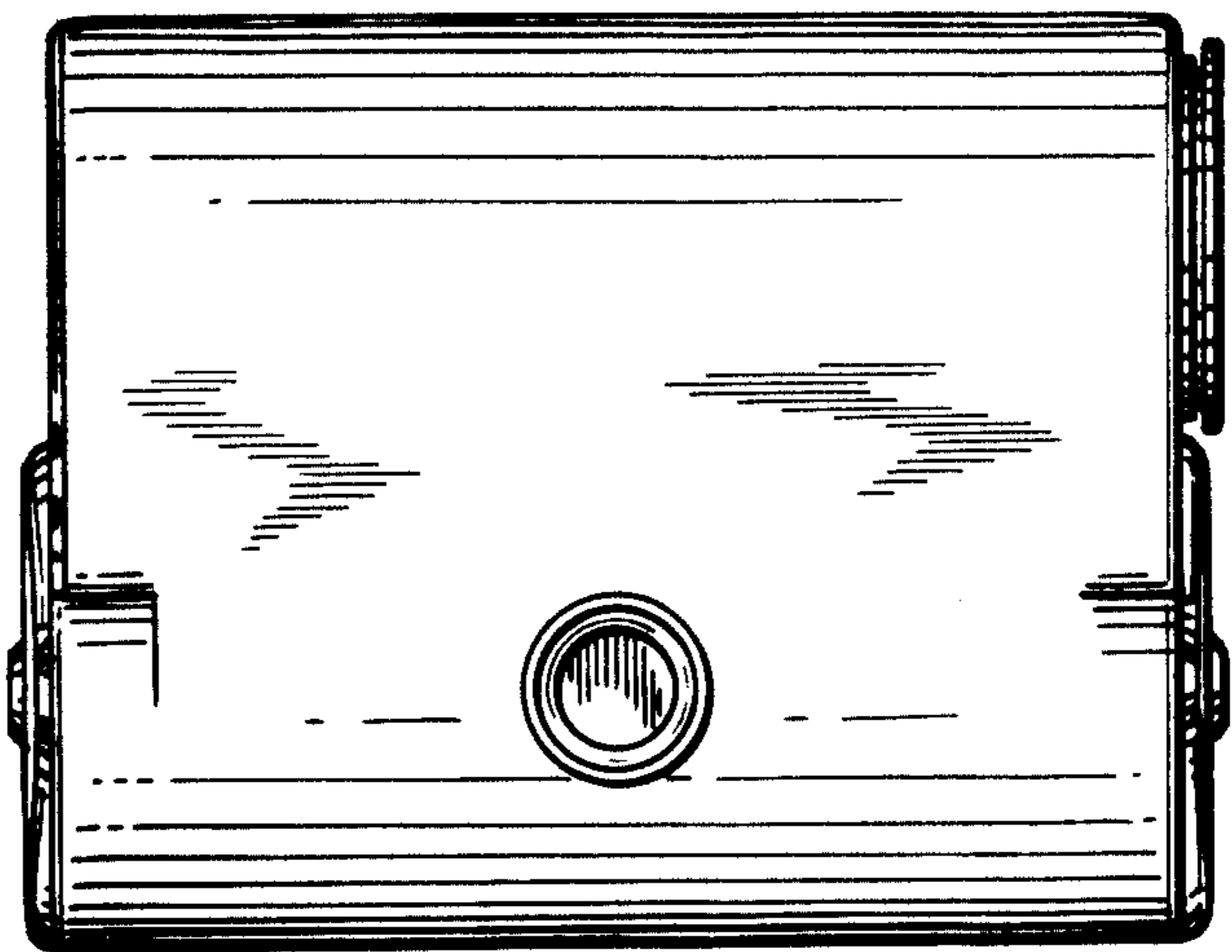


FIG. 4

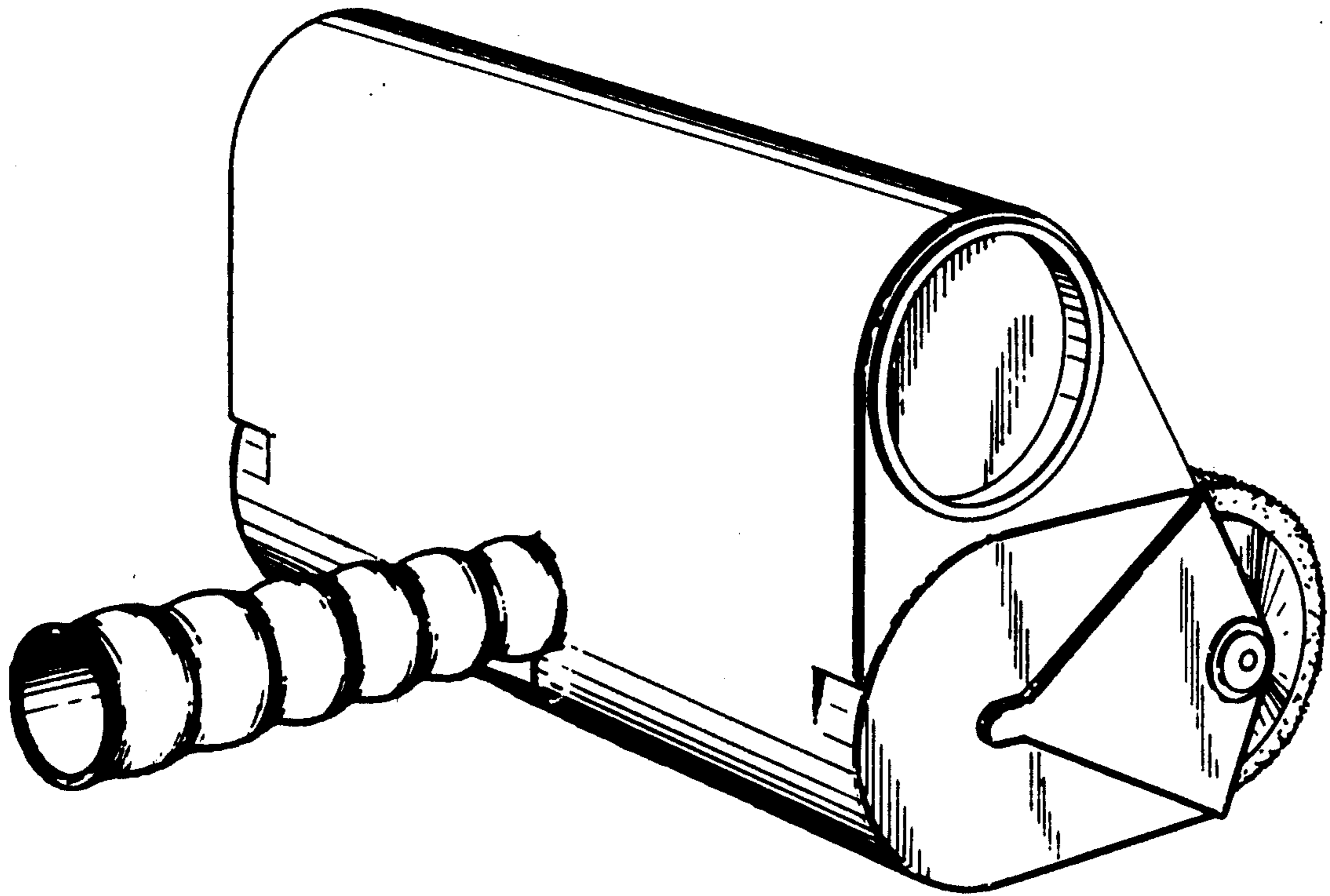


FIG. 5