

[54] COMBINED SUPPORT AND FRAME FOR RELIGIOUS OBJECTS

[76] Inventor: Dennis Somple, 41 Pamela Dr., R.D. #4, Box 256, Binghamton, N.Y. 13901

[\*\*] Term: 14 Years

[21] Appl. No.: 650,278

[22] Filed: Jan. 19, 1976

[51] Int. Cl. .... D11-02

[52] U.S. Cl. .... D31/21.1; D6/133; D11/122

[58] Field of Search ..... D11/117, 121, 122, 131, D11/132, 140; D6/232-235, 238, 244, 113, 133, 145; D31/21.1; 40/152, 152.1; 428/3, 13, 14

[56] References Cited

U.S. PATENT DOCUMENTS

D. 75,884 7/1928 Wees ..... D11/122 X  
D. 145,983 11/1946 Powell ..... D11/122

OTHER PUBLICATIONS

*Picture Book of Symbols*, by Lehner, ©1956, p. 37-Triple-Beam Cross at lower right.

*Catalog of Church & Church School Supplies*, 1952-1953, by H. M. Jacobs Co., p. 84-Double Credence Table bottom right.

*Whittemore's Protestant Catalog*, #60, p. 180-Vigil Light No. 1675 at left.

Primary Examiner—Joel Stearman

Assistant Examiner—Louis S. Zarfes

Attorney, Agent, or Firm—Frederick E. Bartholy

[57] CLAIM

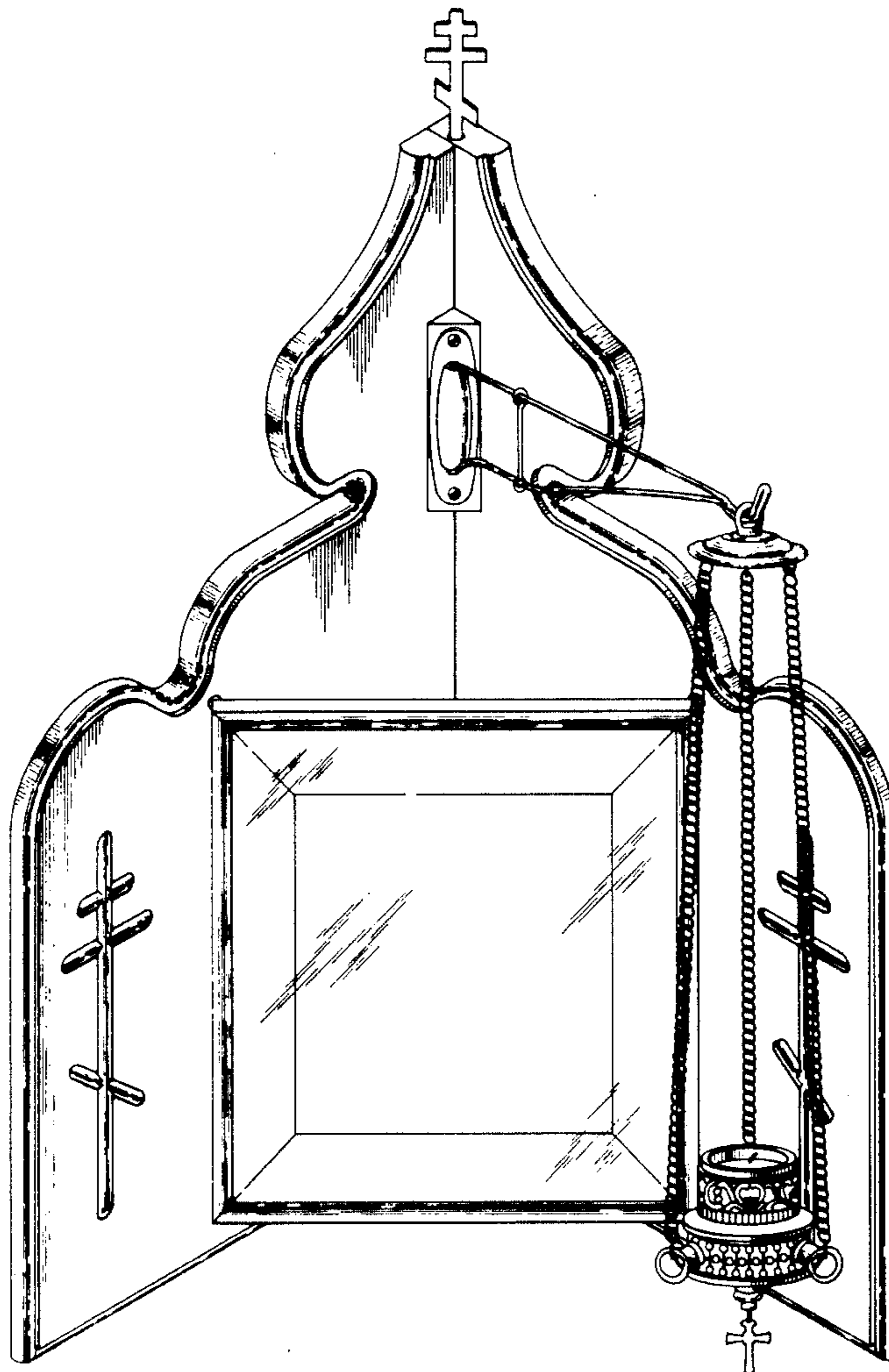
The ornamental design for a combined support and frame for religious objects, substantially as shown and described.

DESCRIPTION

FIG. 1 is a perspective view of a combined support and frame for religious objects showing my new design.

FIG. 2 is a rear elevational view thereof.

FIG. 3 is a bottom plan thereof with the candle support in alternate position.



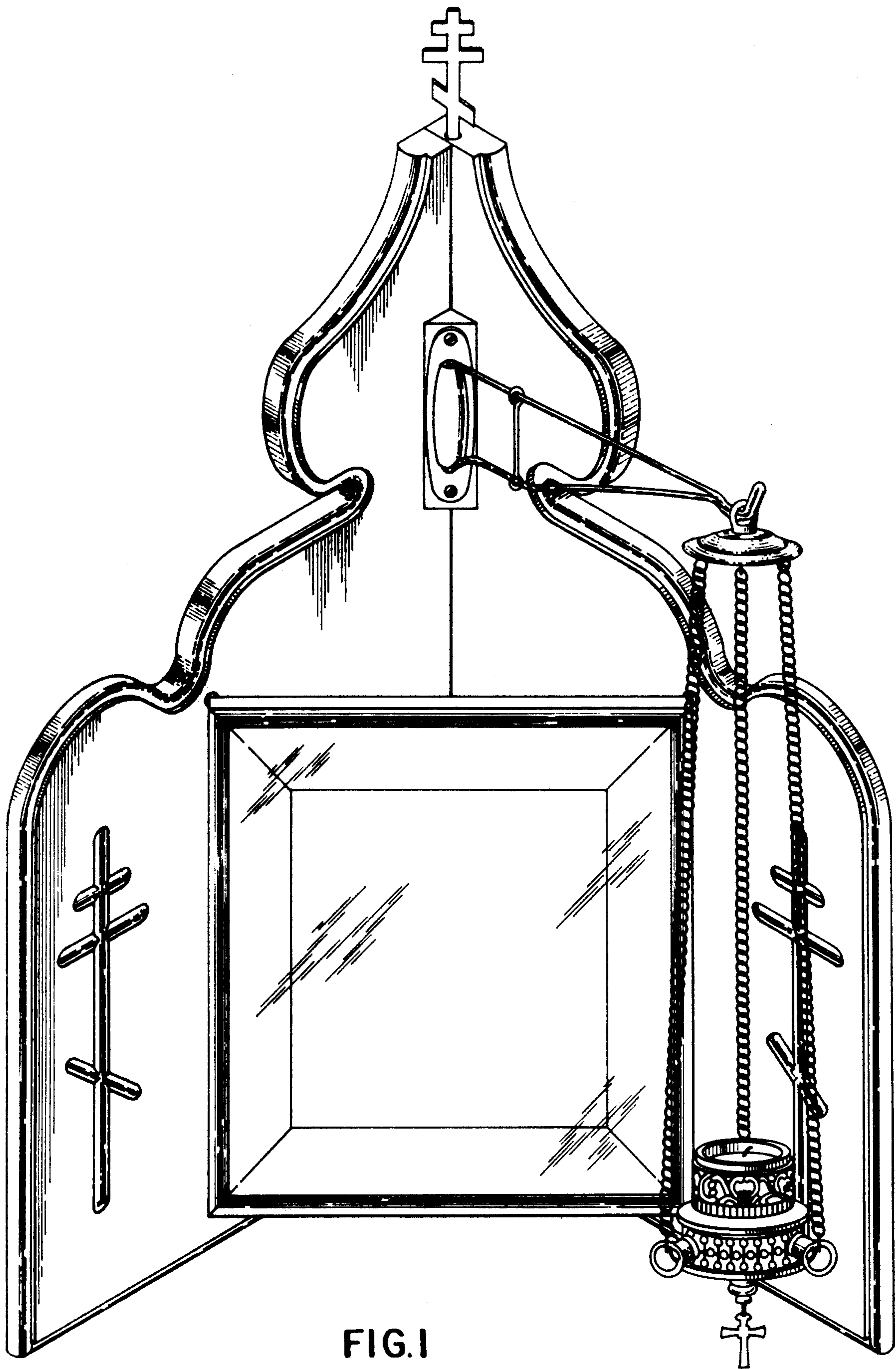


FIG. 1

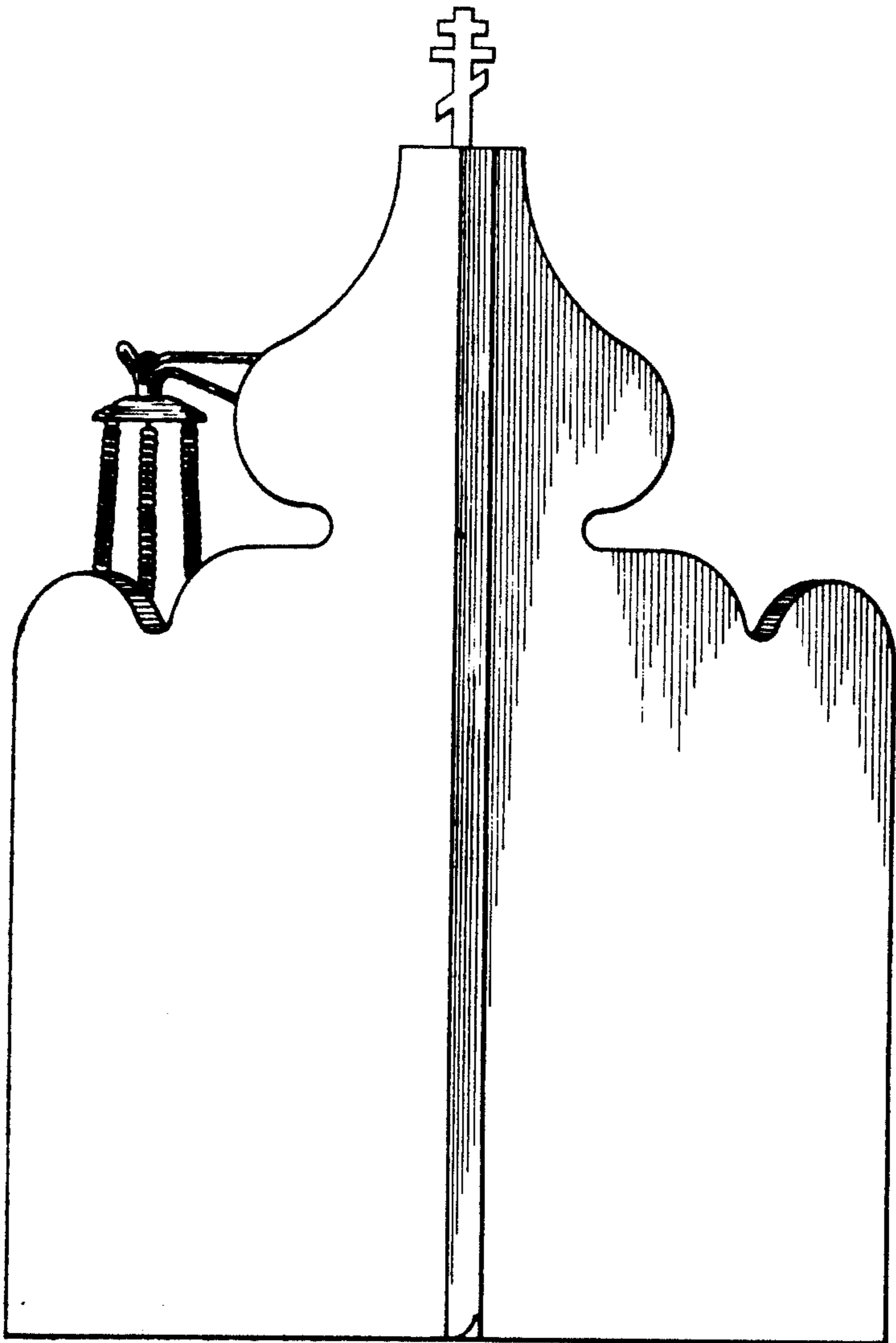


FIG. 2

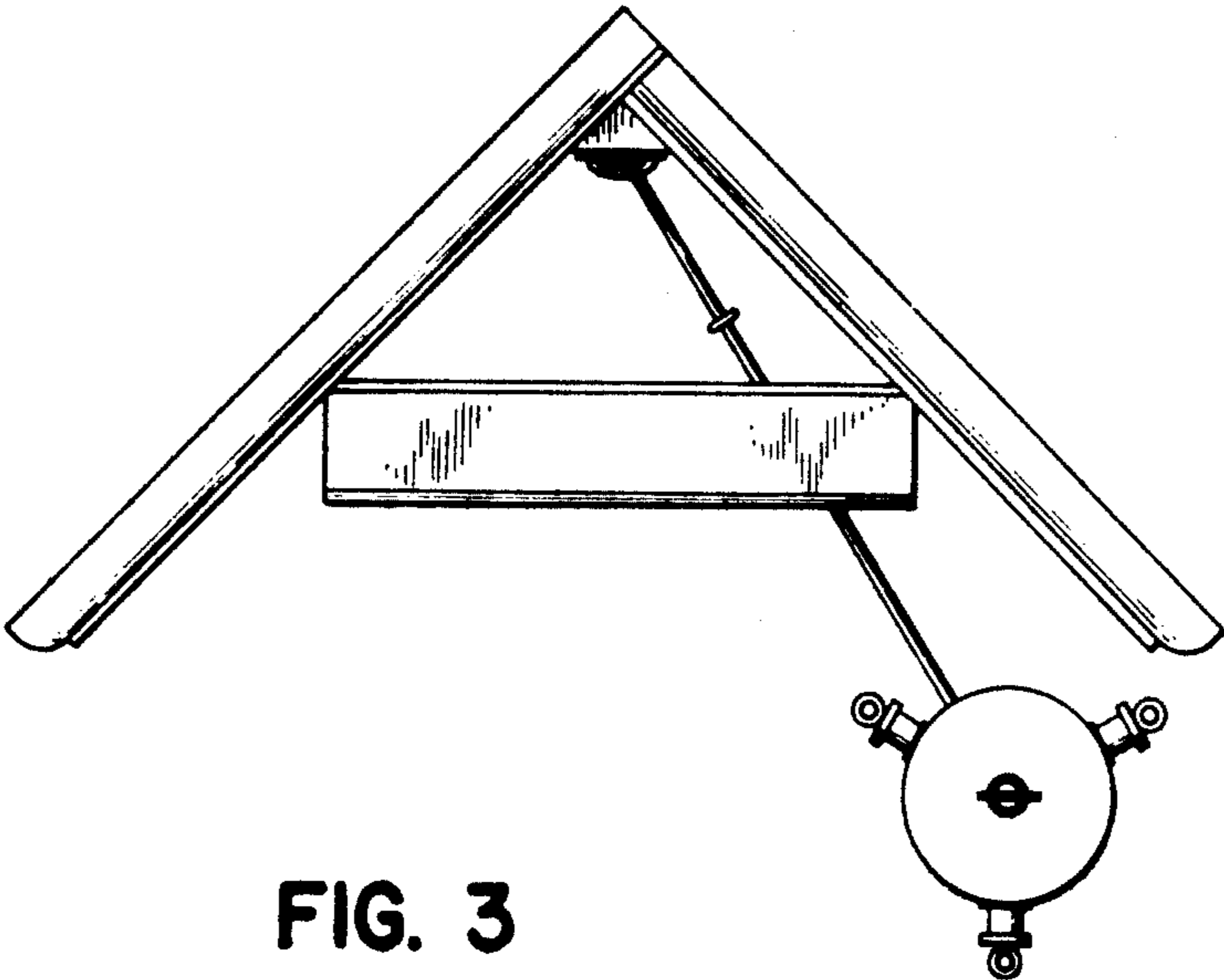


FIG. 3