

[54] HAIR STYLER

[75] Inventor: Patrick M. Tomaro, Maplewood, N.J.

[73] Assignee: Conair Corporation, Edison, N.J.

[**] Term: 14 Years

[21] Appl. No.: 734,504

[22] Filed: Oct. 21, 1976

[51] Int. Cl. D28-03

[52] U.S. Cl. D28/13; D28/18; D28/24

[58] Field of Search D28/9, 10, 12-16, D28/18, 24, 35; D4/13, 14, 17; 132/7, 9, 11 R, 11 A, 18, 37 R; 219/222, 225; 34/96-101

[56] References Cited

U.S. PATENT DOCUMENTS

D. 204,738	5/1966	Rakocy et al.	D4/14
D. 226,148	1/1973	Rizzuto et al.	D28/24
D. 228,477	9/1973	Sulisky	D28/49 X
D. 230,778	3/1974	Kahn	D28/13 X

OTHER PUBLICATIONS

Home Furnishings Daily, Tuesday, 6/17/1975, p. 18--
Remington Super Brush at top right.

Primary Examiner—Joel Stearman
Assistant Examiner—Louis S. Zarfes
Attorney, Agent, or Firm—Haynes N. Johnson

[57] CLAIM

The ornamental design for a hair styler, substantially as shown and described.

DESCRIPTION

FIG. 1 is a front perspective view of a hair styler showing my new design;
FIG. 2 is a rear perspective view;
FIG. 3 is a front elevational view;
FIG. 4 is a rear elevational view;
FIG. 5 is a top plan view;
FIG. 6 is a side elevation view, the other side being similar;
FIG. 7 is a bottom plan view;
FIG. 8 is a front perspective view of the styler with comb attachment;
FIG. 9 is a front elevational view thereof;
FIG. 10 is a side elevational view thereof; the other side being a mirror image;
FIG. 11 is a bottom plan view thereof;
FIG. 12 is a front perspective view of the styler with brush attachment, the attachment being symmetrical about its longitudinal axis; and
FIG. 13 is a front elevational view thereof.

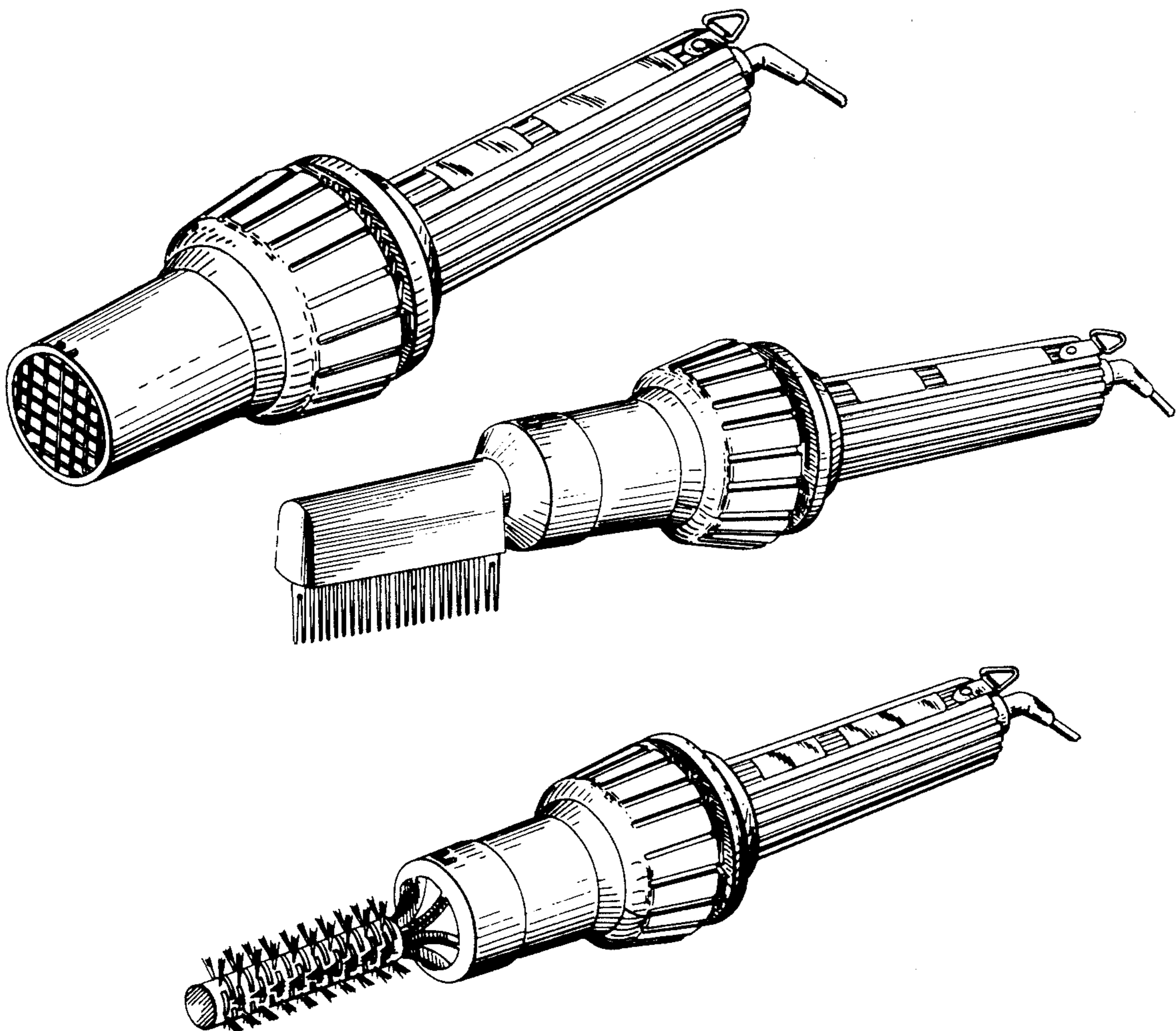


Fig. 1.

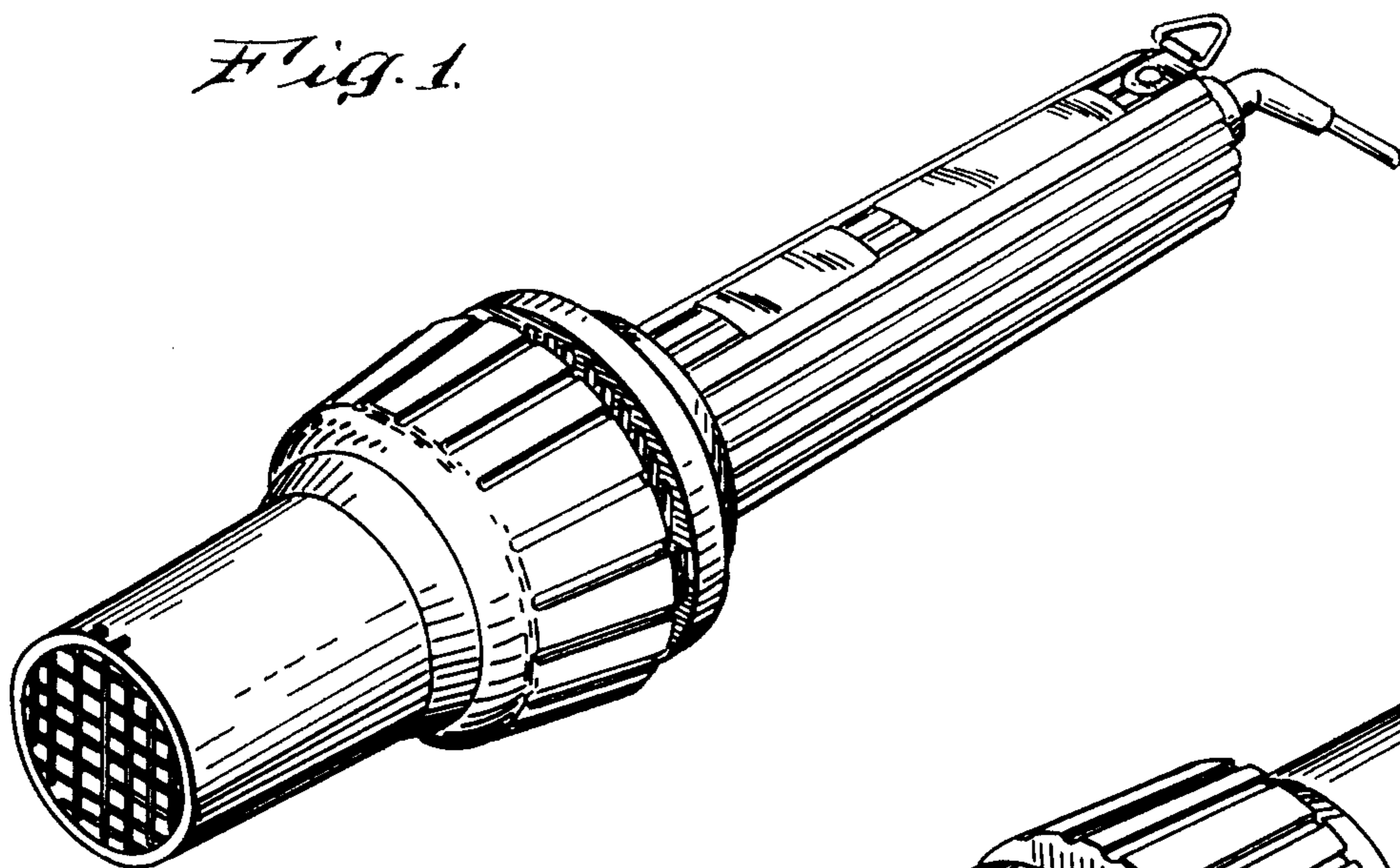


Fig. 2.

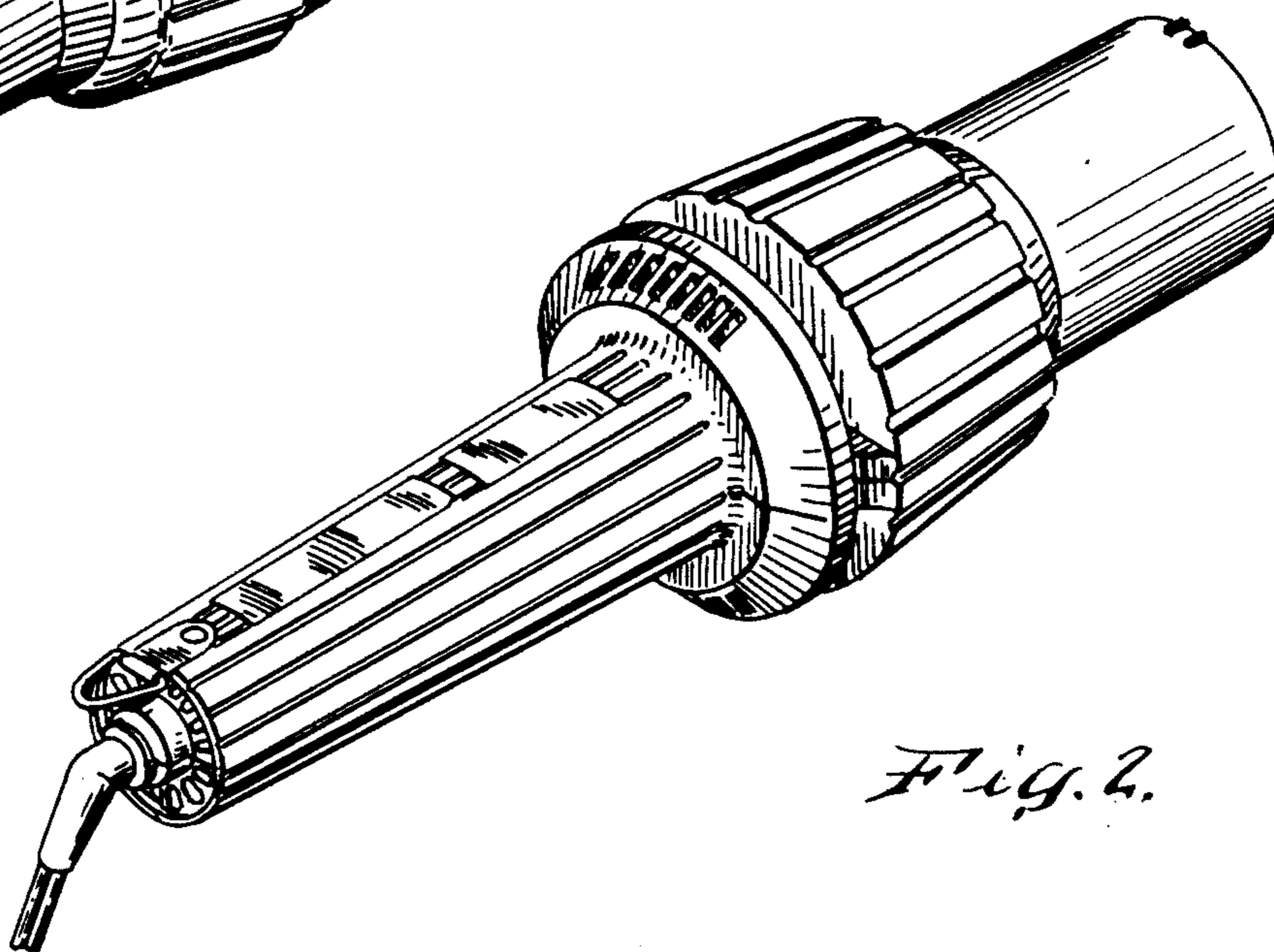


Fig. 3.

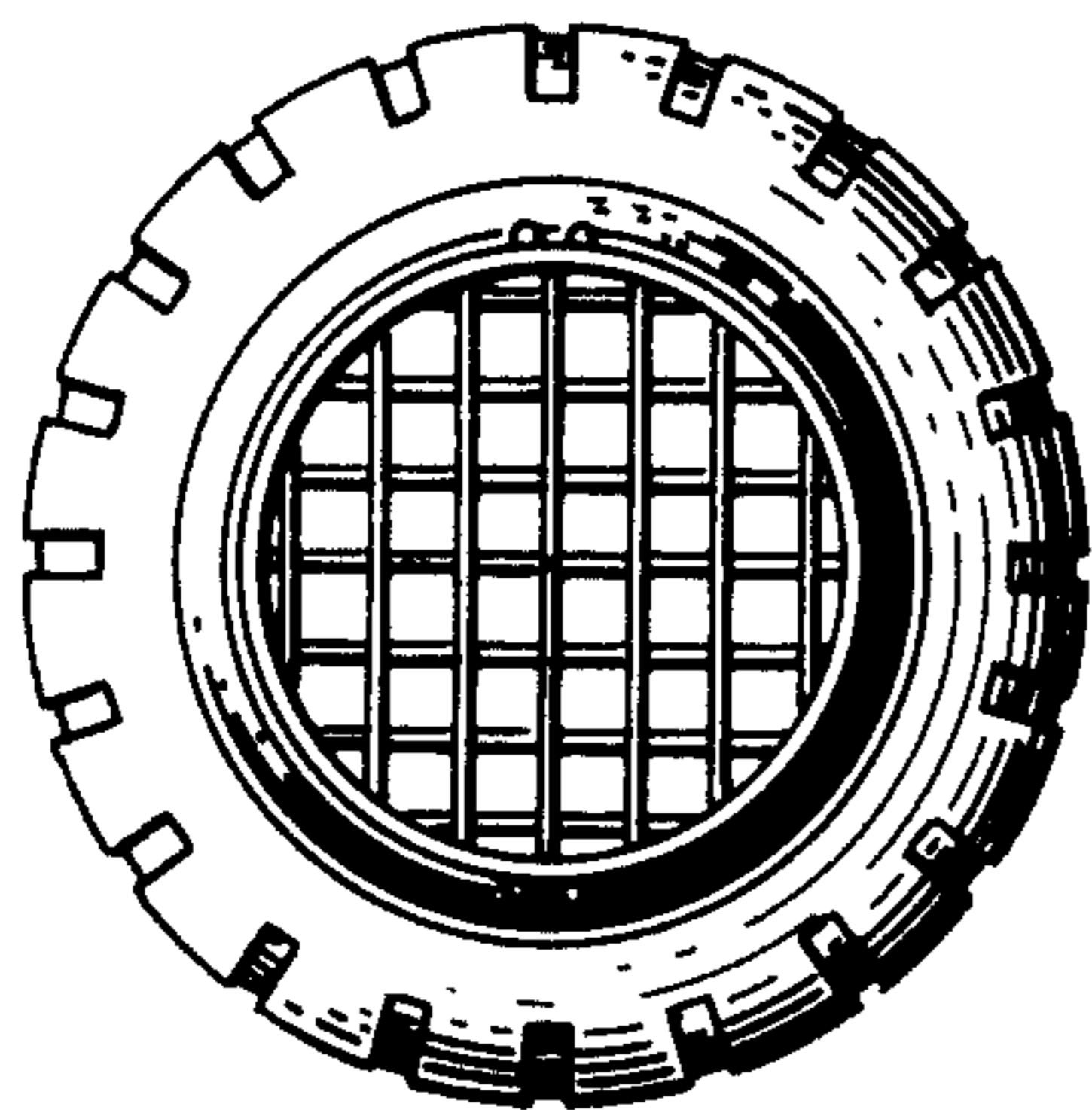


Fig. 4.

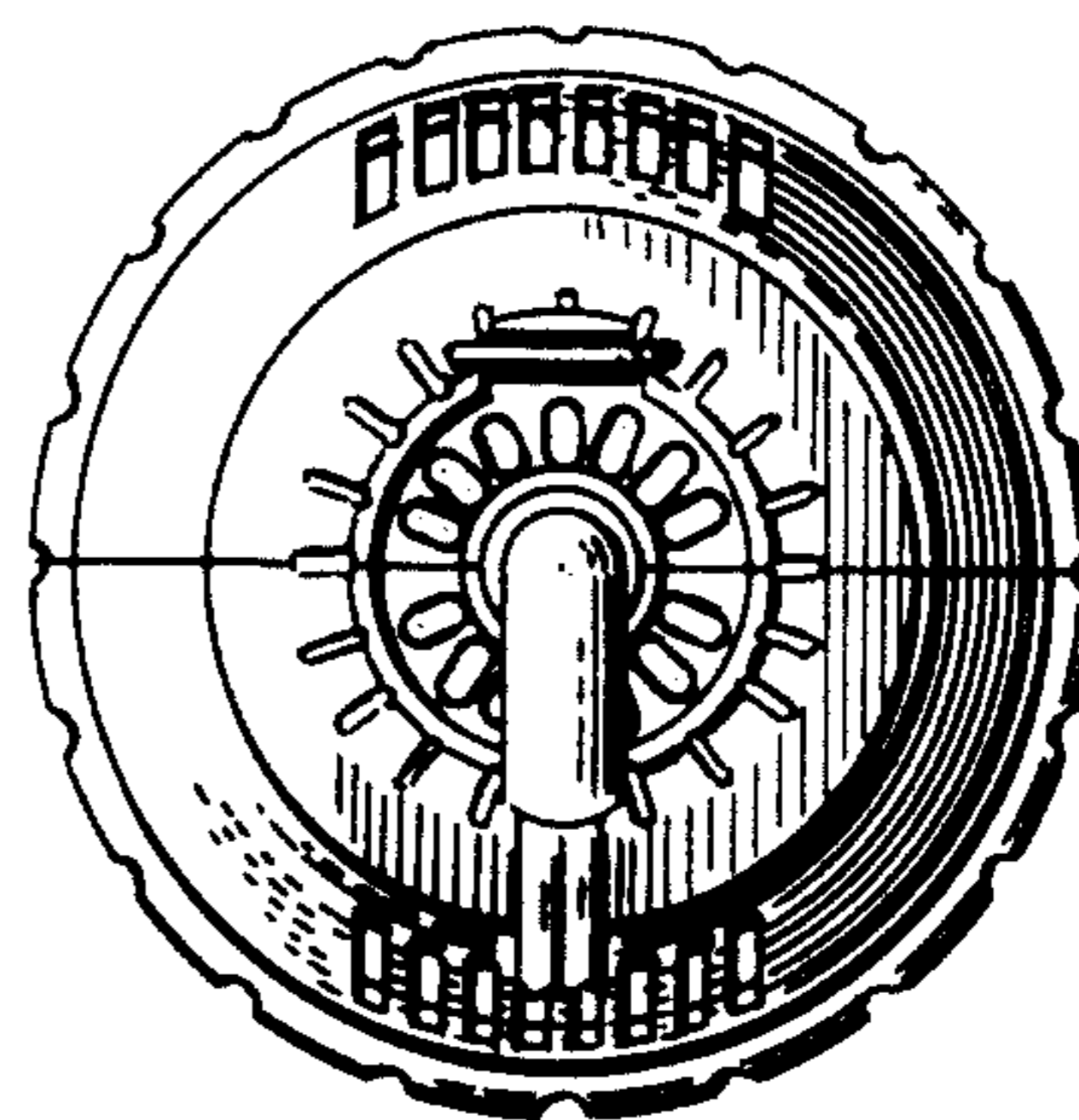


Fig. 5.

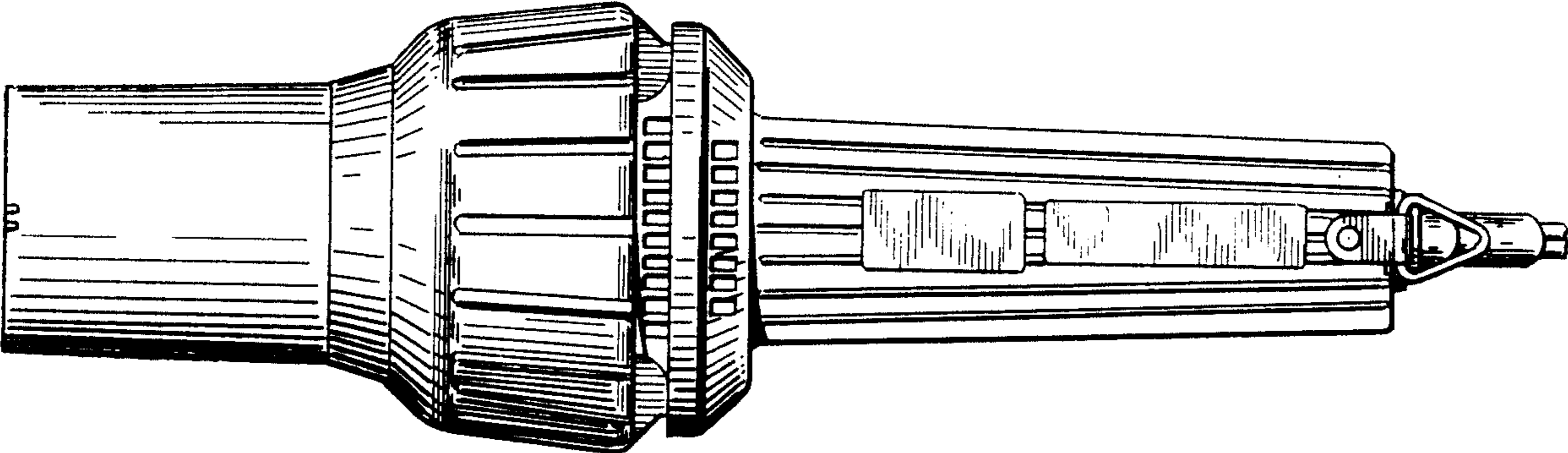


Fig. 6.

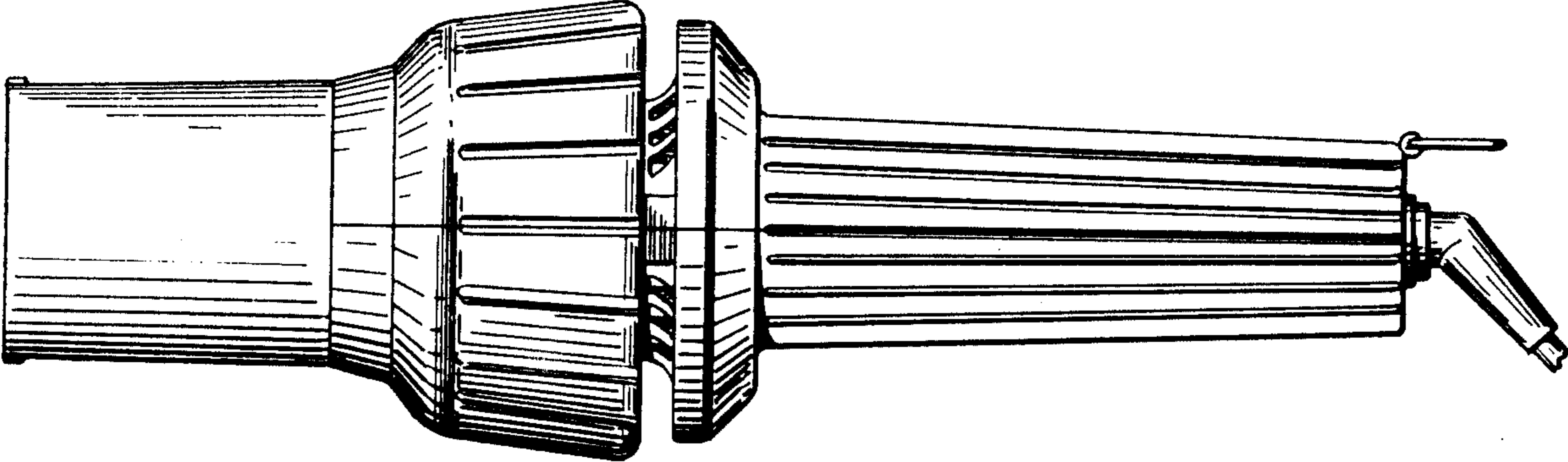
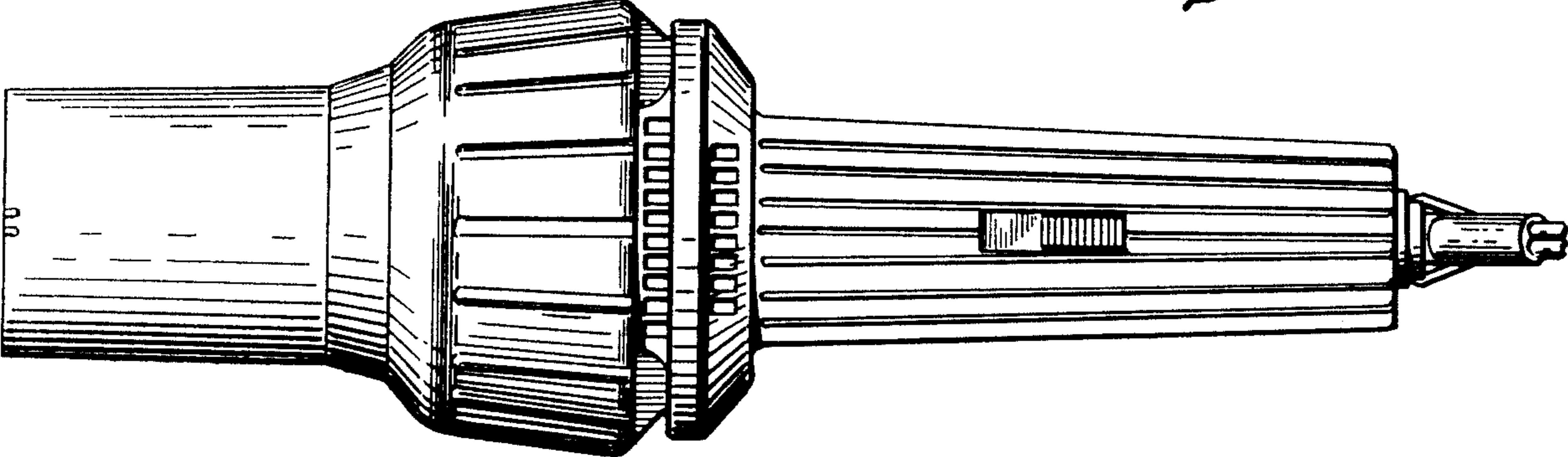
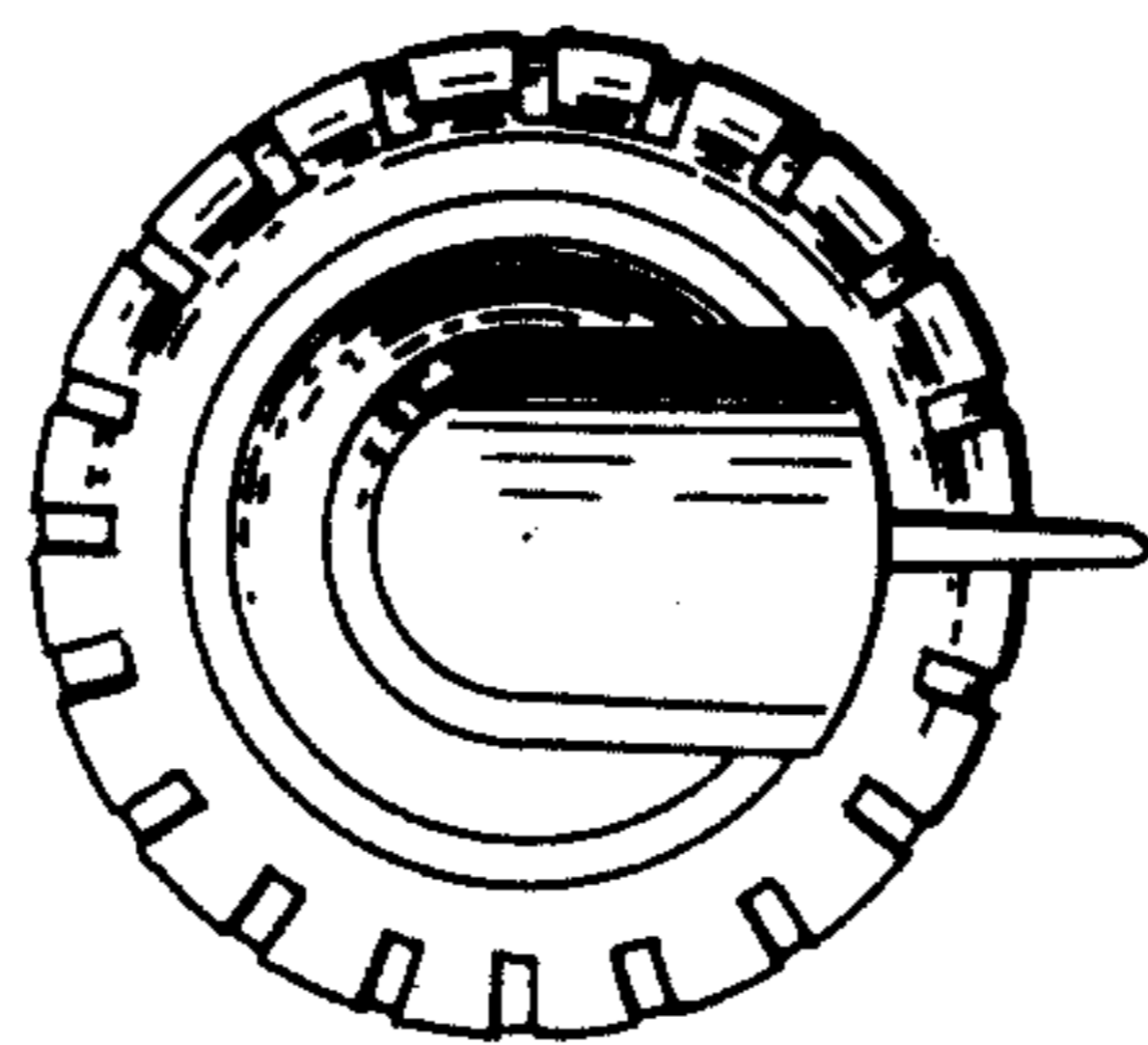
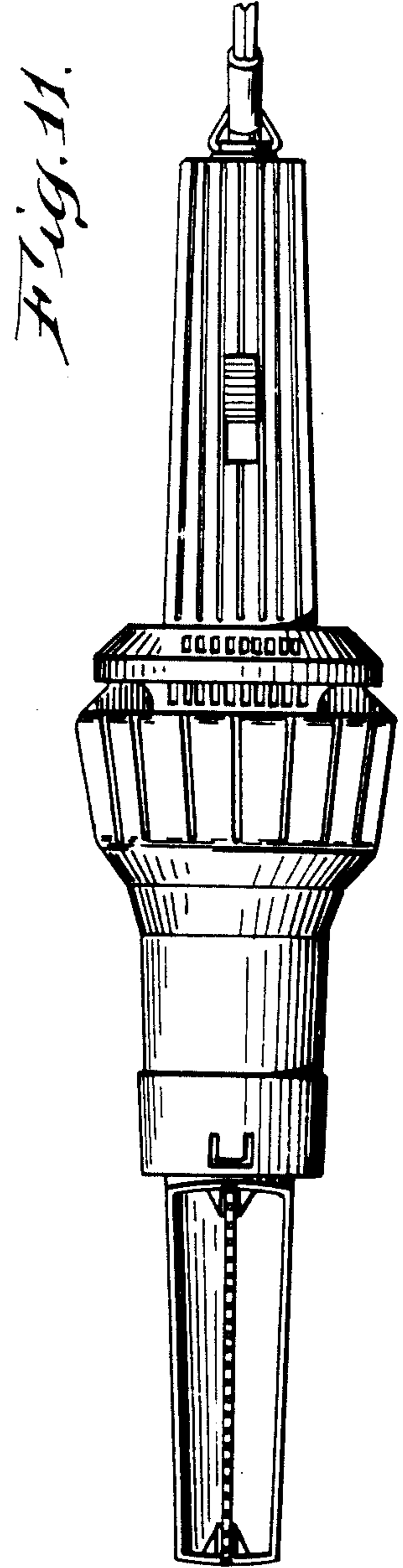
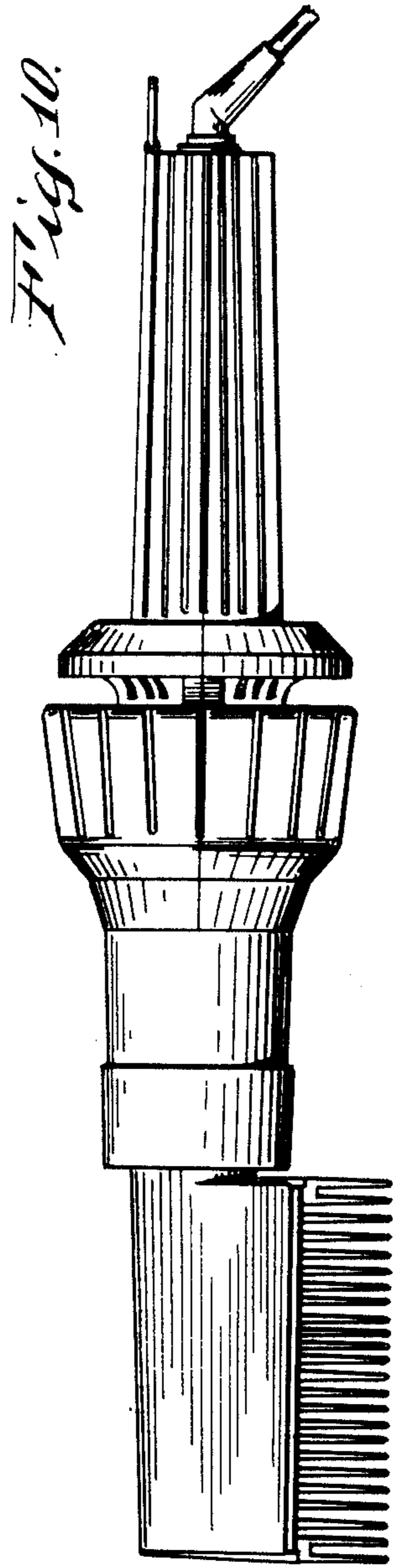
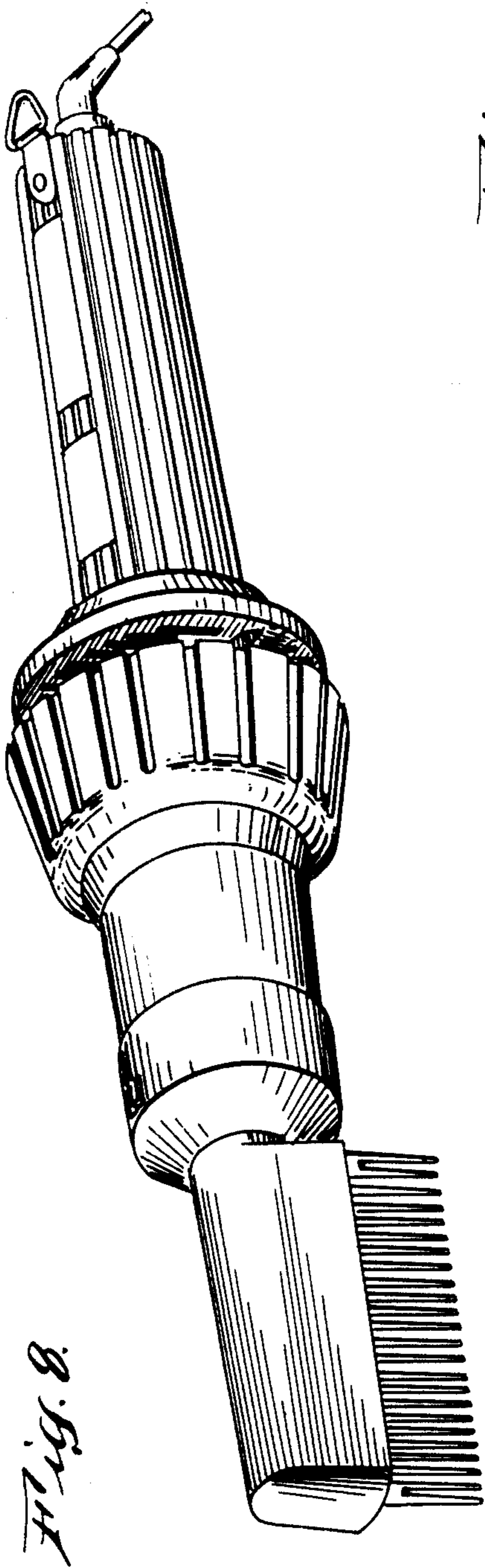


Fig. 7.





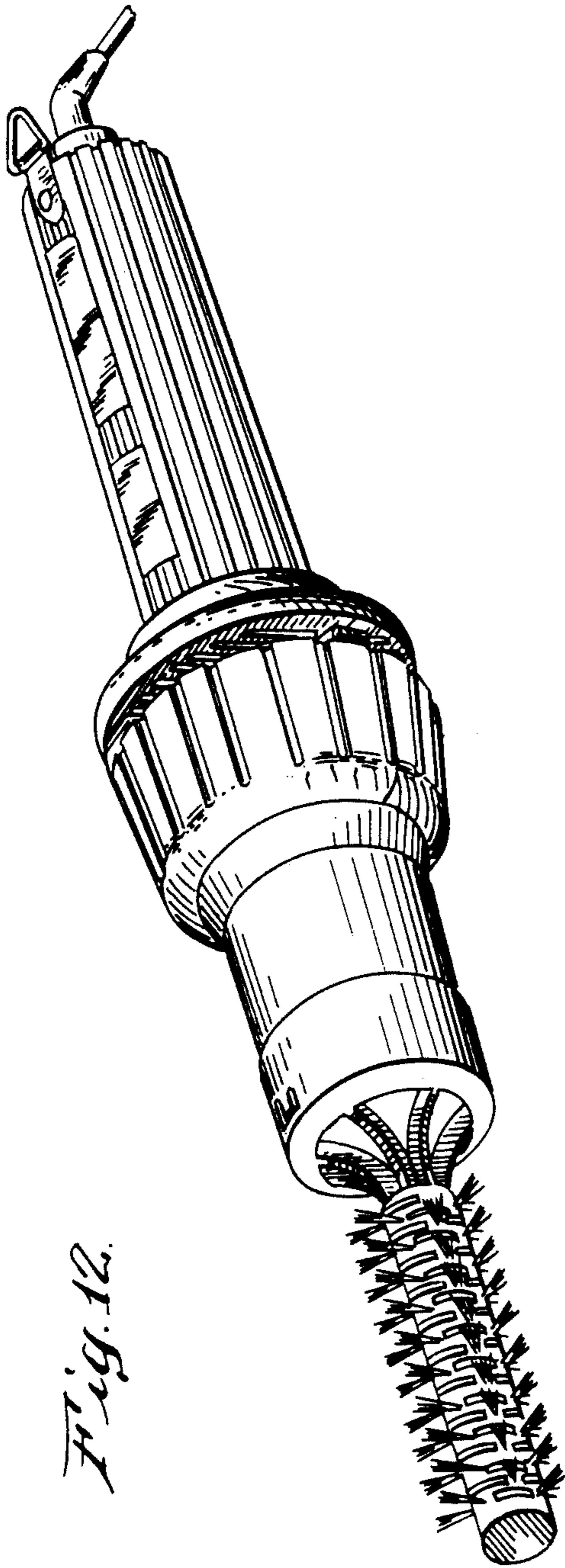


Fig. 12.

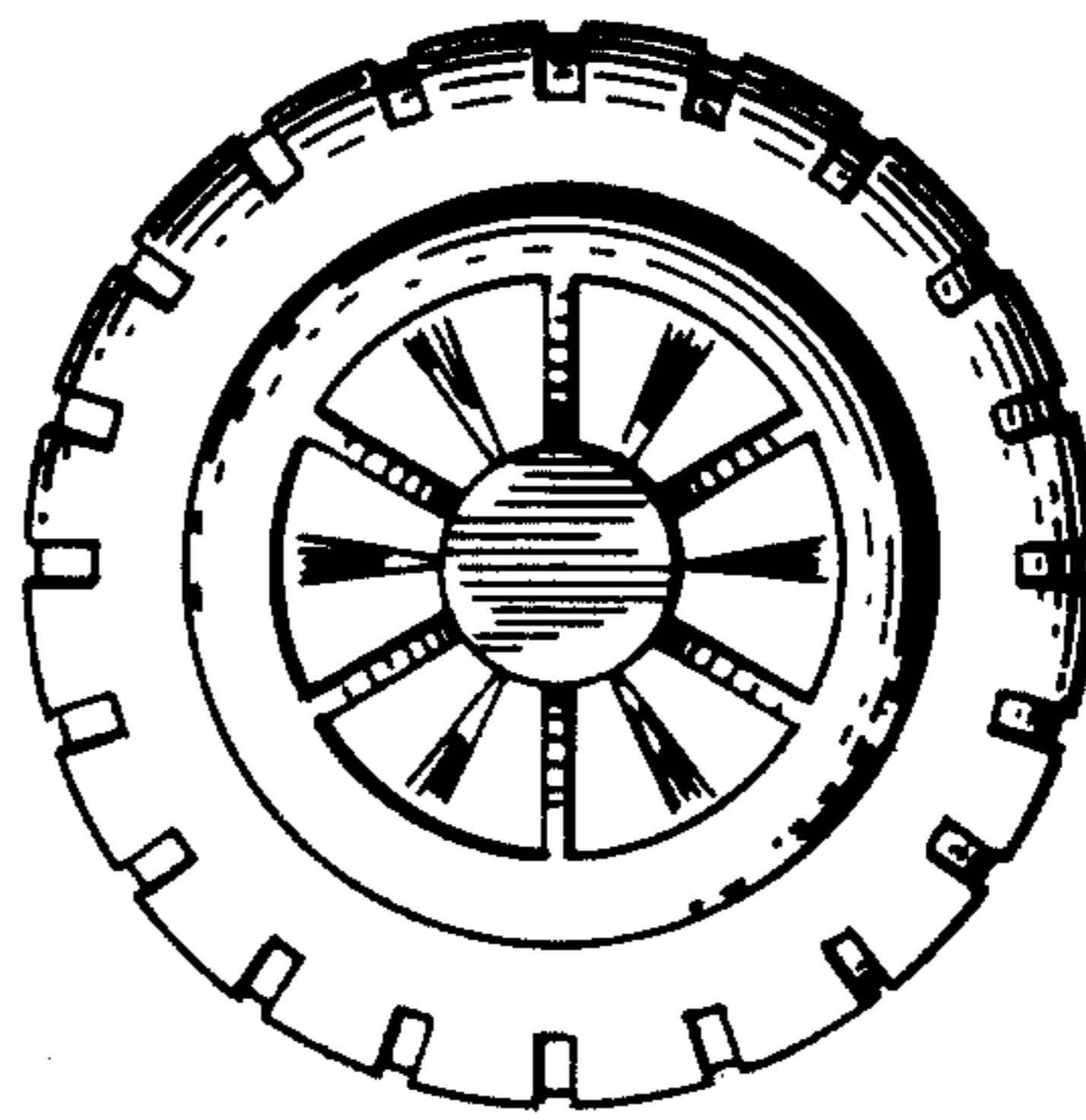


Fig. 13.