

[54] **TUBE HOLDER FOR MEDICAL SPECIMEN MIXING DEVICE OR SIMILAR ARTICLE**

[75] Inventors: **William W. Bassett, Wayzata;**
Eugene D. Johnson, Spring Lake
Park, both of Minn.

[73] Assignee: **Honeywell Inc., Minneapolis, Minn.**

[**] Term: **14 Years**

[21] Appl. No.: **667,230**

[22] Filed: **Mar. 15, 1976**

[51] Int. Cl. **D24-01**

[52] U.S. Cl. **D24/22; D24/1.1;**

[58] **Field of Search**259/91, 57; 23/259;
233/26, 23 R, 24, 25; 211/74; D24/1.1, 8, 22

[56] **References Cited**

U.S. PATENT DOCUMENTS

D. 165,620 1/1952 Via D24/22

D. 231,924	6/1974	Pollard	D24/22
3,163,404	12/1964	Kraft et al.	259/57
3,825,178	7/1974	Burg	233/26
3,891,140	6/1975	Ayres	233/26
3,901,658	8/1975	Burtis et al.	233/26
3,980,227	9/1976	Witty et al.	233/23
4,015,774	4/1977	Taylor	233/26

Primary Examiner—Bernard Ansher
Attorney, Agent, or Firm—Henry L. Hanson

[57] **CLAIM**

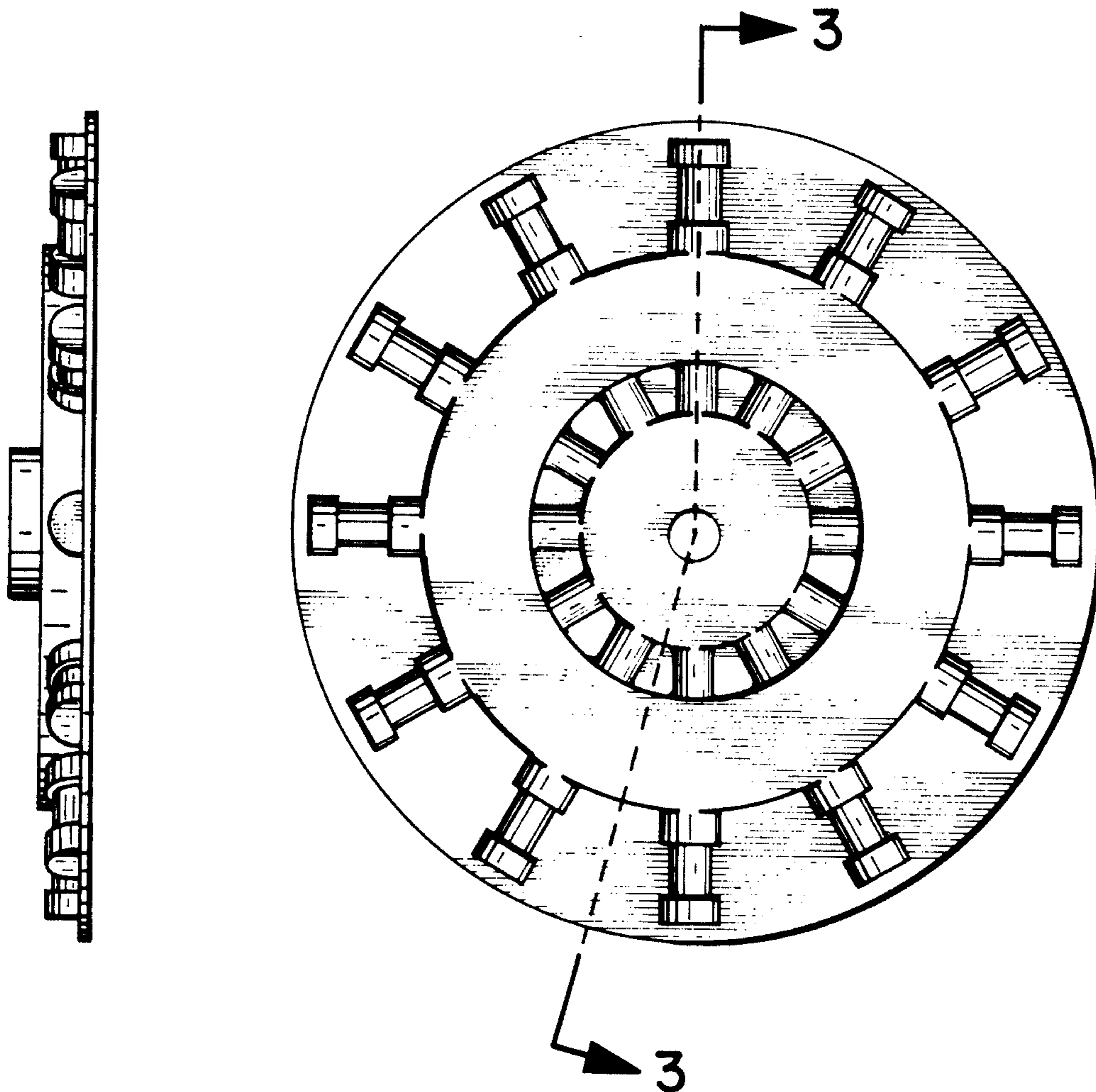
The ornamental design for a tube holder for medical specimen mixing device or similar article, substantially as shown and described.

DESCRIPTION

FIG. 1 is a top or plan view of a tube holder for medical specimen mixing device or similar article showing our design.

FIG. 2 is a side view looking from the left hand side of the article of FIG. 1.

FIG. 3 is a sectional view taken along lines 3—3 of FIG. 1 depicting the contours of the article.



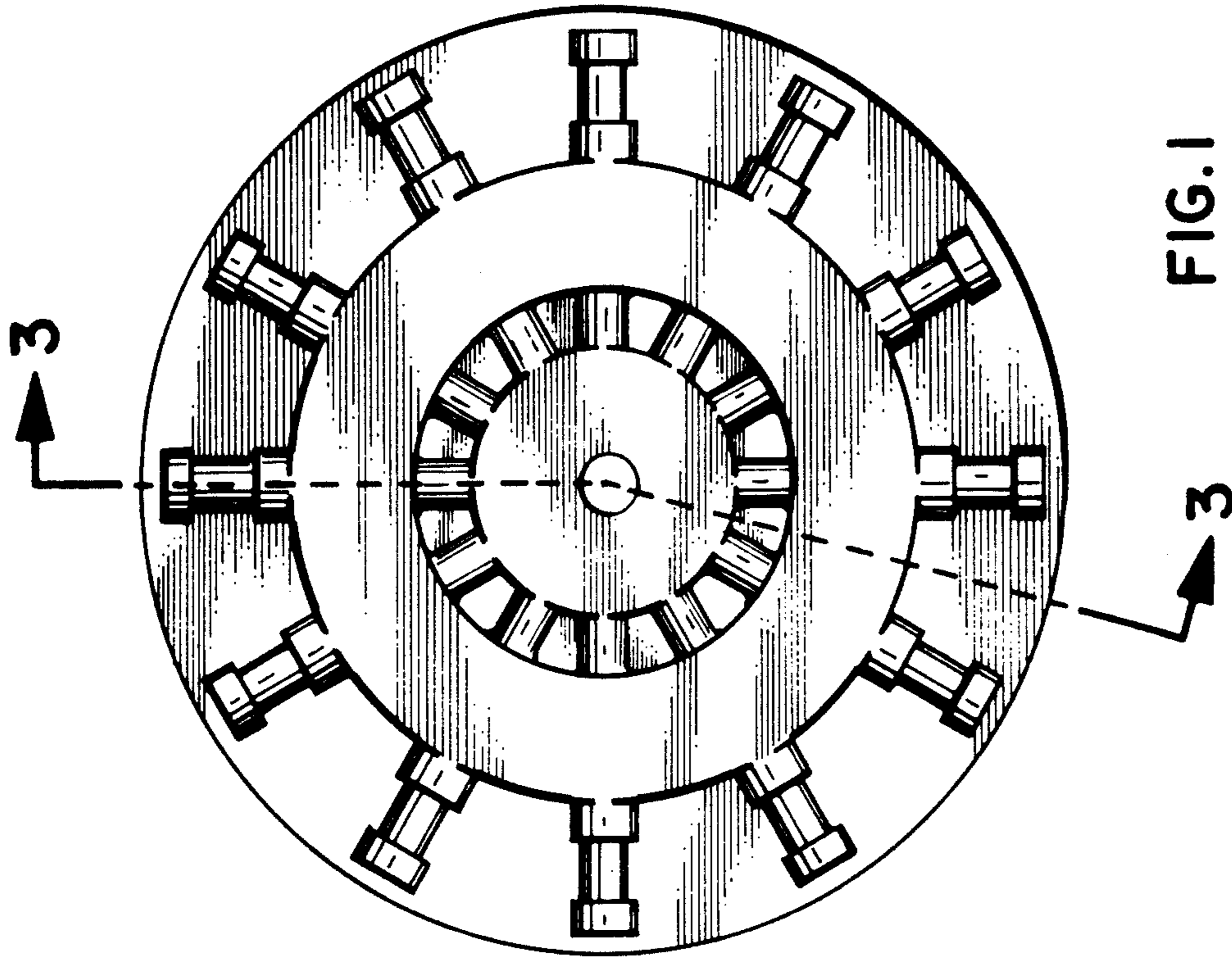


FIG. 1



FIG. 2



FIG. 3