

[54] **MAGNIFYING LENS HOLDER ASSEMBLY**

[75] Inventor: **Andrew Del Pesco, Sr.**, East Killingly, Conn.

[73] Assignee: **Del Pesco Systems, Inc.**

[**] Term: **14 Years**

[21] Appl. No.: **673,977**

[22] Filed: **Apr. 5, 1976**

[51] Int. Cl. **16—06**

[52] U.S. Cl. **D16/54; 350/248**

[58] Field of Search 350/247, 242, 180, 282, 350/383, 248, 239, 250; D16/54, 56; 248/474

[56] **References Cited**

U.S. PATENT DOCUMENTS

| | | | | |
|-----------|--------|----------------|-------|---------|
| 1,148,550 | 8/1915 | Thompson | | D16/54 |
| 3,955,884 | 5/1976 | Del Pesco, Sr. | | 350/242 |

4,037,940 7/1977 Yates et al. 350/247

Primary Examiner—Bernard Ansher
Attorney, Agent, or Firm—Elliott A. Salter

[57] **CLAIM**

The ornamental design for a magnifying lens holder assembly, substantially as shown.

DESCRIPTION

FIG. 1 is a front elevational view of a magnifying lens holder assembly showing my new design;

FIG. 2 is a rear elevational view thereof;

FIG. 3 is an end view looking from the left with respect to FIG. 1;

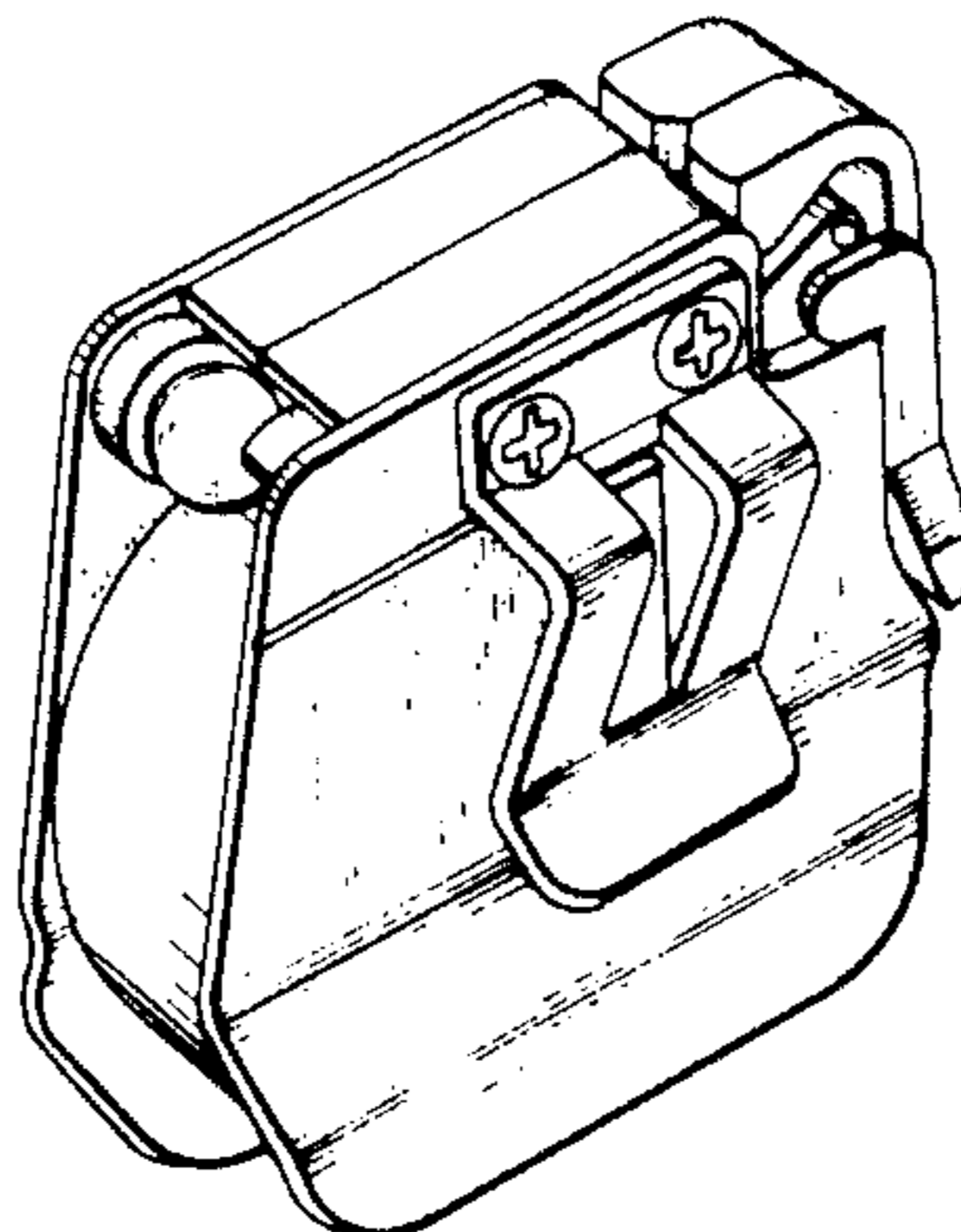
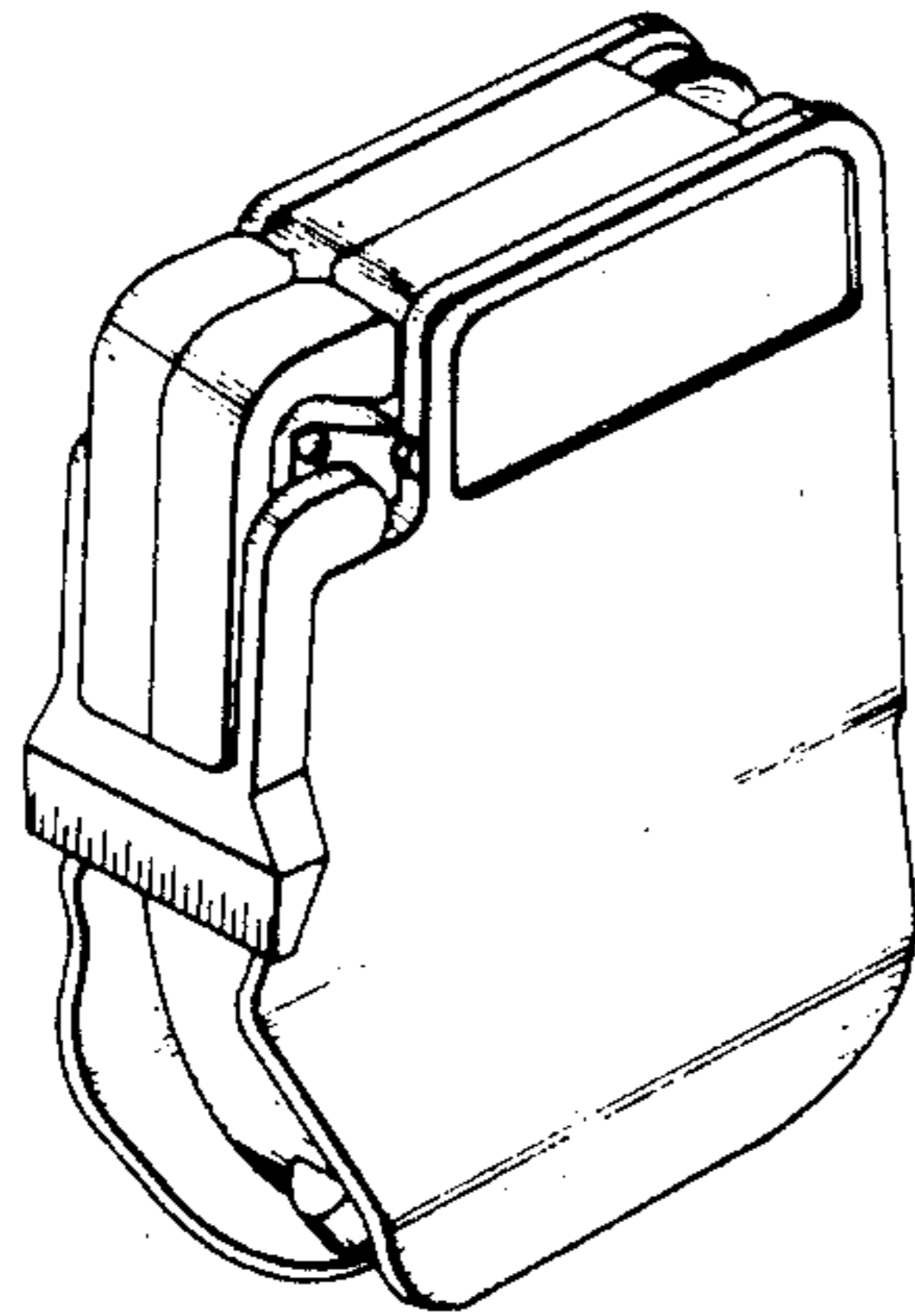
FIG. 4 is an end view looking from the right with respect to FIG. 1;

FIG. 5 is a top plan view thereof;

FIG. 6 is a bottom plan view thereof;

FIG. 7 is a front perspective view thereof; and

FIG. 8 is a rear perspective view thereof.



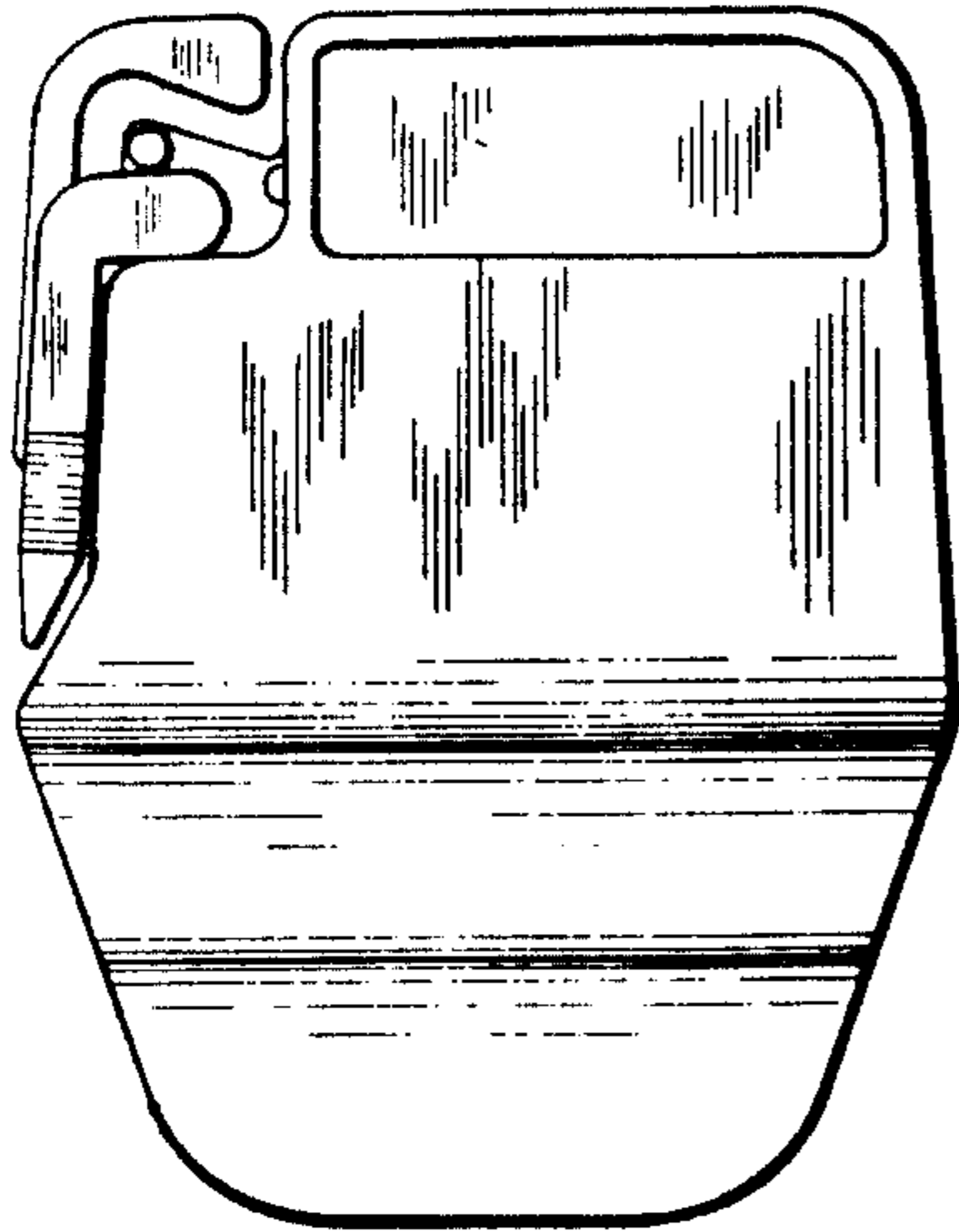


FIG. 1

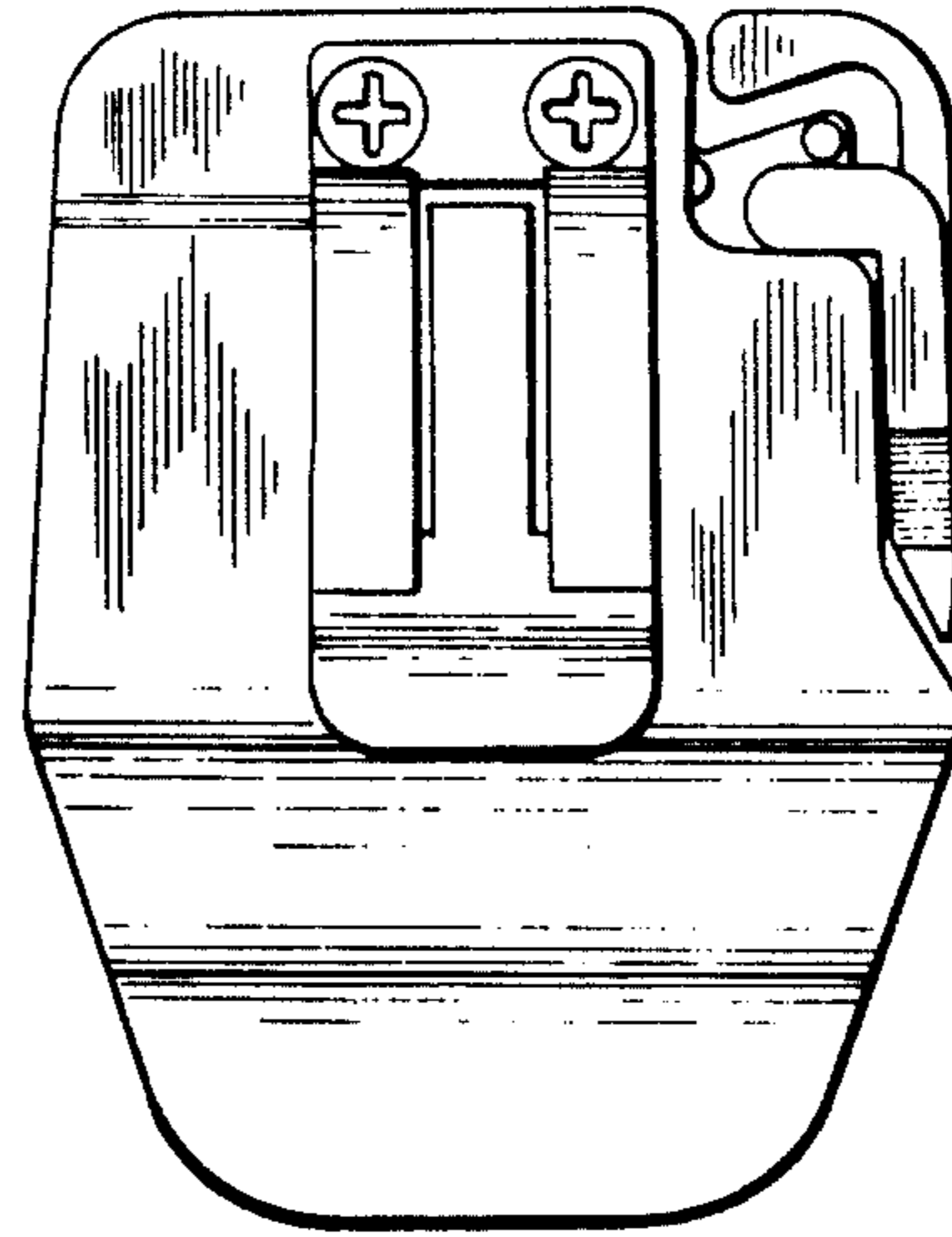


FIG. 2

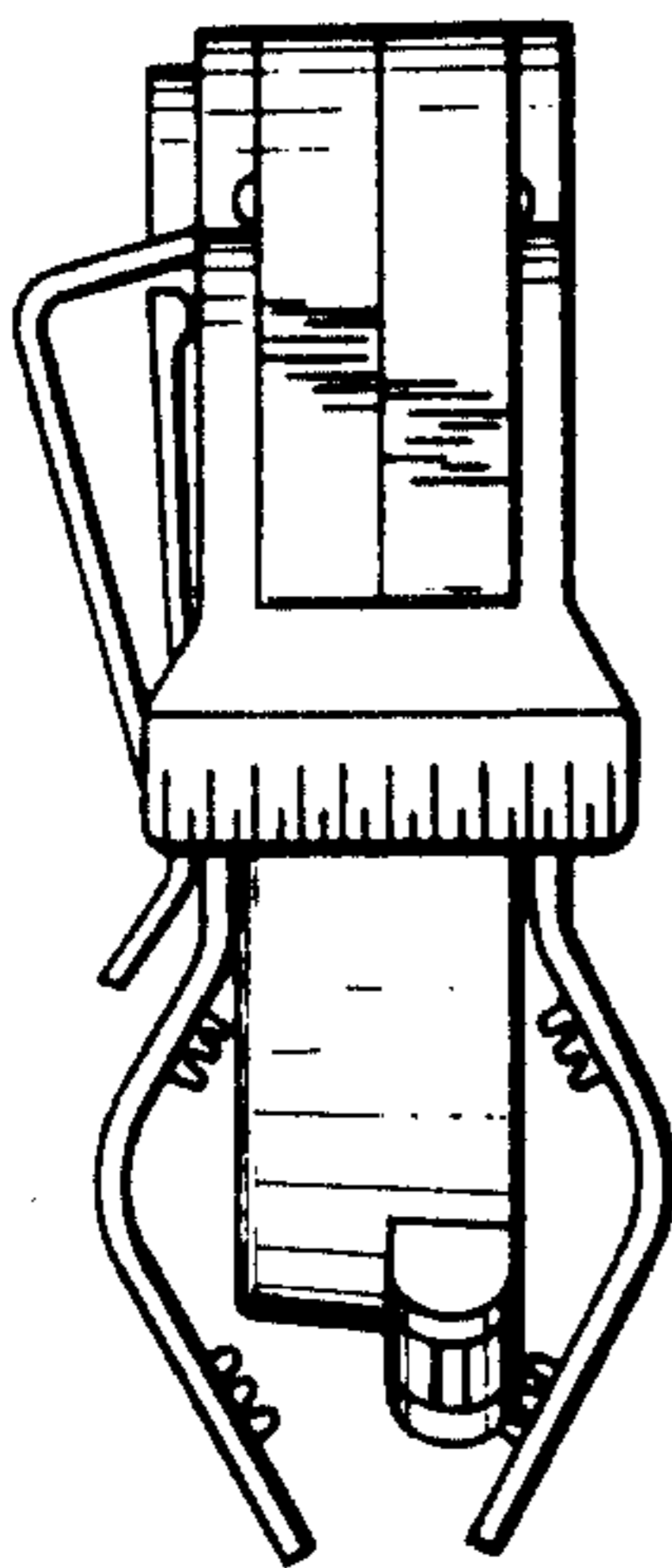


FIG. 3

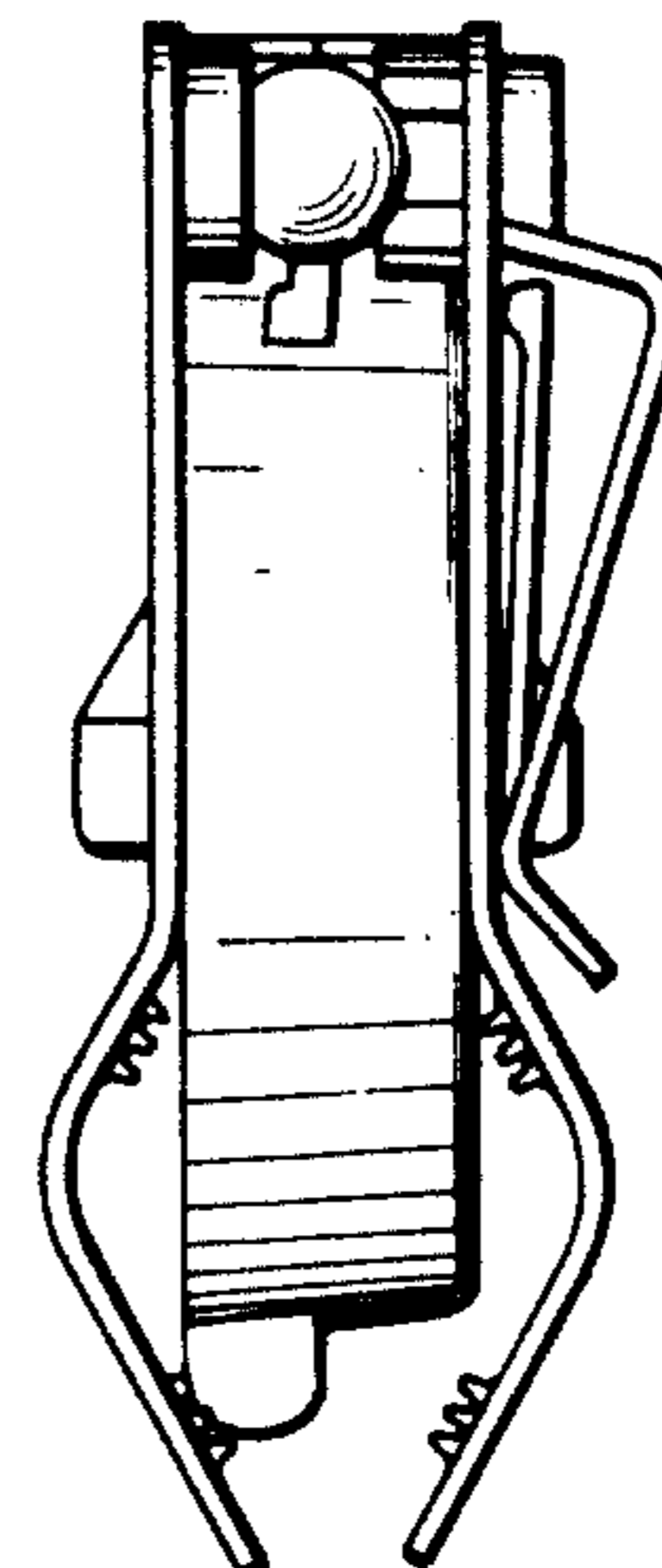


FIG. 4

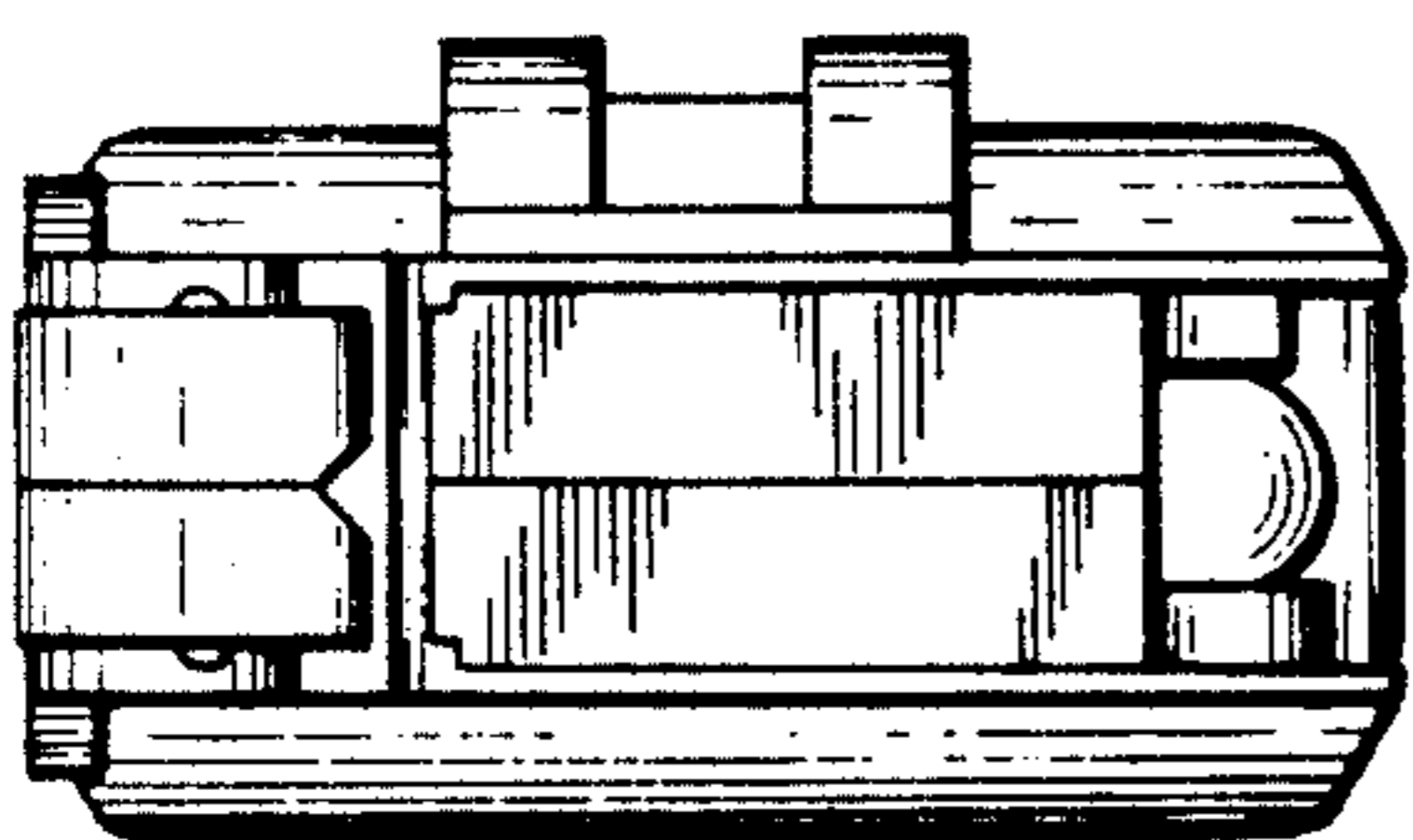


FIG. 5

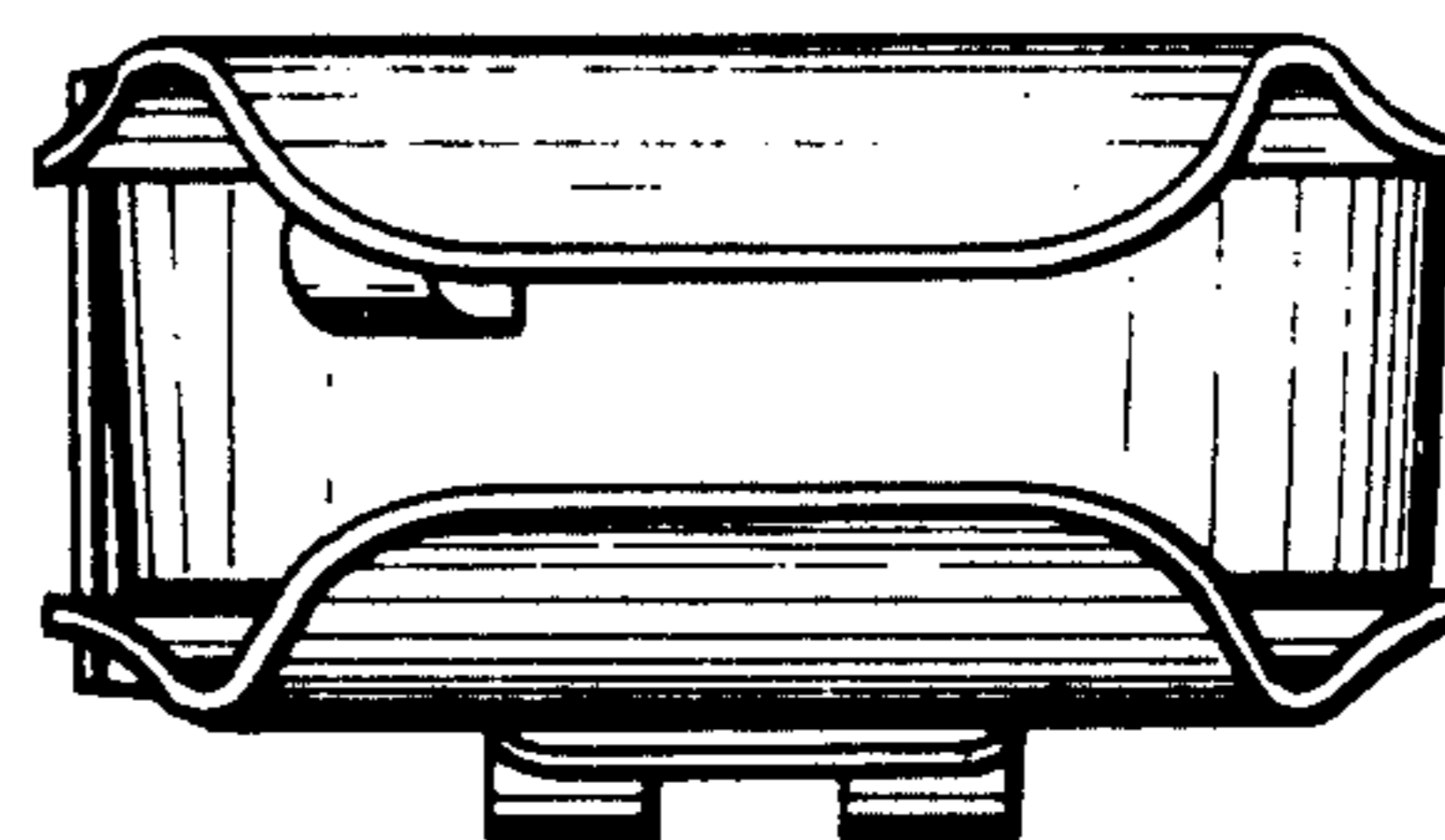


FIG. 6

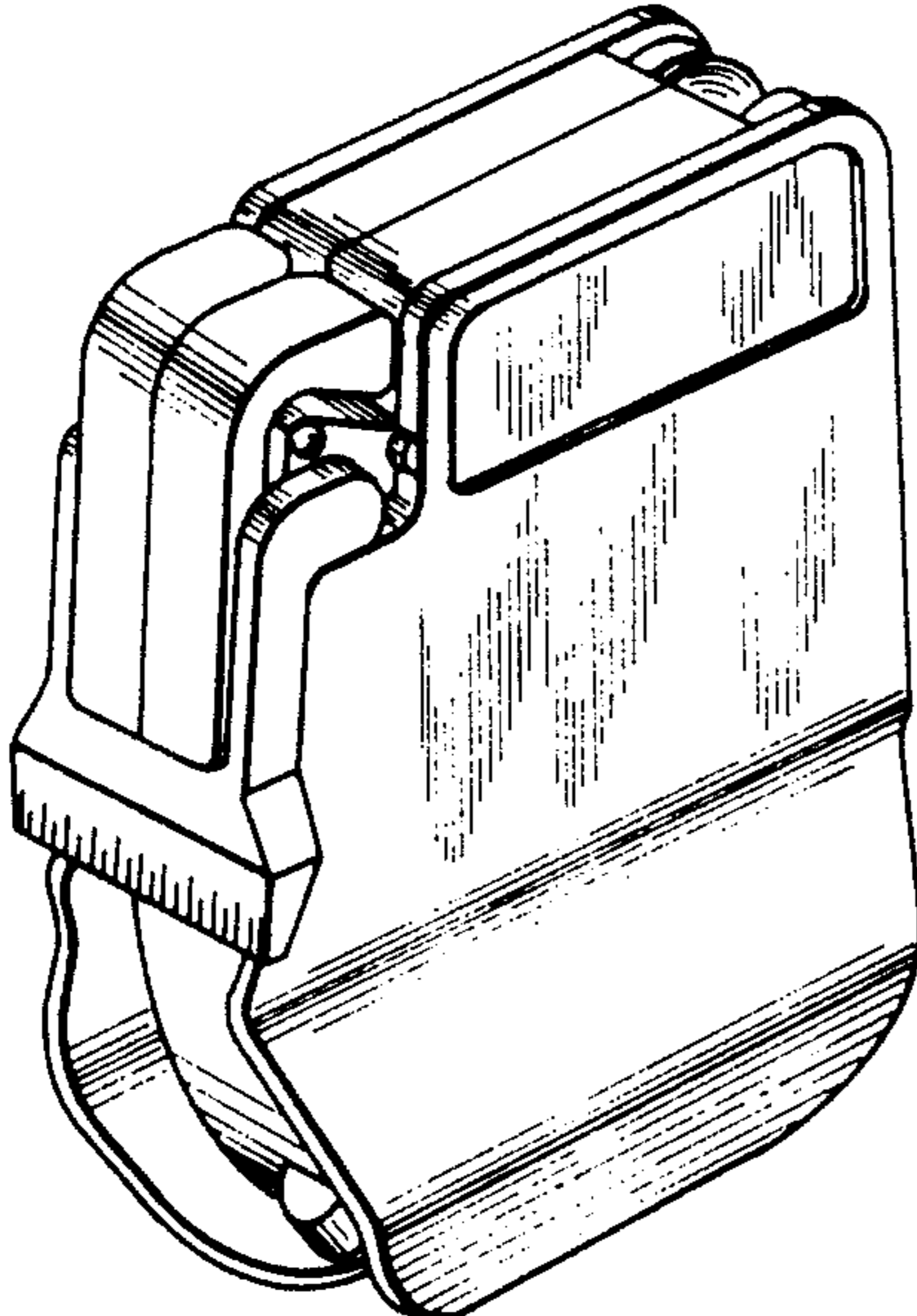


FIG. 7

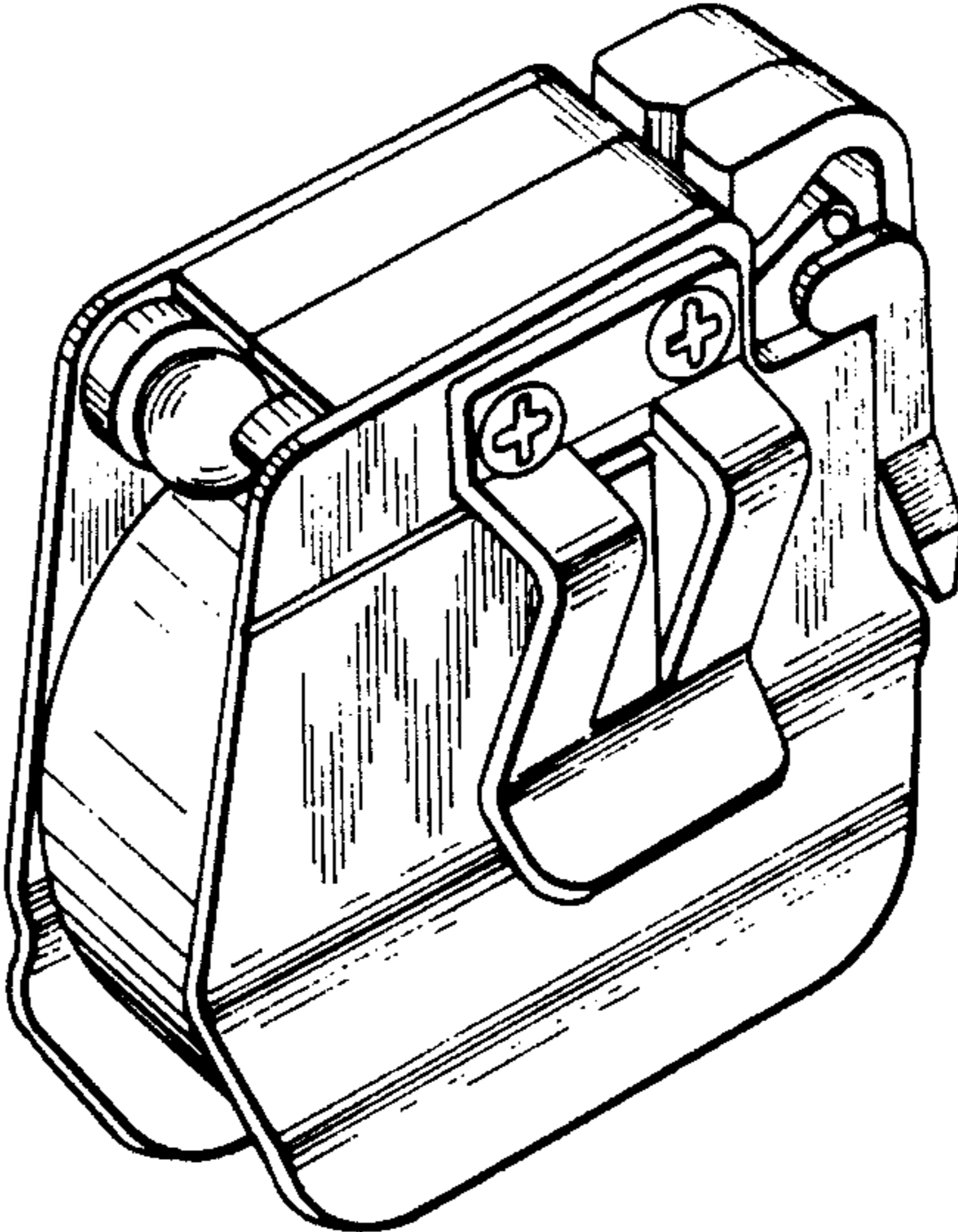


FIG. 8