

[54] COLLATOR FOR USE WITH AN ELECTROPHOTOGRAPHIC APPARATUS OR THE LIKE

[75] Inventors: John Charles Alderson; Robert Milton Hofland; Richard Allen Lamos, all of Boulder, Colo.

[73] Assignee: International Business Machines Corporation, Armonk, N.Y.

[\*\*] Term: 14 Years

[21] Appl. No.: 663,642

[22] Filed: Mar. 4, 1976

[51] Int. Cl. .... D15-05; D14-02

[52] U.S. Cl. .... D16/32; D14/48

[58] Field of Search .... D16/27-32; D64/11 R; 270/52-60; 271/64; D14/48

[56] References Cited

U.S. PATENT DOCUMENTS

D. 209,872	1/1968	Plantholt et al. ....	D16/30
D. 236,378	8/1975	Yanofsky .....	D16/30
3,744,790	7/1973	Hoffman .....	270/58 X
3,774,906	11/1973	Fagan et al. ....	270/58 X
3,944,207	3/1976	Bains .....	270/58

Primary Examiner—Bernard Ansher  
Assistant Examiner—Catherine Kemper  
Attorney, Agent, or Firm—Joscelyn G. Cockburn

[57] CLAIM

The ornamental design for collator for use with an electrophotographic apparatus or the like, substantially as shown and described.

DESCRIPTION

FIG. 1 is a top, left side and front perspective view of the collator for use with an electrophotographic apparatus or the like showing our new design.

FIG. 2 is a top, right side and rear perspective view thereof.

FIG. 3 is a front elevational view thereof.

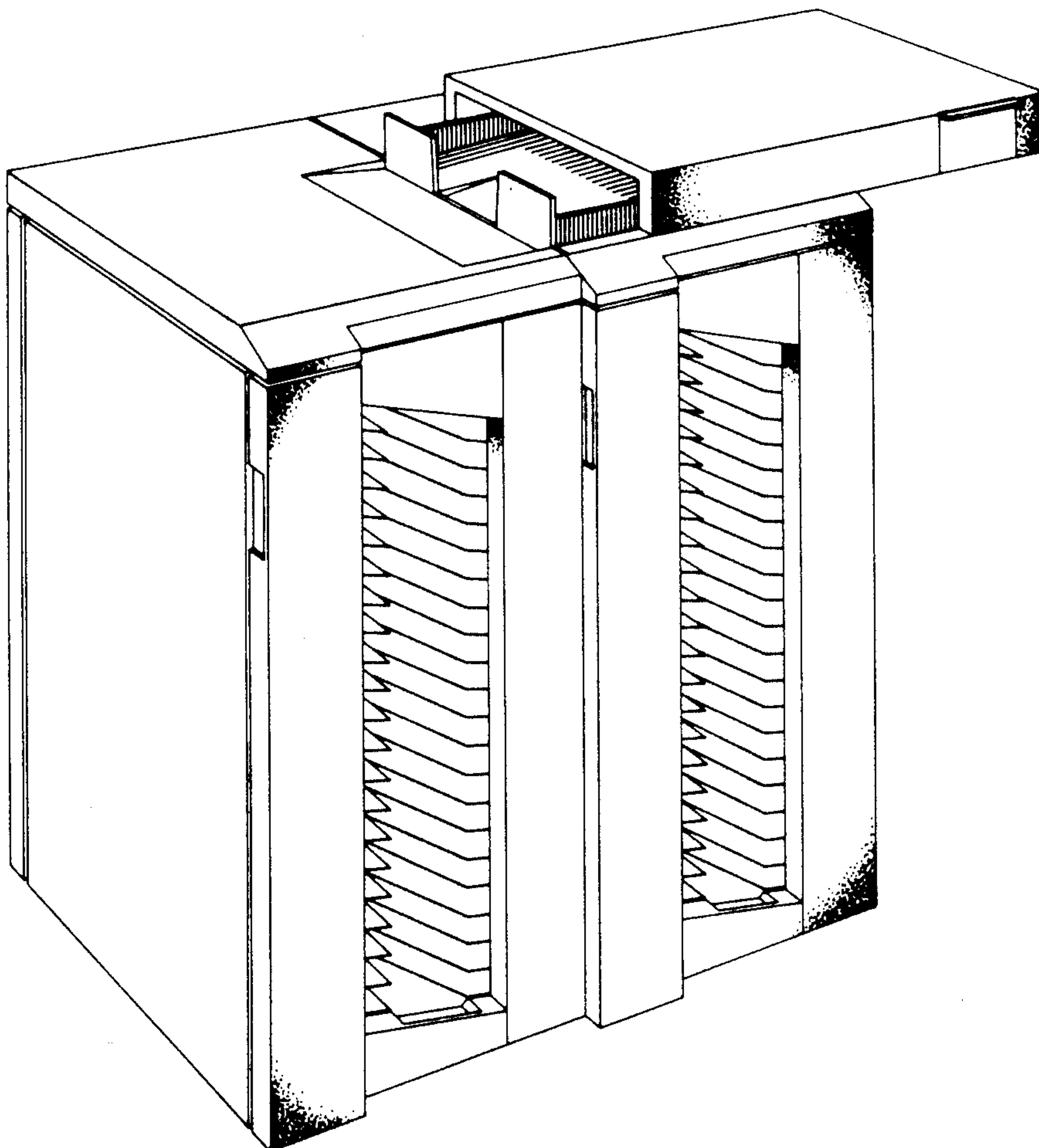


FIG. 1

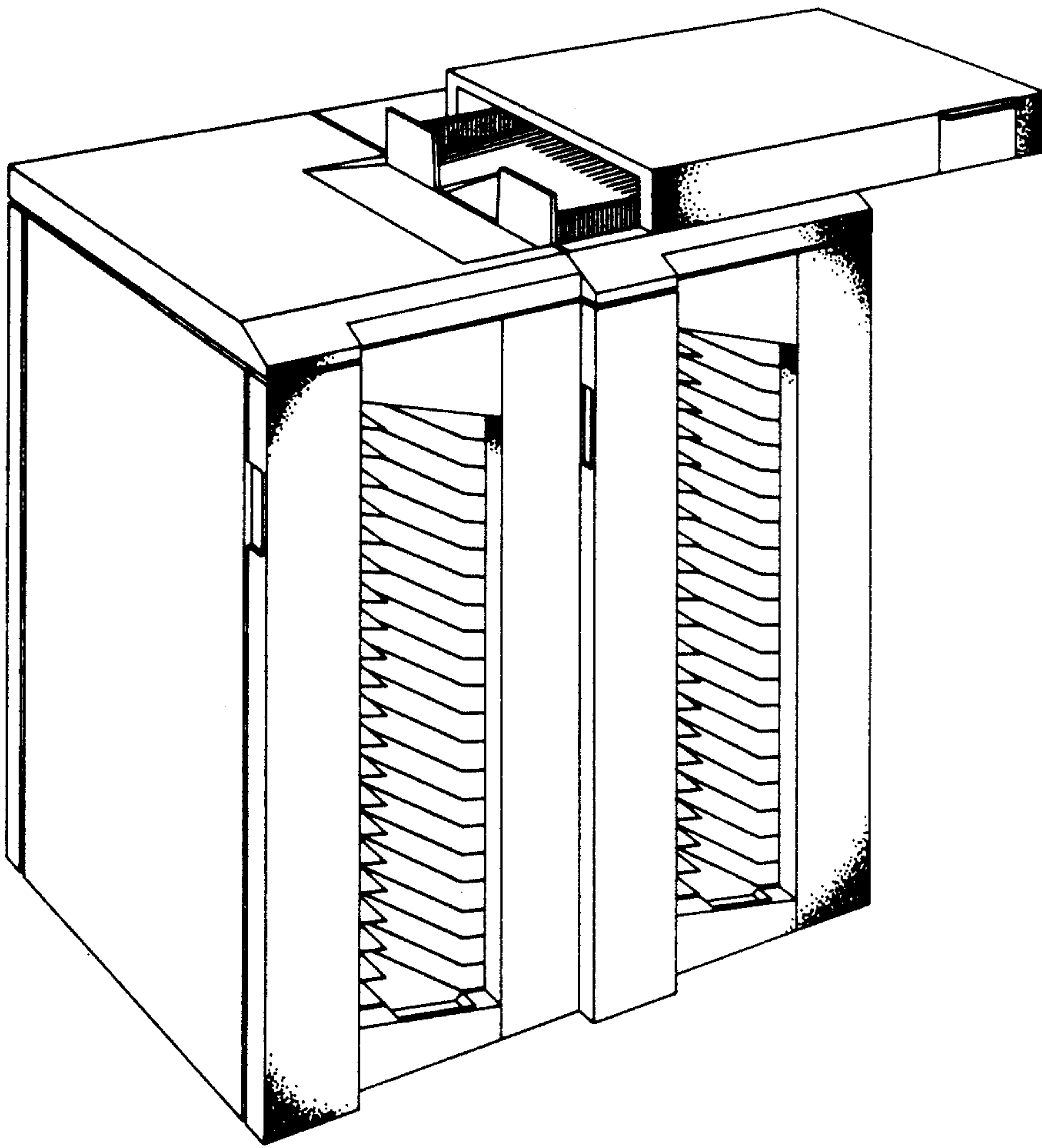
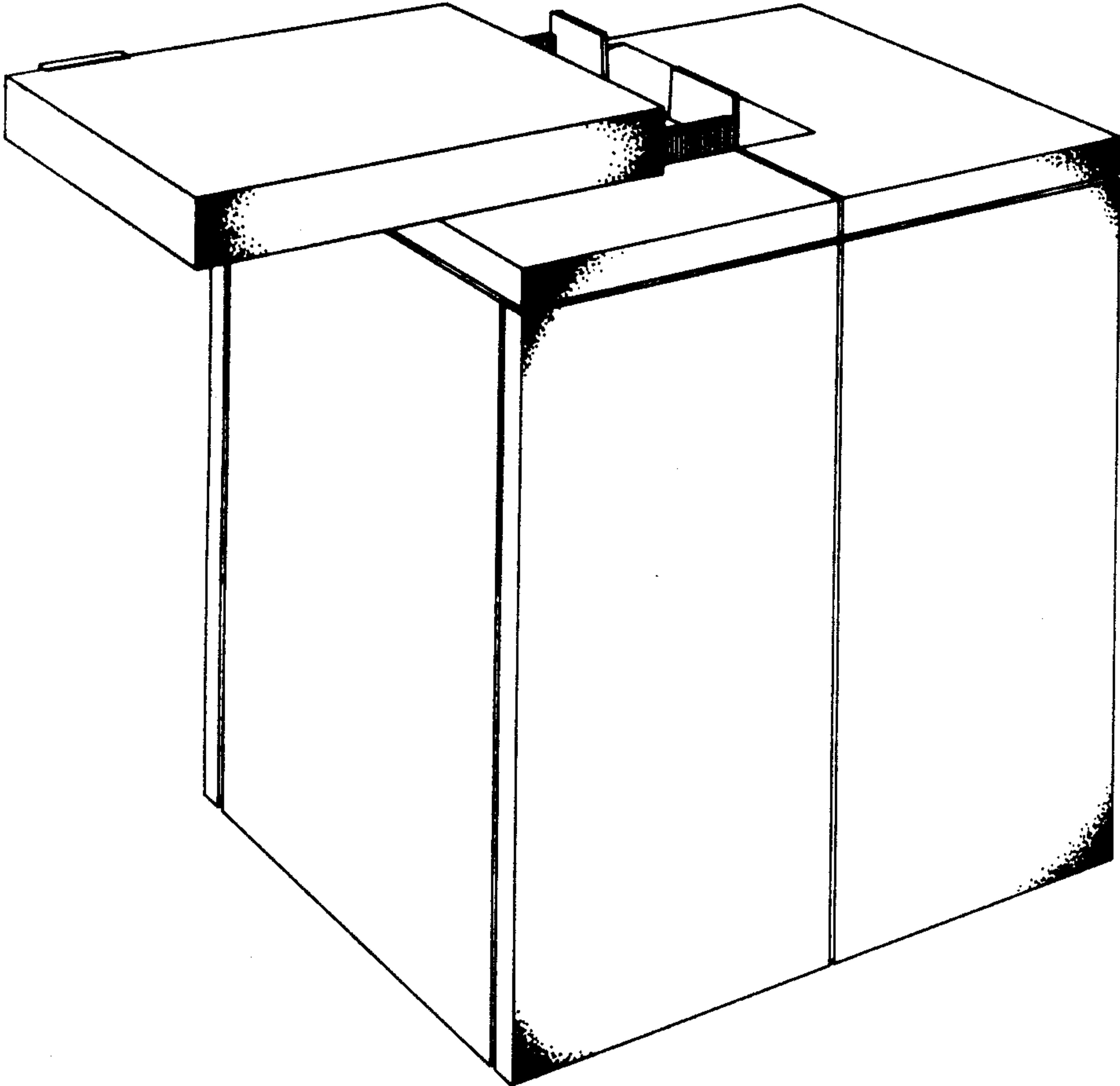


FIG. 2



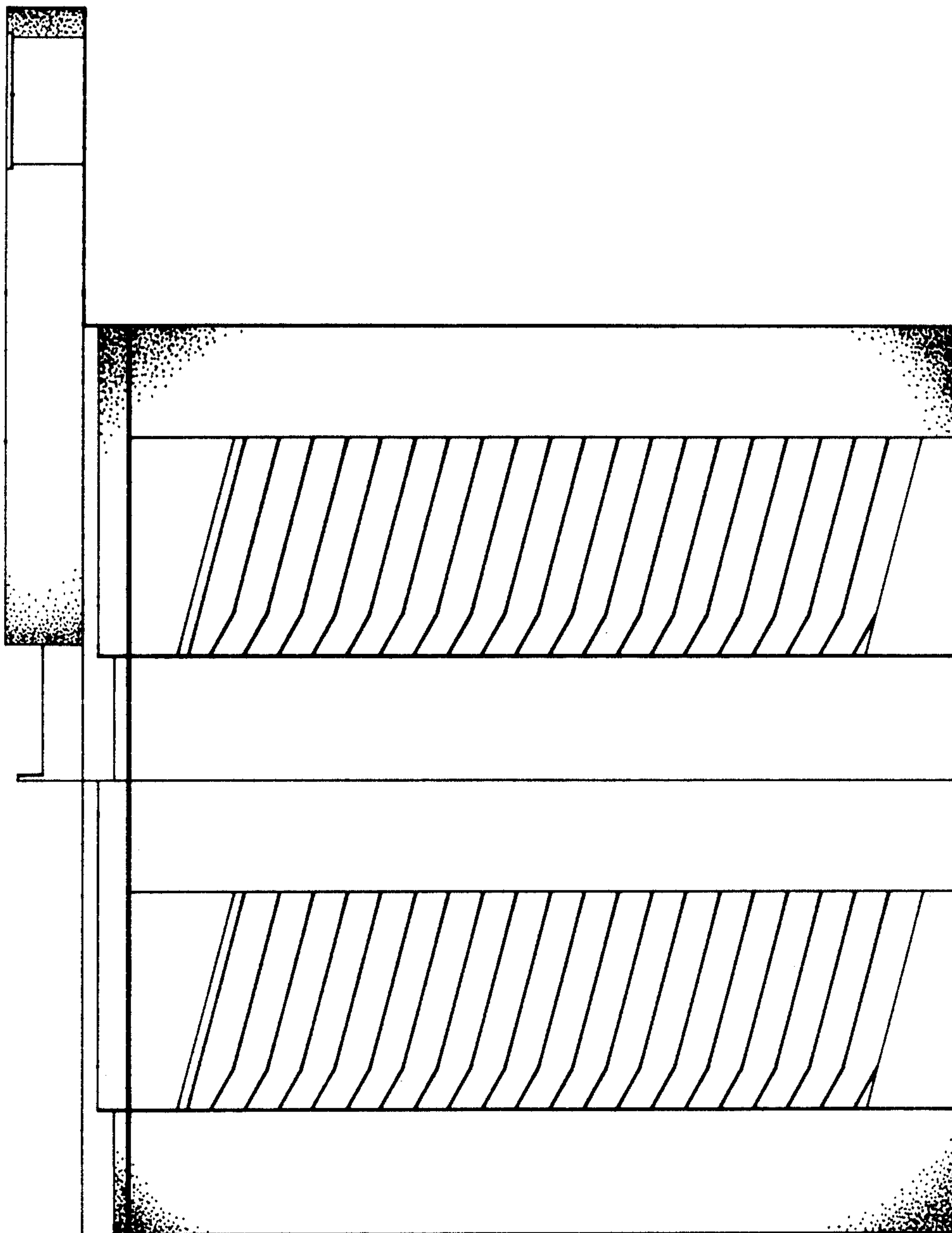


FIG. 3