

[54] BAGMAKER/SEALER

[75] Inventors: Bill Dobson, West Bend, Wis.; Dave Painter, Glenview, Ill.

[73] Assignee: Dart Industries, Inc., Los Angeles, Calif.

[\*\*] Term: 14 Years

[21] Appl. No.: 754,158

[22] Filed: Dec. 27, 1976

[51] Int. Cl. .... D15-99

[52] U.S. Cl. .... D15/146

[58] Field of Search ..... D15/146; 156/583, 515, 156/510

[56]

References Cited

U.S. PATENT DOCUMENTS

D. 215,568	10/1969	Kellogg .....	D15/146
D. 238,444	1/1976	Schipper .....	D15/146
3,847,712	11/1974	Hubbard .....	156/583

Primary Examiner—Alan P. Douglas  
Attorney, Agent, or Firm—Kenneth J. Hovet

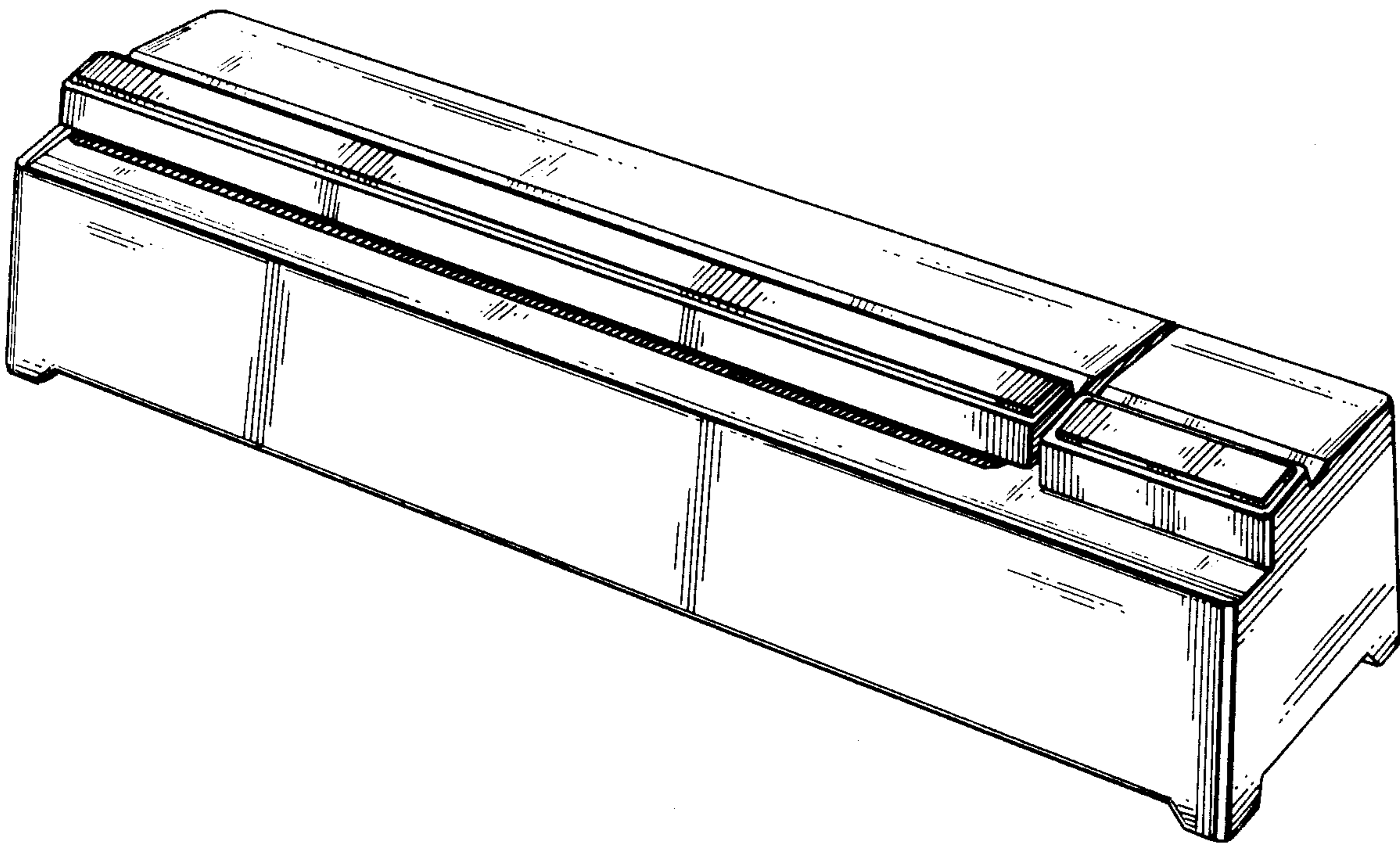
[57]

CLAIM

The ornamental design for a bagmaker/sealer, substantially as is shown and described.

DESCRIPTION

FIG. 1 is a front perspective view of the bagmaker/sealer showing my new design; FIG. 2 is an end elevation view thereof; FIG. 3 is a front elevation view thereof; FIG. 4 is a back elevation view thereof; FIG. 5 is a top plan elevation view thereof; and, FIG. 6 is a bottom plan elevation view.



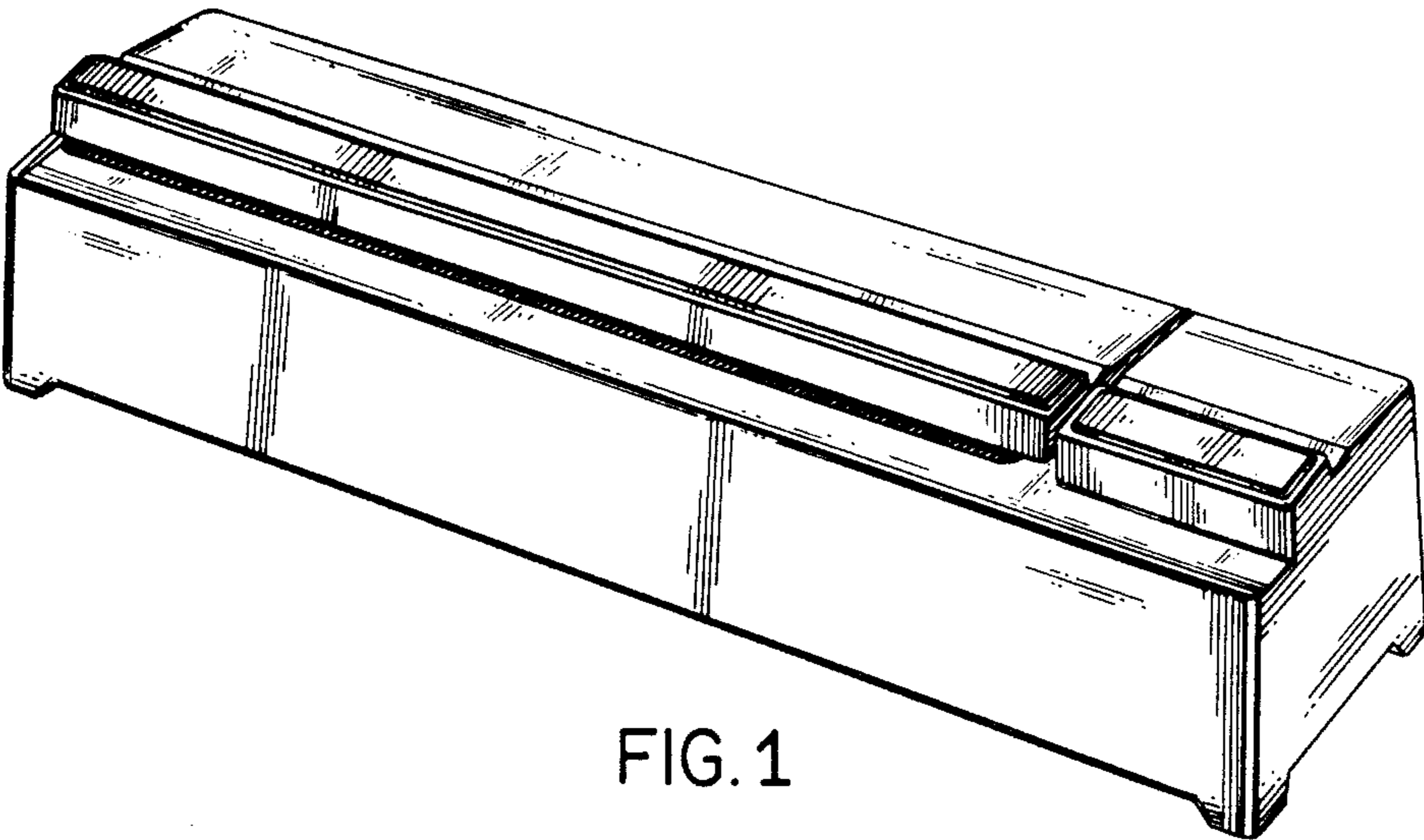


FIG. 1

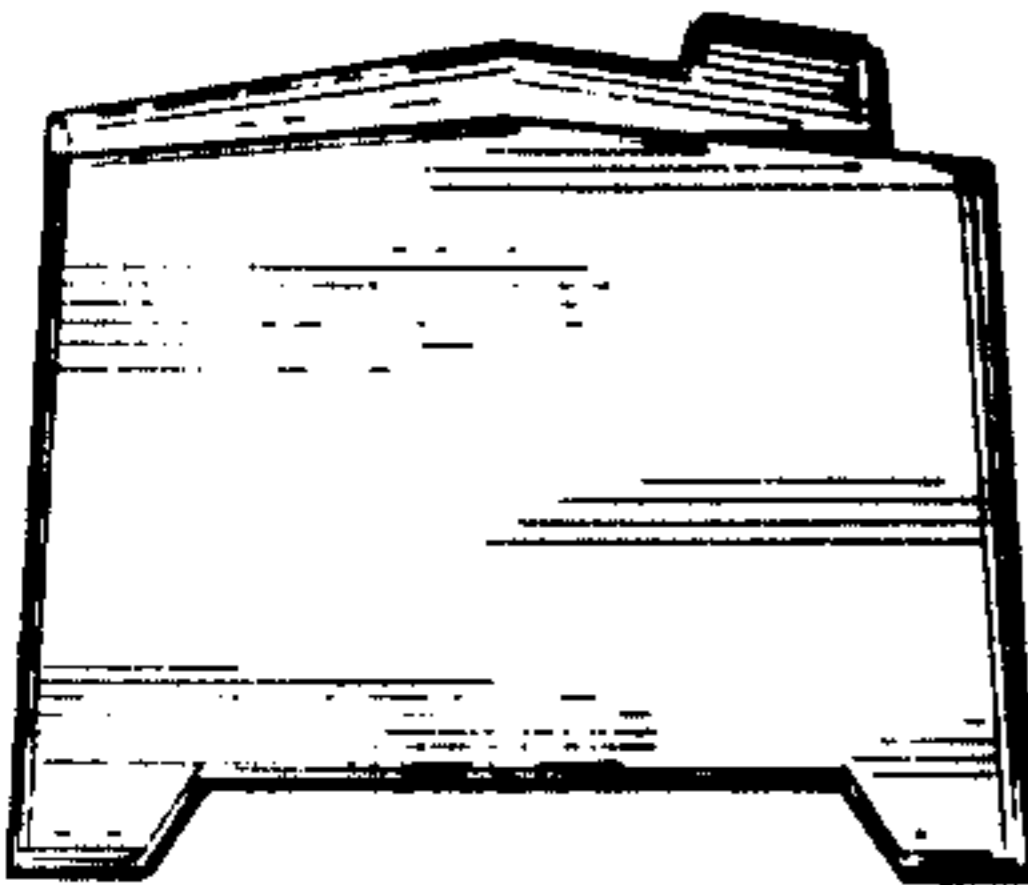


FIG. 2

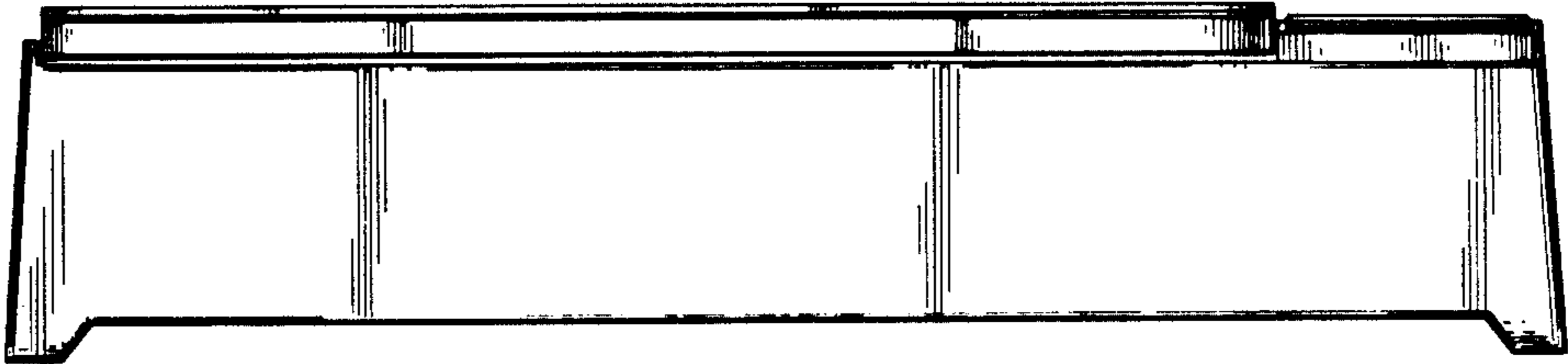


FIG. 3

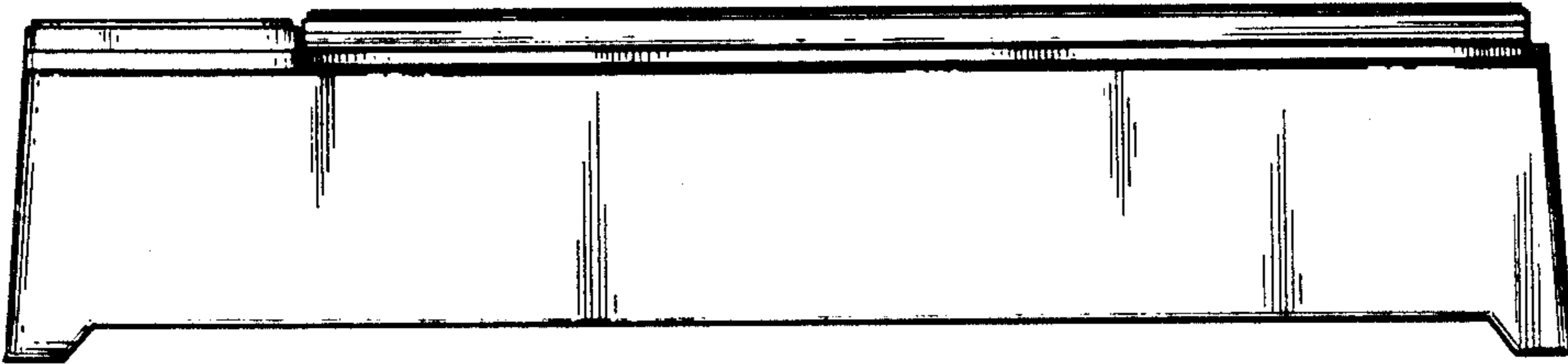


FIG. 4

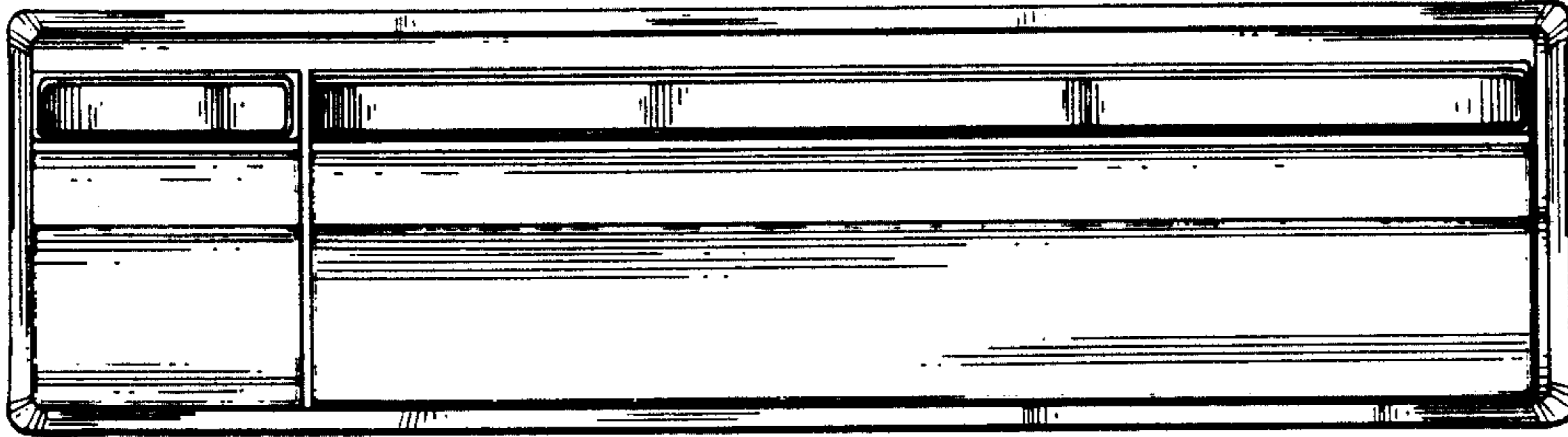


FIG. 5

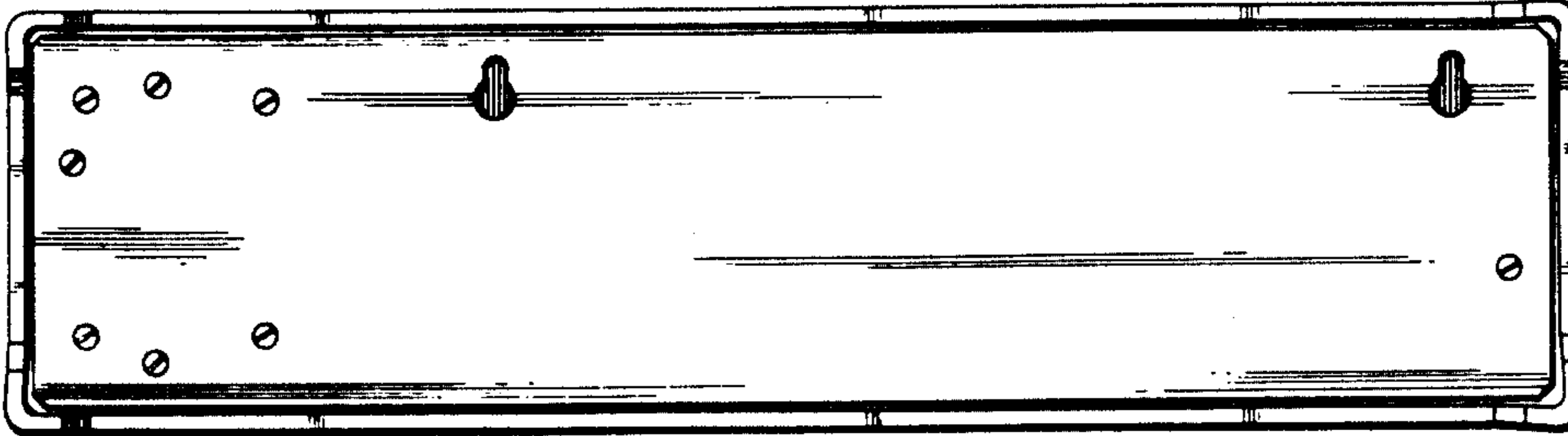


FIG. 6