

[54] RIDING MOWER

[75] Inventors: Larry Monroe Cognata; Keith E. Brightbill, both of Nashville, Tenn.

[73] Assignee: The Murray Ohio Manufacturing Co., Brentwood, Tenn.

[**] Term: 14 Years

[21] Appl. No.: 818,271

[22] Filed: Jul. 21, 1977

Related U.S. Application Data

[63] Continuation of Ser. No. 580,751, May 27, 1975, abandoned.

[51] Int. Cl. D15-03

[52] U.S. Cl. D15/15

[58] Field of Search D15/15, 23; 56/13.4, 56/13.3, 15.8, 16.1, 15.9, DIG. 22; 180/1 F, 89.1

[56] References Cited

U.S. PATENT DOCUMENTS

- D. 226,557 3/1973 Skyer et al. D15/23
- D. 226,558 3/1973 Skyer et al. D15/23
- D. 230,046 1/1974 Manofsky D15/15

OTHER PUBLICATIONS

Hardware Age, 8/74, P33, Murray Lawn Tractor Model 5-3667, bottom right side of page.

Hardware Age, 12/73, P68, Murray Tractor Mower, second box down from top right side of page.

Hardware Age, 8/74 P18, Bolen Lawn Tractor No. HT-20, top right side of page.

Agricultural Machinery Journal Garden Machinery Supplement, 1/74, P.8, Tractor, top center of page.

Primary Examiner—Wallace R. Burke
Assistant Examiner—James M. Gandy
Attorney, Agent, or Firm—Kevin E. Joyce

[57] CLAIM

The ornamental design for a riding mower, substantially as shown and described.

DESCRIPTION

FIG. 1 is a right, front perspective view of a riding mower showing our new design;
FIG. 2 is a right rear perspective view thereof;
FIG. 3 is a left front perspective view thereof;
FIG. 4 is a right, front perspective view of a riding mower showing a second embodiment of our new design, the sole difference being in the configuration of the front grill and headlight panel; and
FIG. 5 is a left front perspective view of FIG. 4.

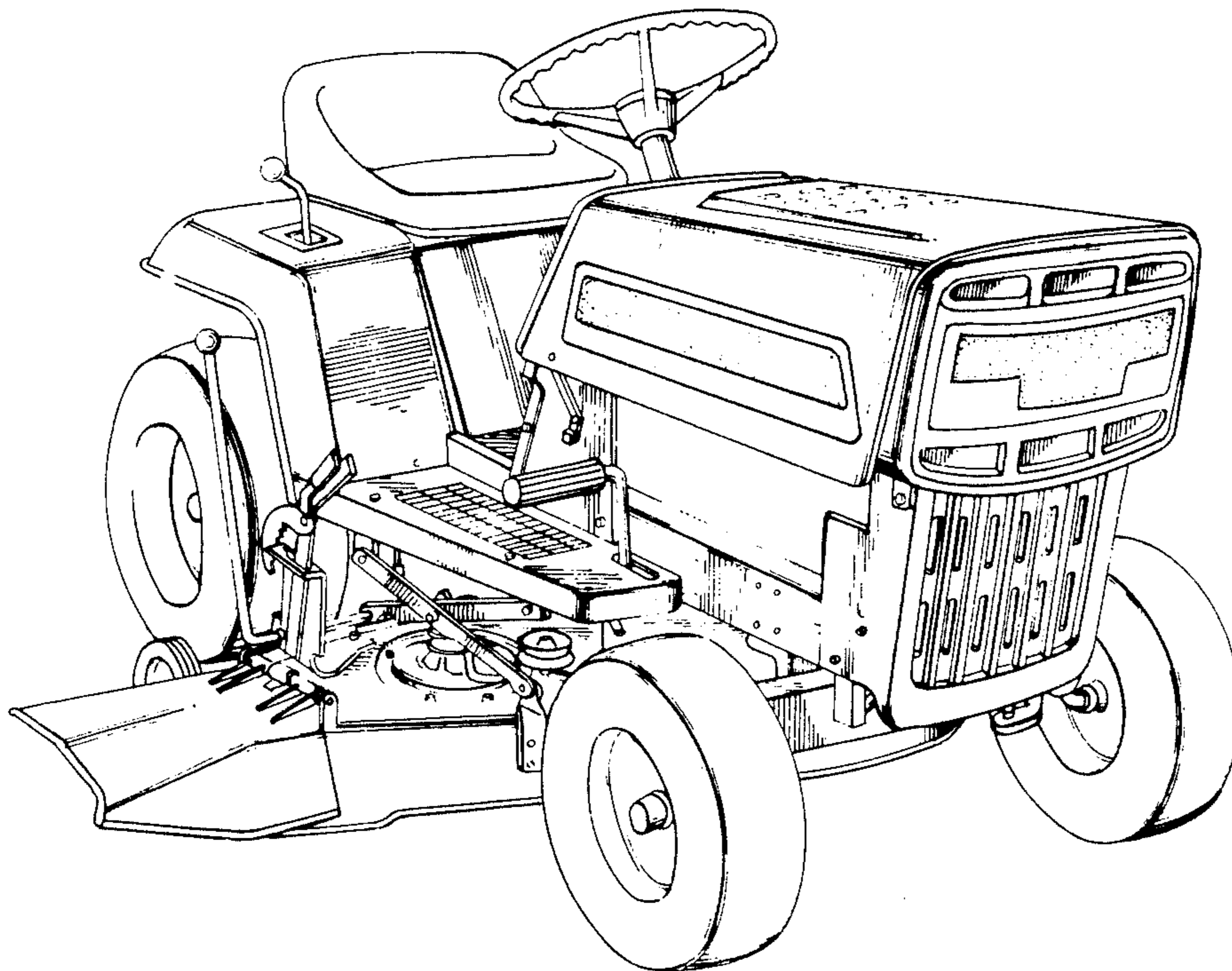
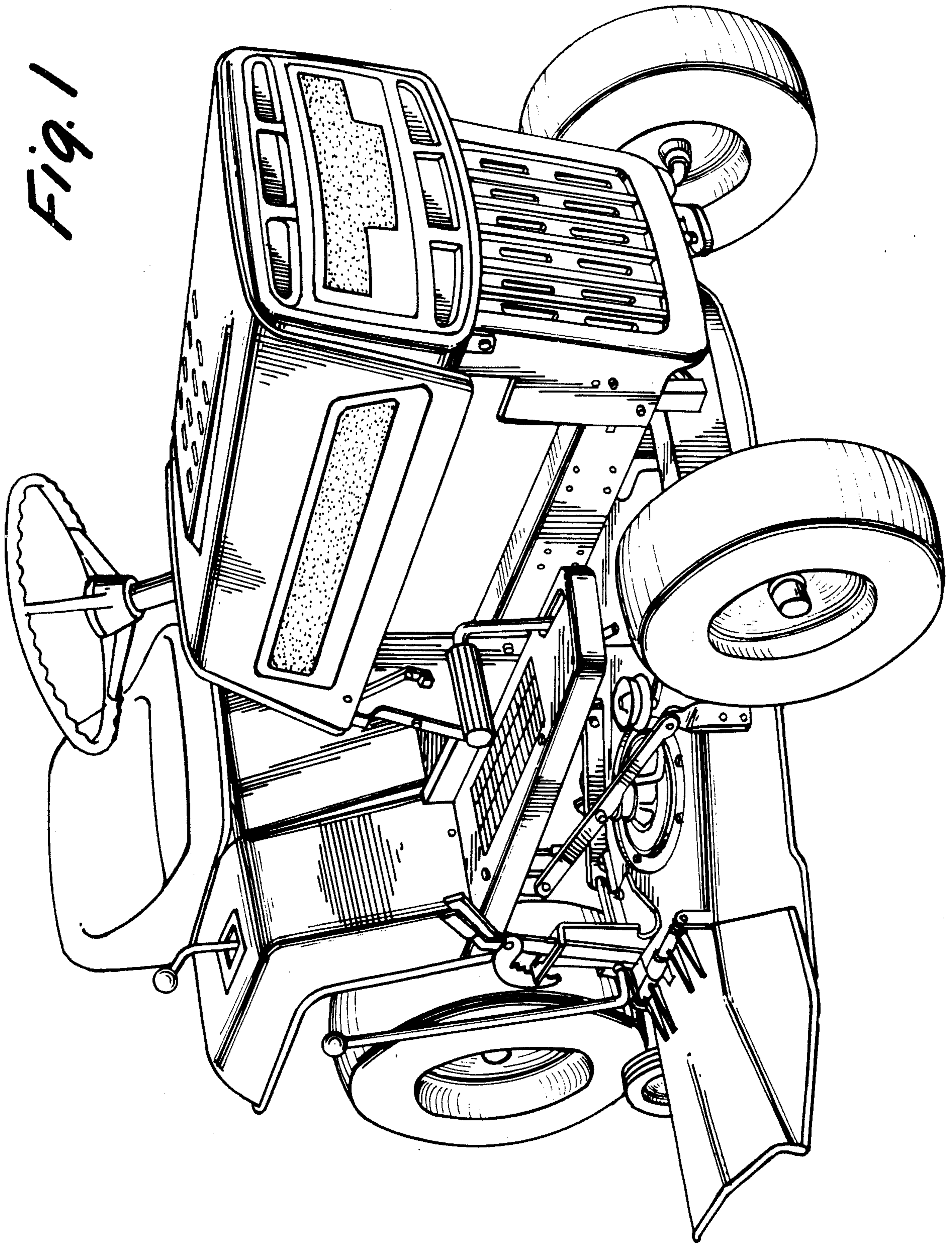


Fig. 1



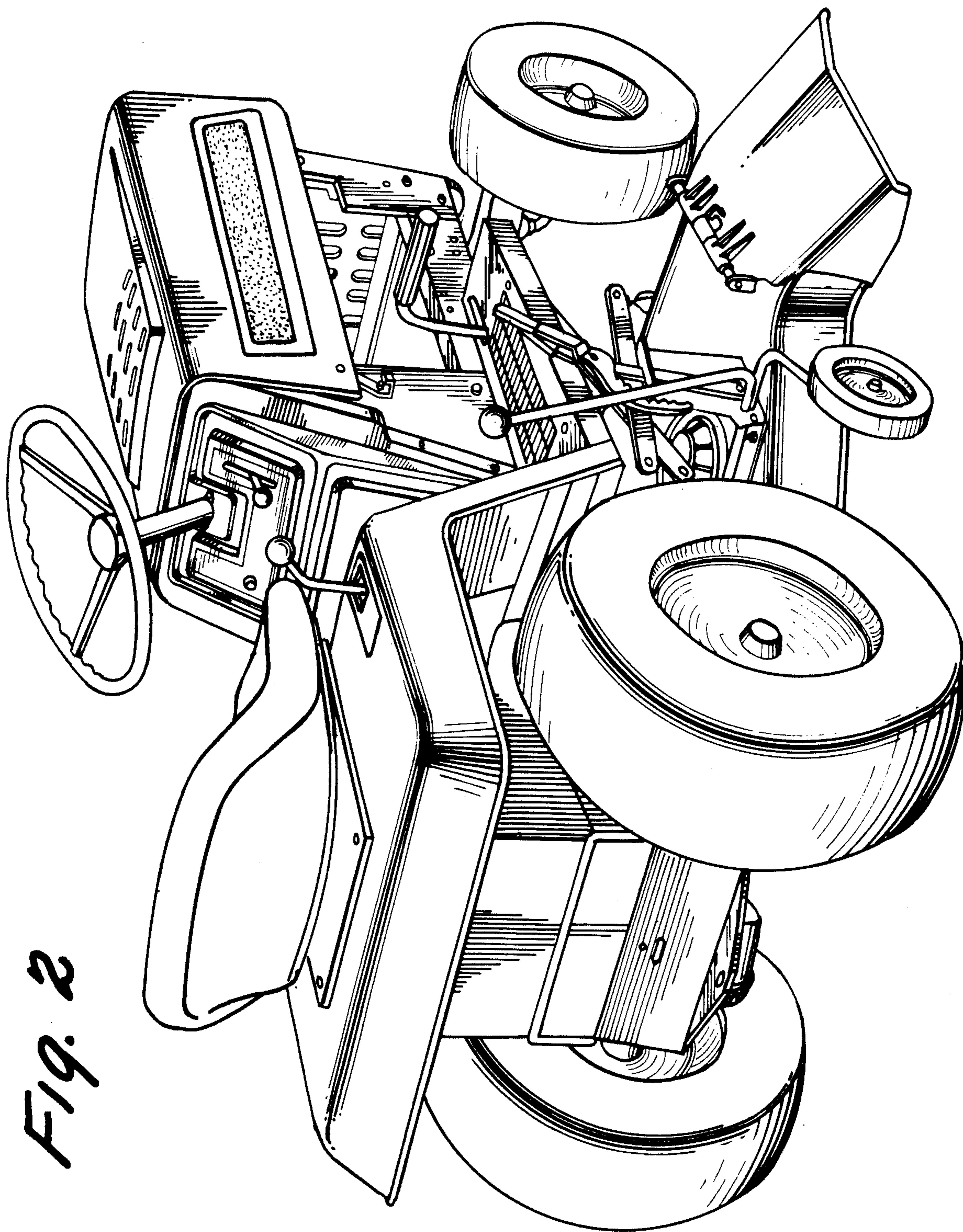


FIG. 2

Fig. 3

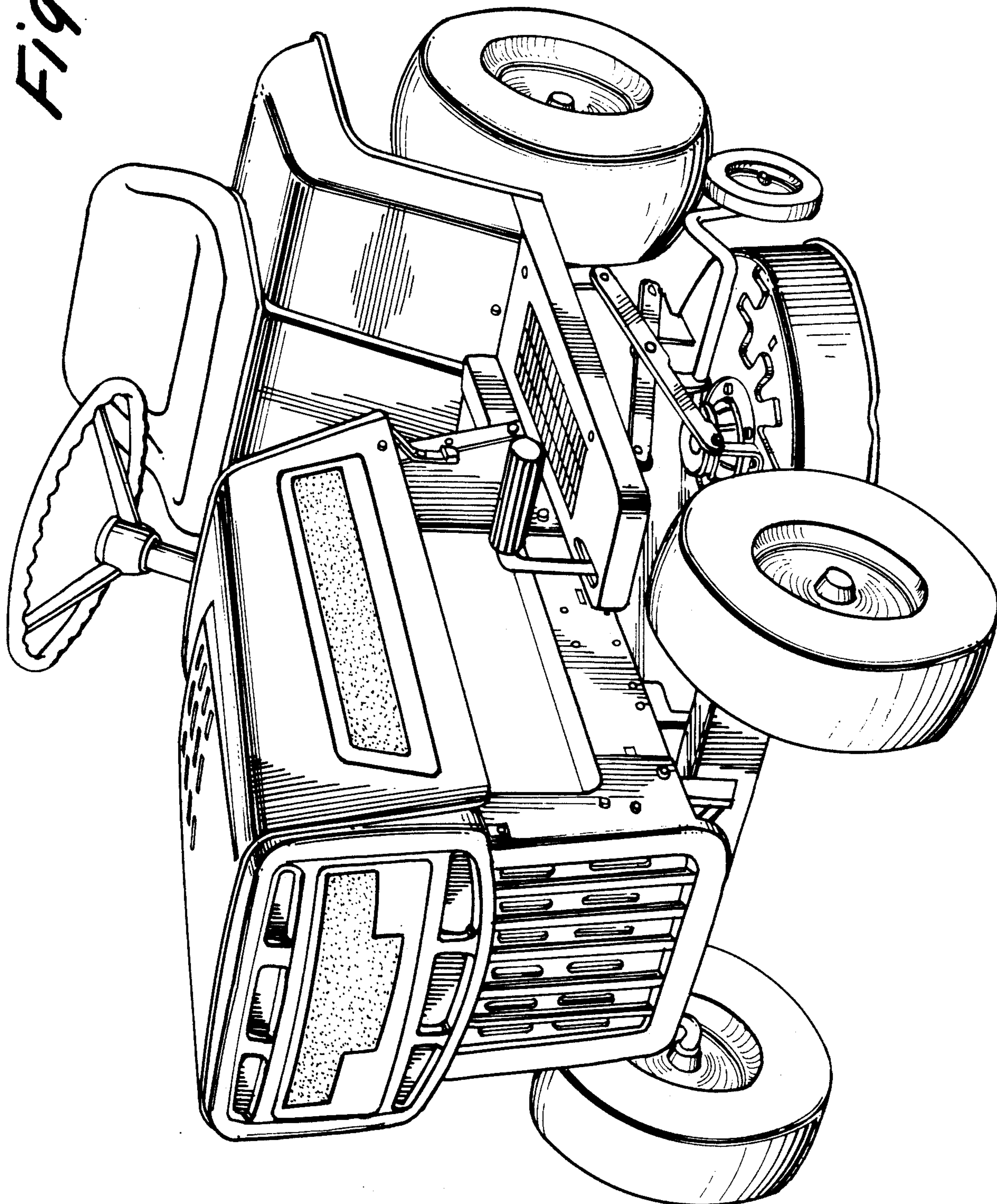
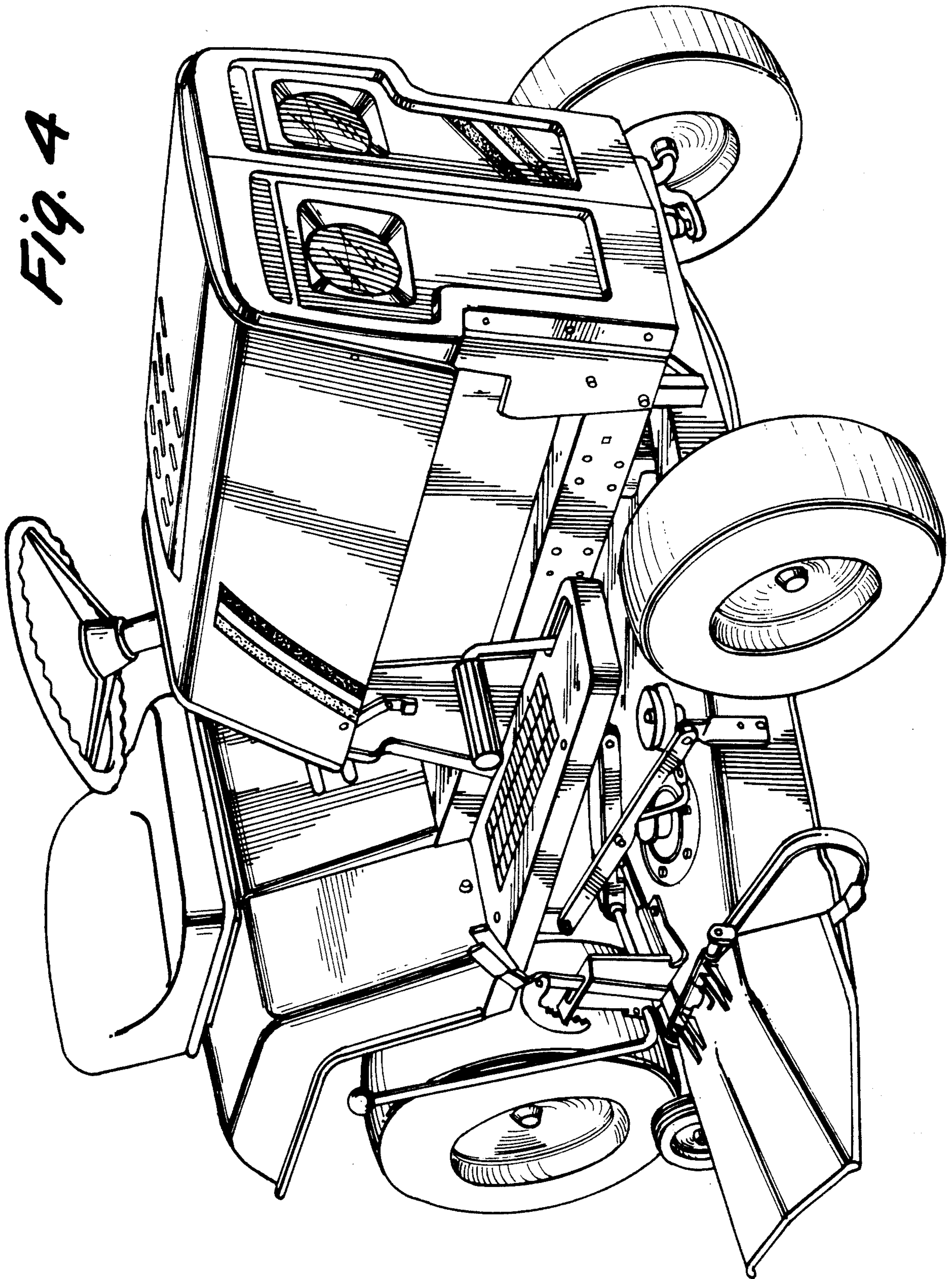


Fig. 4



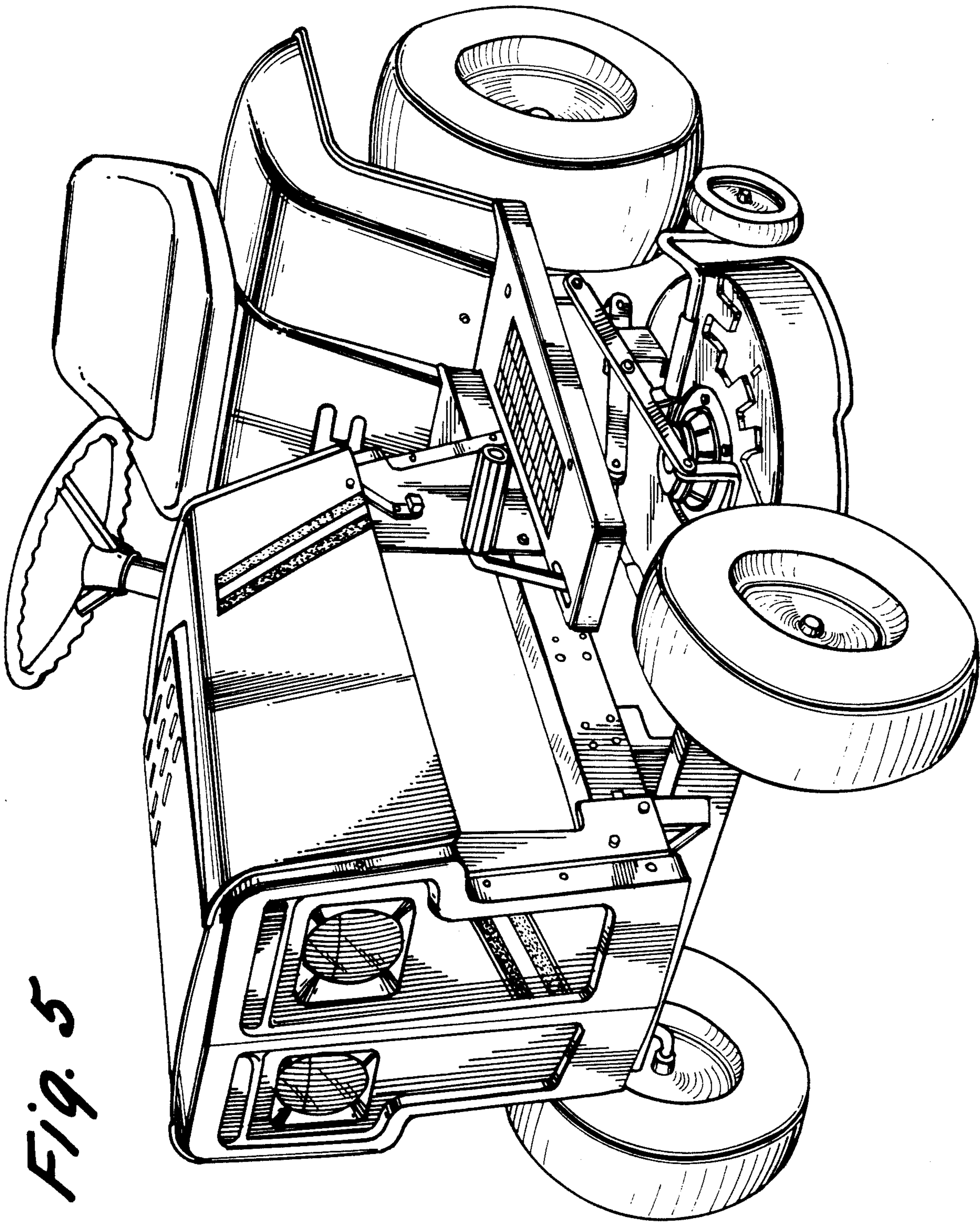


Fig. 5