

[54] **MAGNETIC TAPE REPRODUCER**
 [75] Inventor: **John P. Jenkins, Towanda, Ill.**
 [73] Assignee: **International Tapetronics Corporation, Bloomington, Ill.**
 [**] Term: **14 Years**
 [21] Appl. No.: **675,987**
 [22] Filed: **Apr. 12, 1976**
 [51] Int. Cl. **D14-01**
 [52] U.S. Cl. **D14/8; D14/9**
 [58] Field of Search **D14/8, 9; 242/74, 11 C, 242/11 R; 360/79, 83, 98, 137**

D. 210,952 5/1968 Kyoto et al. D14/8
 D. 215,302 9/1969 Jacobs et al. D14/9

OTHER PUBLICATIONS

Stereo Hi/Fi Directory, 1963, p. 85, Newcomb Professional Recorder, Model #SM-310 B.

Primary Examiner—Bernard Ansher
Attorney, Agent, or Firm—William E. Lucas

[57] **CLAIM**

The ornamental design for a magnetic tape reproducer, substantially as shown and described.

DESCRIPTION

FIG. 1 is a front elevation of a magnetic tape reproducer taken at a reduced scale;
 FIG. 2 is an enlarged rear perspective view thereof;
 FIG. 3 is a top plan view thereof, with the juxtaposed tape reels omitted for clarity of illustration; and
 FIG. 4 is a side elevation thereof.

[56] **References Cited**
U.S. PATENT DOCUMENTS
 D. 162,991 4/1951 Roos et al. D14/8
 D. 200,579 3/1965 Farey D14/8

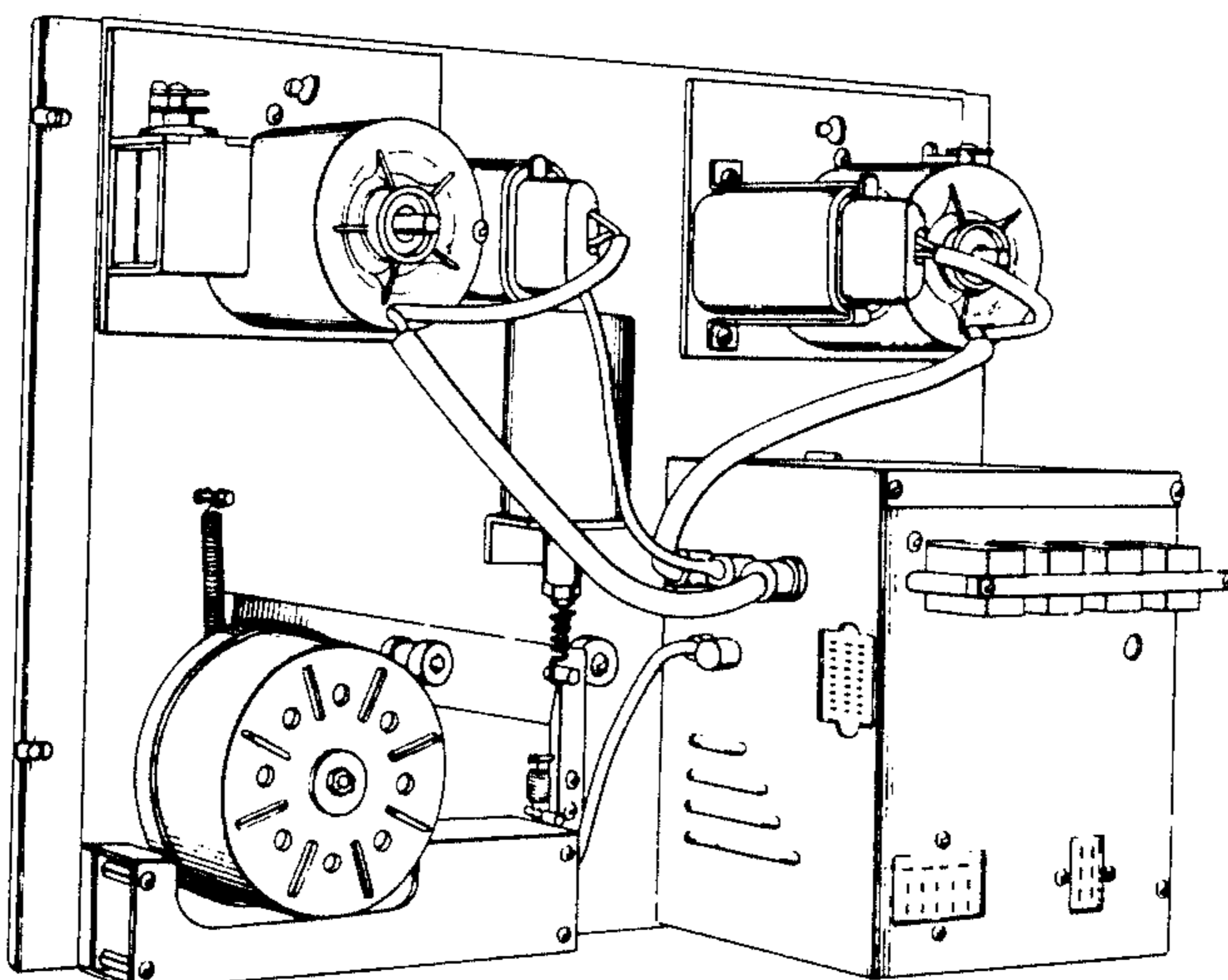
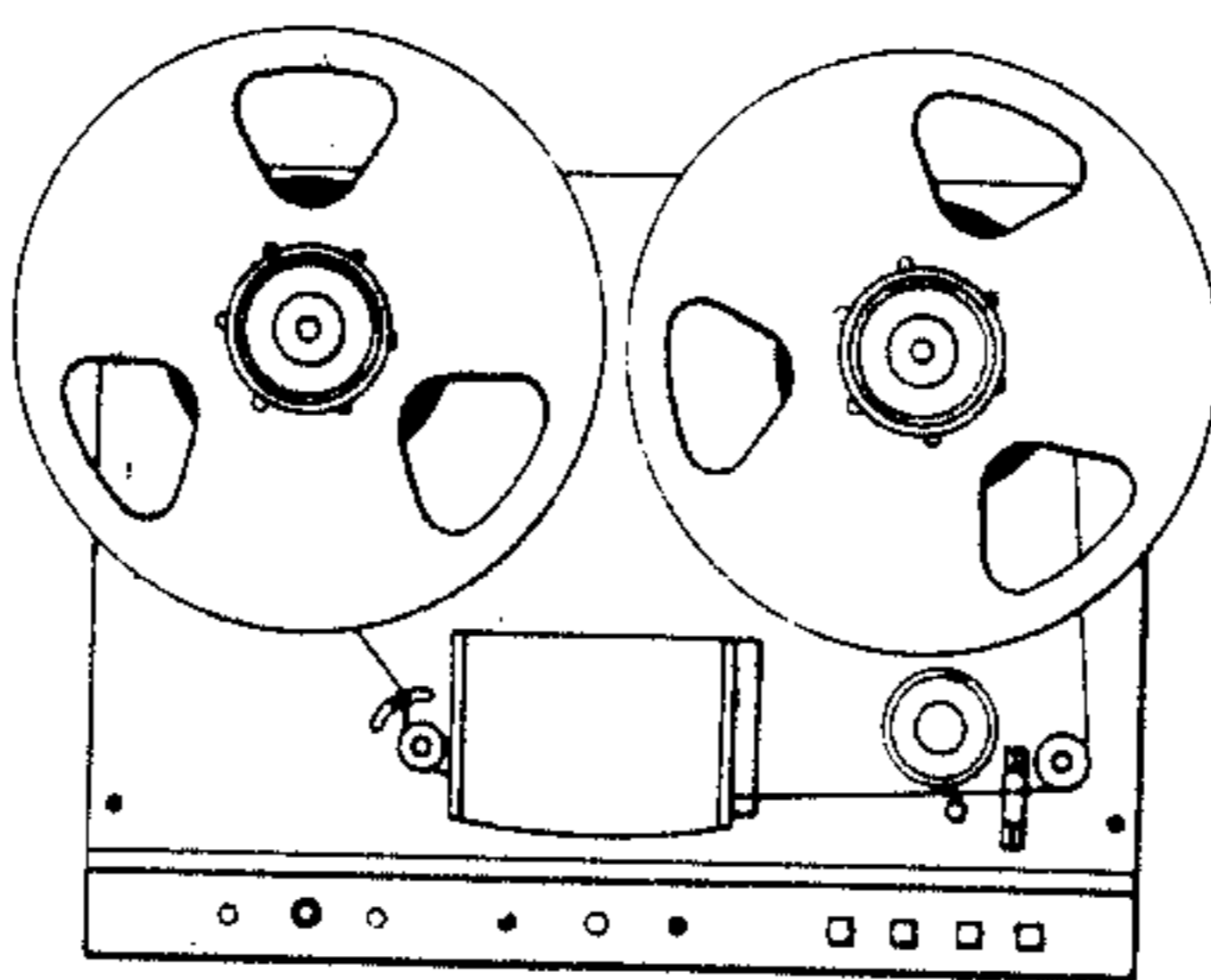


Fig. 1.

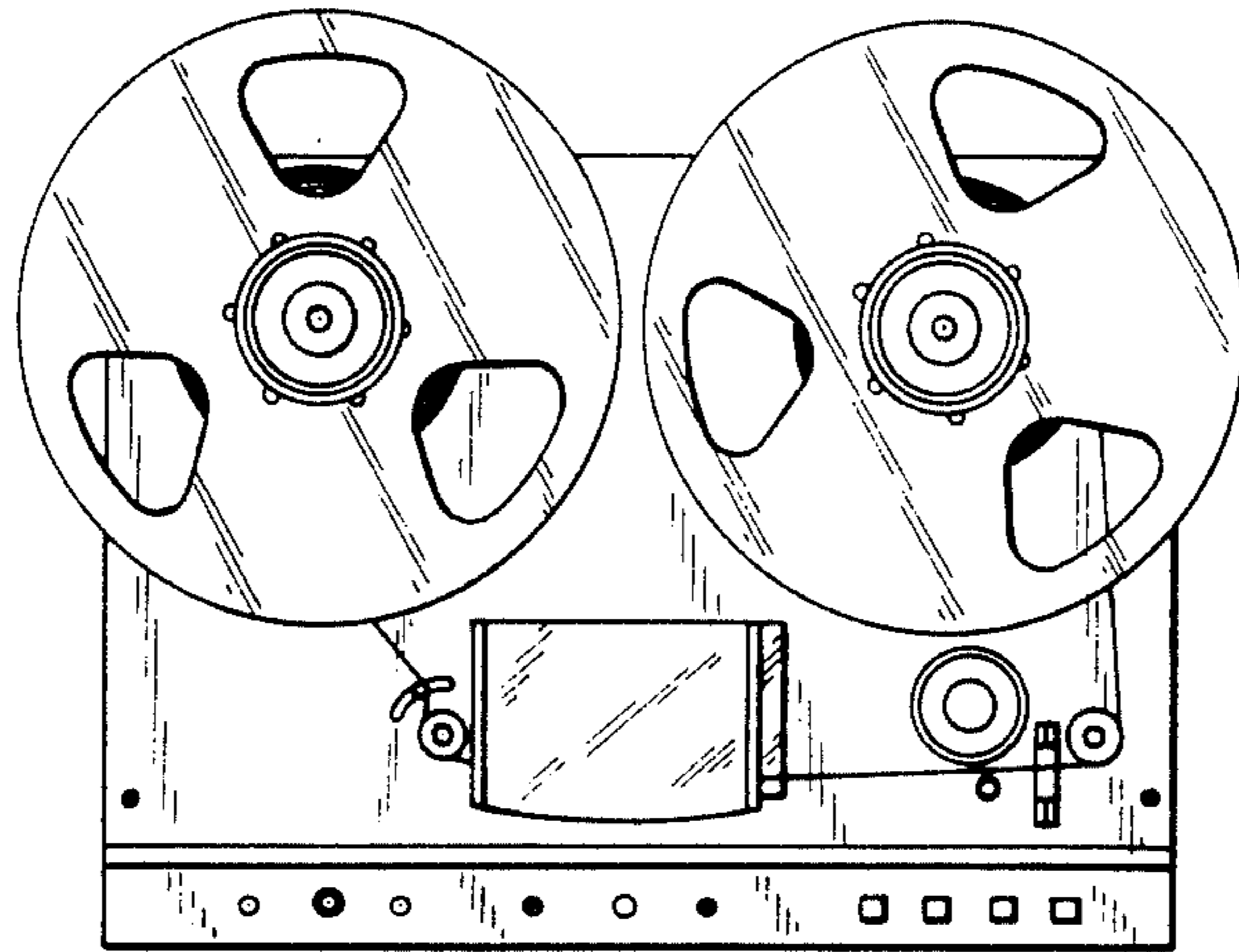


Fig. 2.

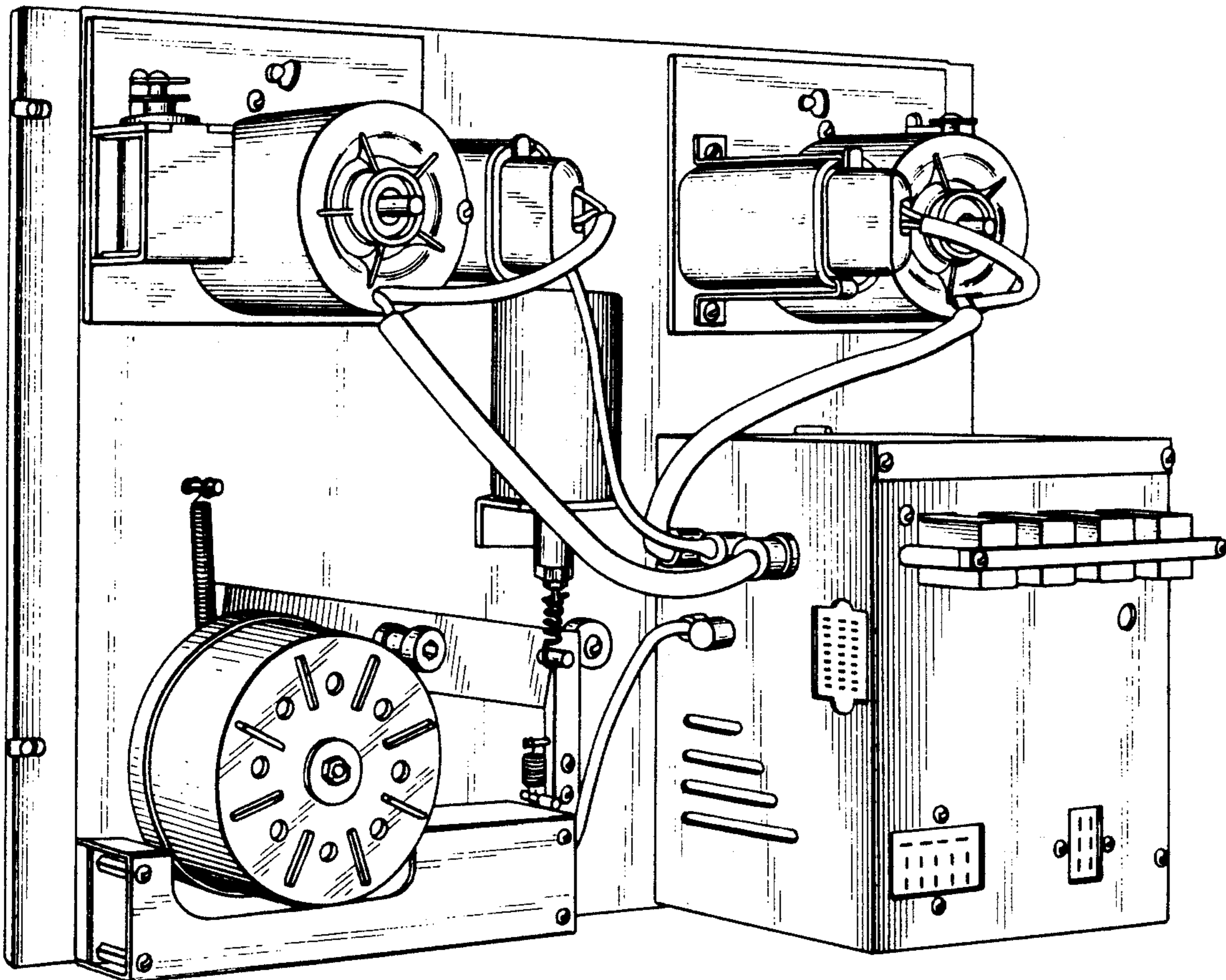


Fig. 3.

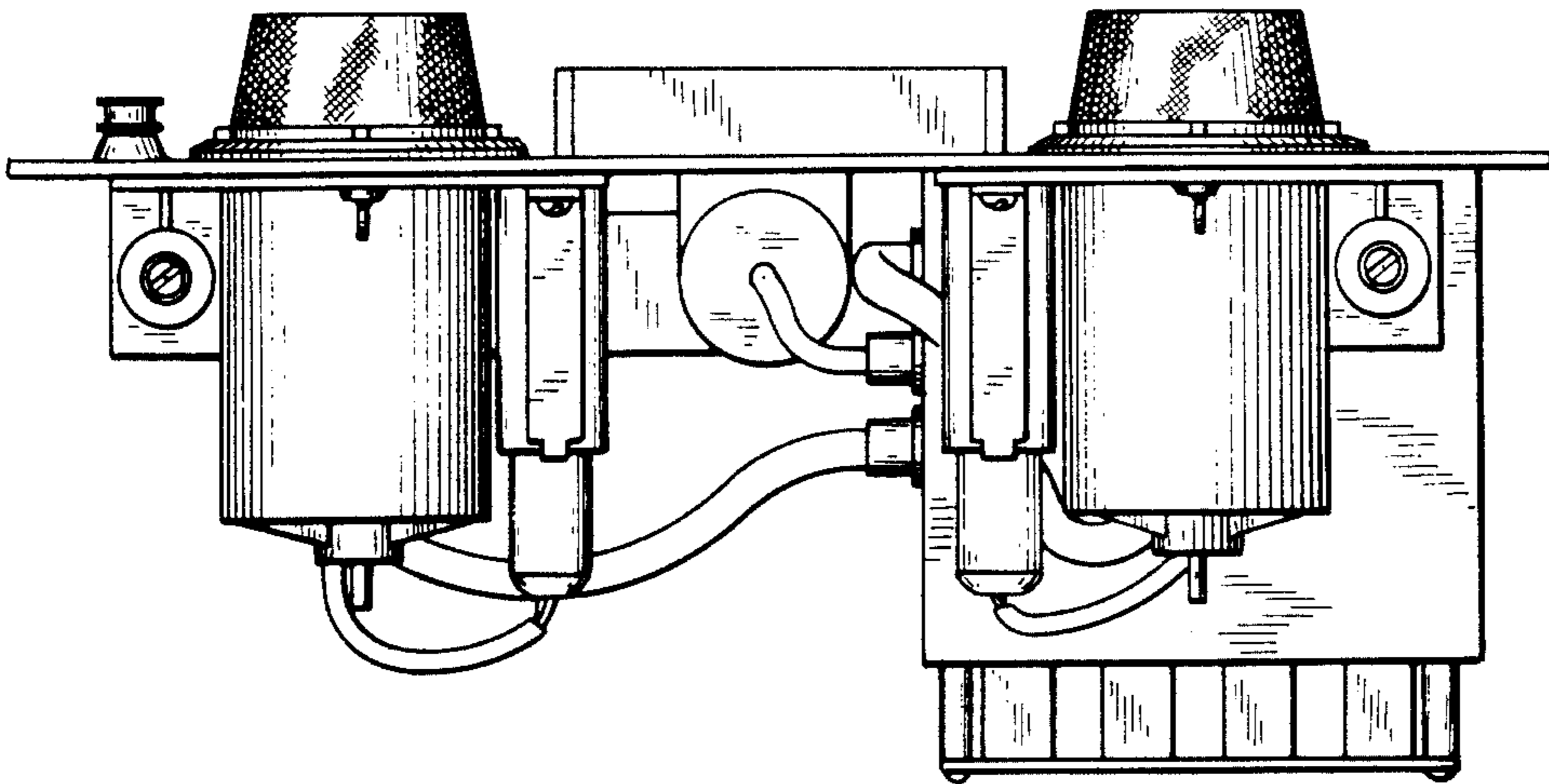


Fig. 4.

