

[54] MOTORCYCLE WHEEL

[75] Inventor: Thomas J. Lester, Aurora, Ohio

[73] Assignee: The Lester Tire Company

[**] Term: 14 Years

[21] Appl. No.: 737,413

[22] Filed: Nov. 1, 1976

Related U.S. Application Data

[63] Continuation-in-part of Ser. No. 617,827, Sep. 29, 1975, abandoned.

[51] Int. Cl. D12-11

[52] U.S. Cl. D12/205

[58] Field of Search D12/205, 208, 209-211; 301/63 R, 63 PW, 64 R, 64 SD, 65, 66, 73, 74, 79, 86, 56, 58, 59

[56] References Cited

U.S. PATENT DOCUMENTS

D. 45,810 5/1914 Kettler D12/208

D. 232,717	9/1974	Morris	D12/205
D. 243,169	1/1977	Suzuki et al.	D12/205
1,201,926	10/1916	Blackwood	301/65
1,826,815	10/1931	O'Connor	D12/205
3,709,561	1/1973	De Biasse et al.	301/65

OTHER PUBLICATIONS

Cycle World, 5/71, P88, Wheel, bottom of page.

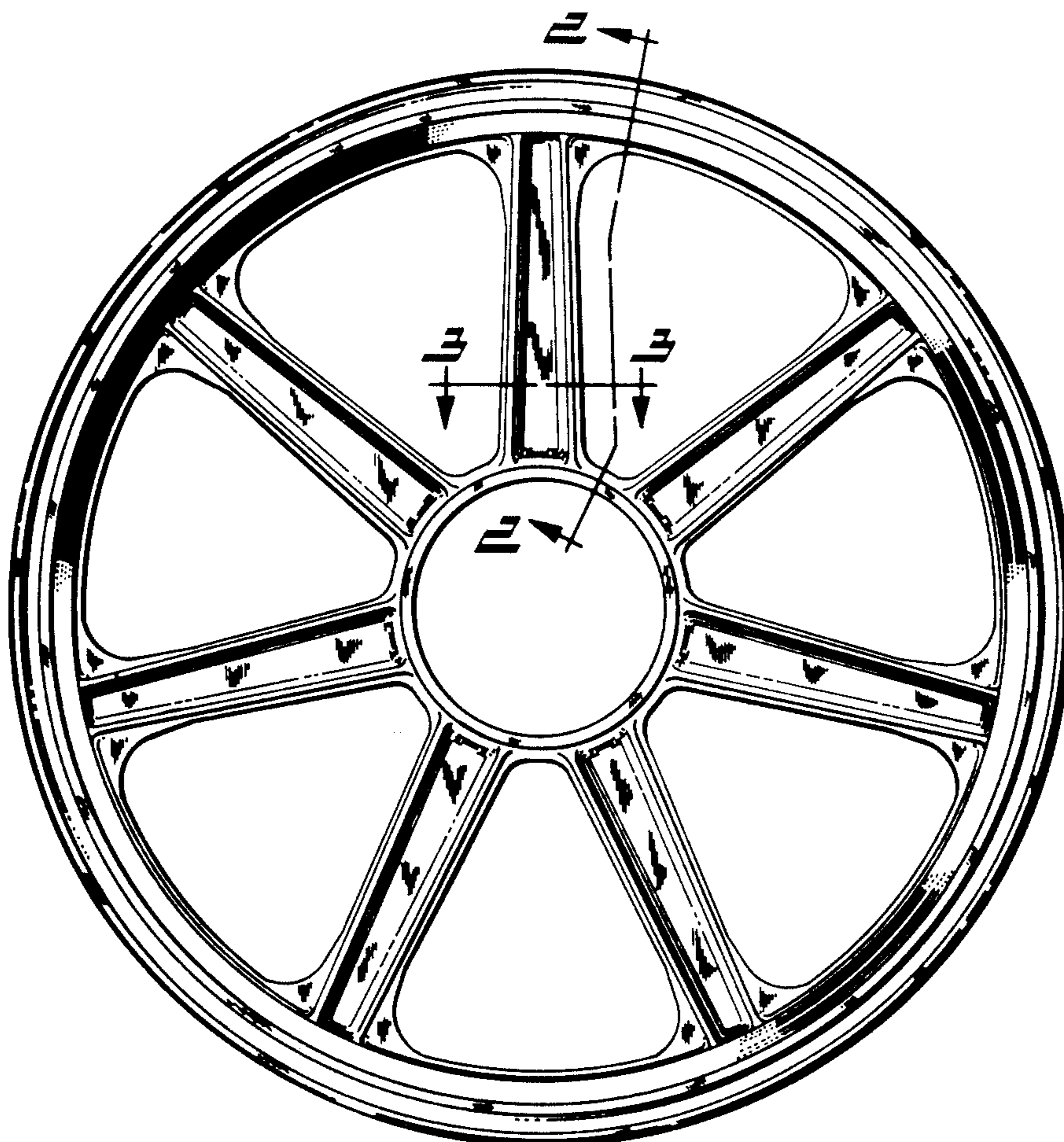
Primary Examiner—Wallace R. Burke
Assistant Examiner—James M. Gandy
Attorney, Agent, or Firm—Walter Maky

[57] CLAIM

The ornamental design for a motorcycle wheel, as shown and described.

DESCRIPTION

FIG. 1 is a side elevation view of a motorcycle wheel showing my new design, the opposite side being a mirror image of the side shown herein; FIG. 2 is a cross-section view taken along line 2—2, in FIG. 1; and FIG. 3 is a cross-section view on an enlarged scale taken along line 3—3, in FIG. 1.



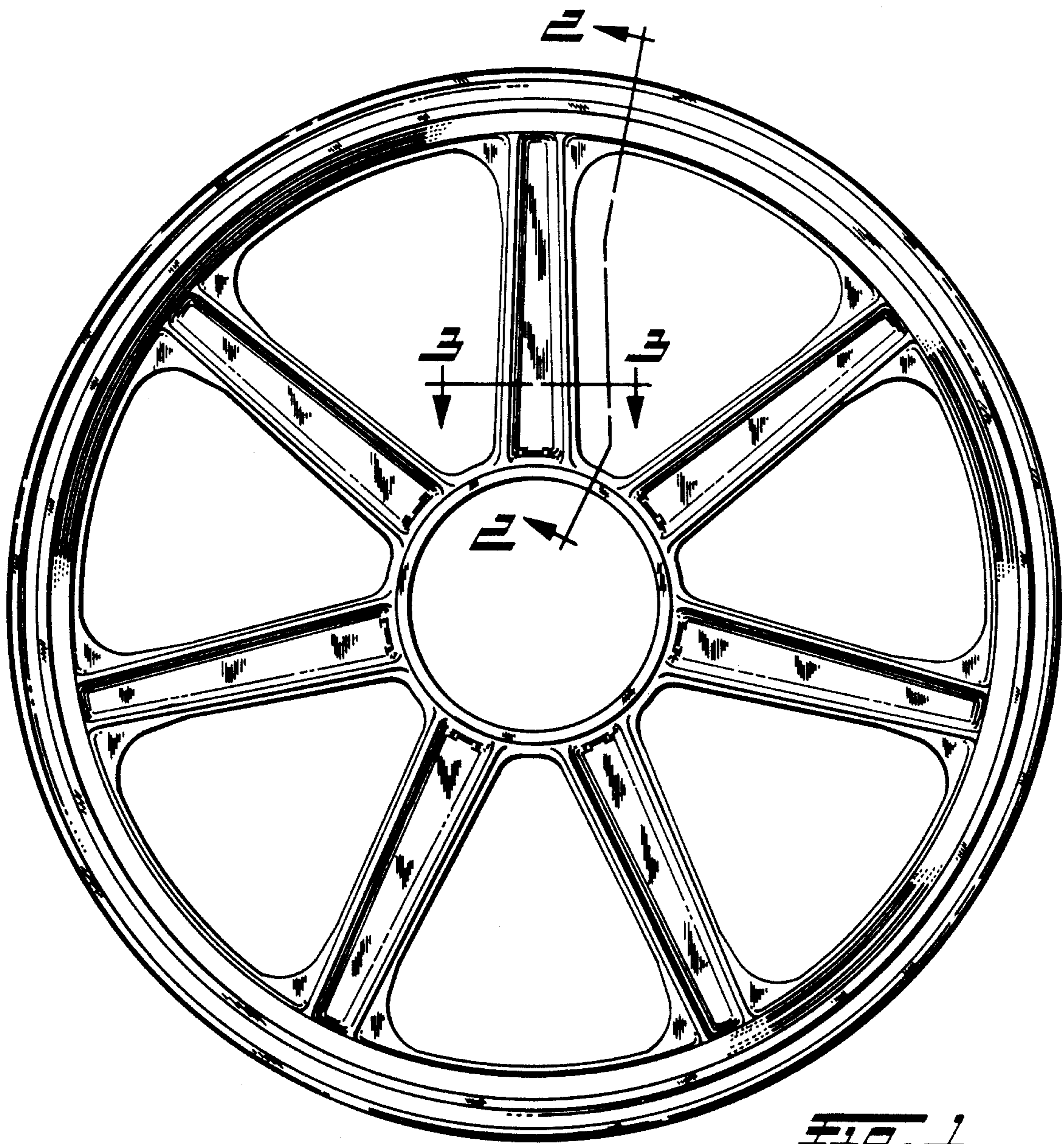


FIG. 1

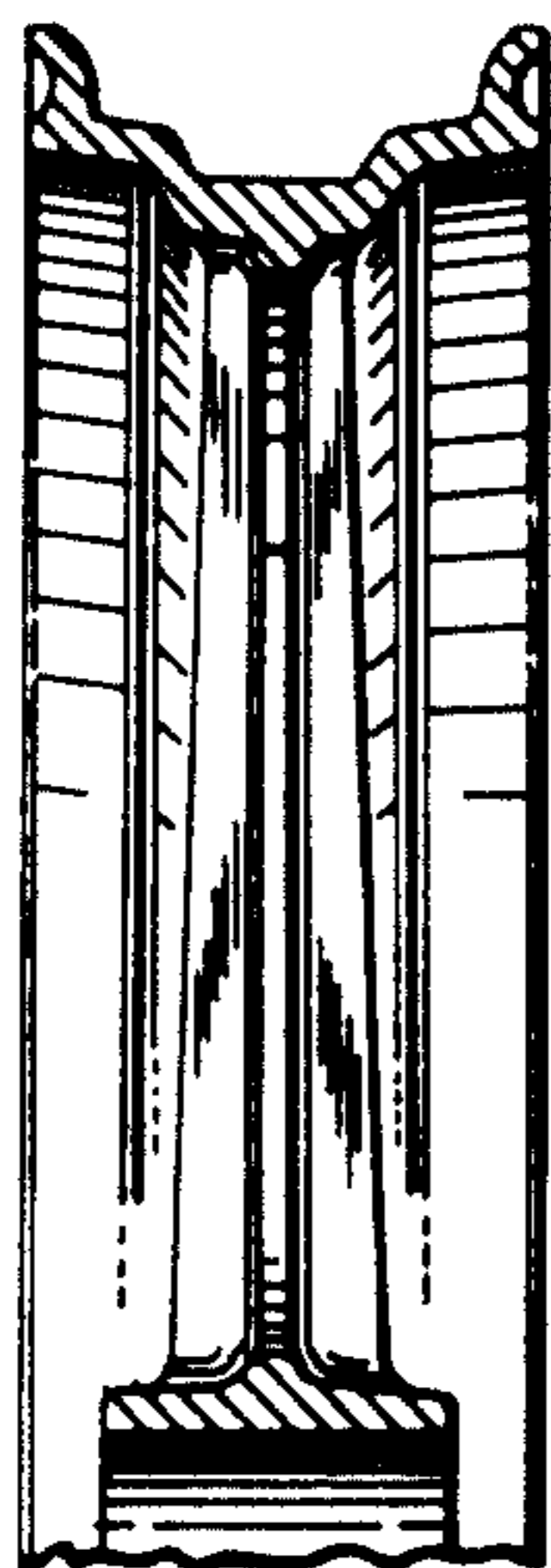


FIG. 2

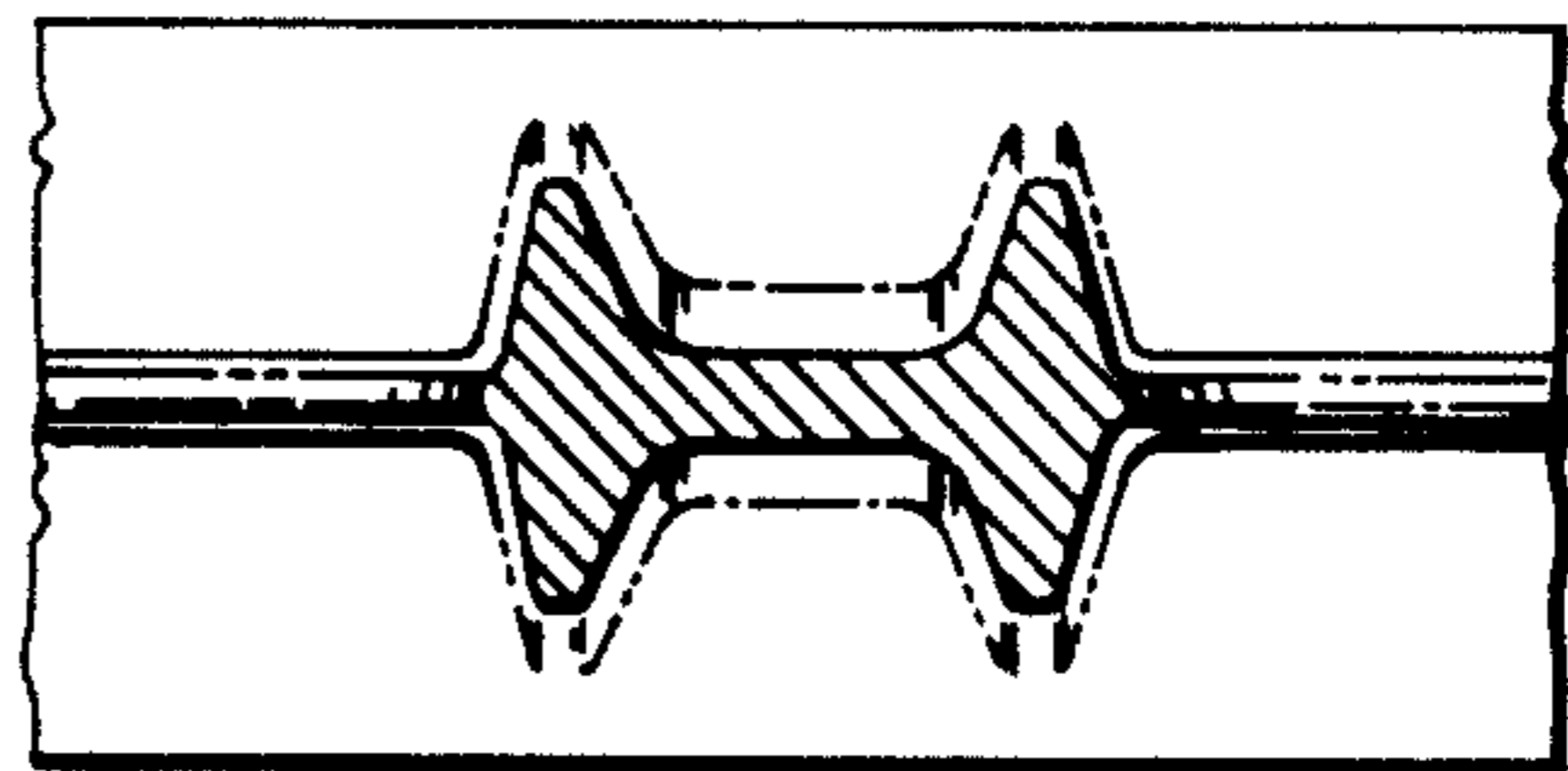


FIG. 3