

[54] WIPER BLADE FOR A WINDSHIELD WIPER

3,638,274 2/1972 Farver 15/250.42

[76] Inventor: David Joe Hughes, 26B Shadowood, Granbury, Tex. 76048

Primary Examiner—Wallace R. Burke
Assistant Examiner—James M. Gandy
Attorney, Agent, or Firm—Wm. T. Wofford

[**] Term: 14 Years

[21] Appl. No.: 807,033

[57] CLAIM

[22] Filed: Jun. 16, 1977

The ornamental design for a wiper blade for a windshield wiper, as shown.

[51] Int. Cl. D12-16

[52] U.S. Cl. D12/155

[58] Field of Search D12/155; 15/250.4, 250.41, 15/250.42, 250.36

DESCRIPTION

FIG. 1 is an end elevational view of a wiper blade for a windshield wiper showing my new design;

FIG. 2 is a bottom perspective view thereof on a reduced scale;

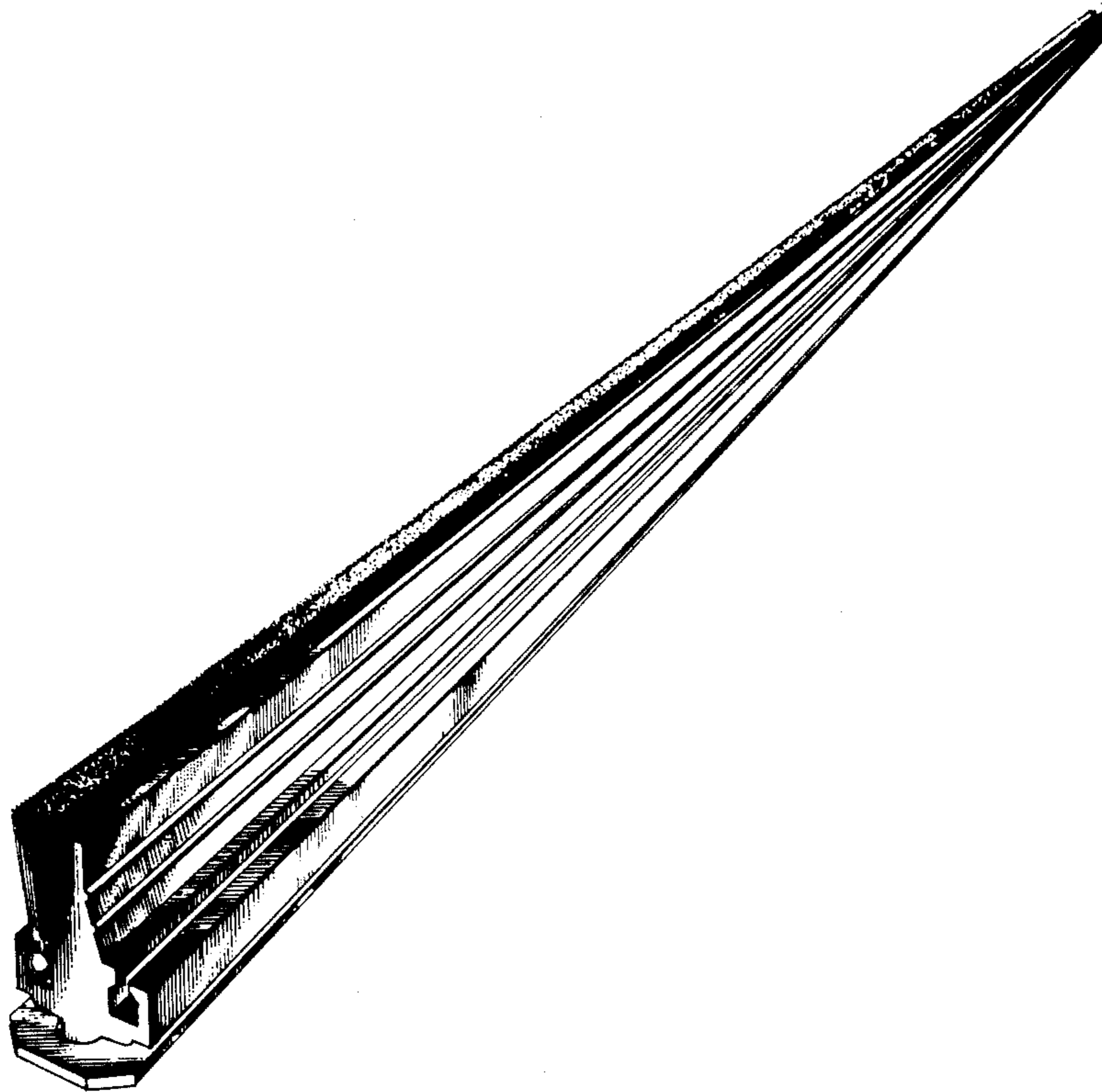
FIG. 3 is a bottom perspective view thereof on a reduced scale showing the end opposite to that in FIG. 2; and

FIG. 4 is a top plan view thereof on a greatly reduced scale.

[56] References Cited

U.S. PATENT DOCUMENTS

2,273,817	2/1942	Chellew	15/250.41
3,056,991	10/1962	Smithers	15/250.41
3,224,027	12/1965	Oishei et al.	15/250.41



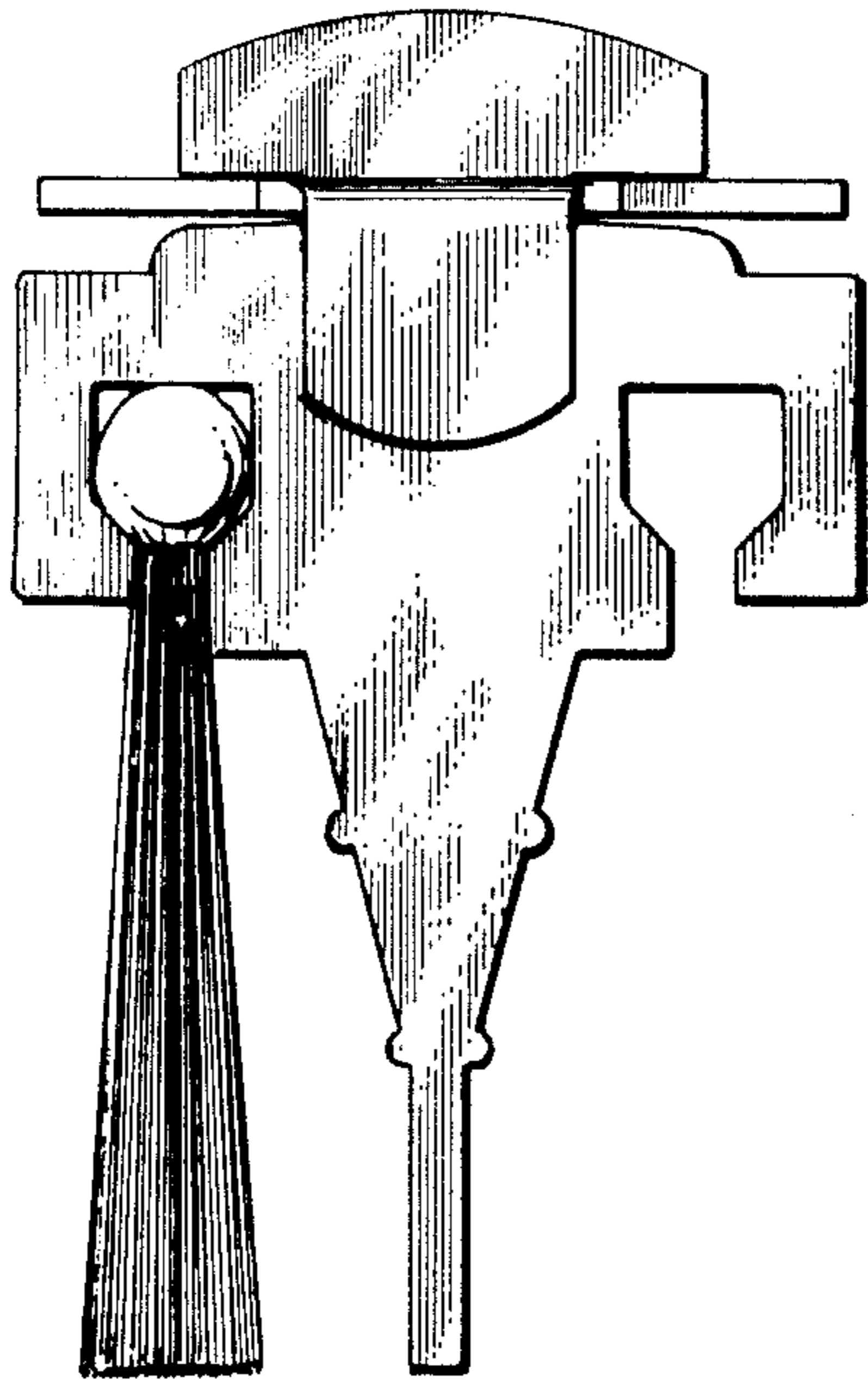


Fig. 1

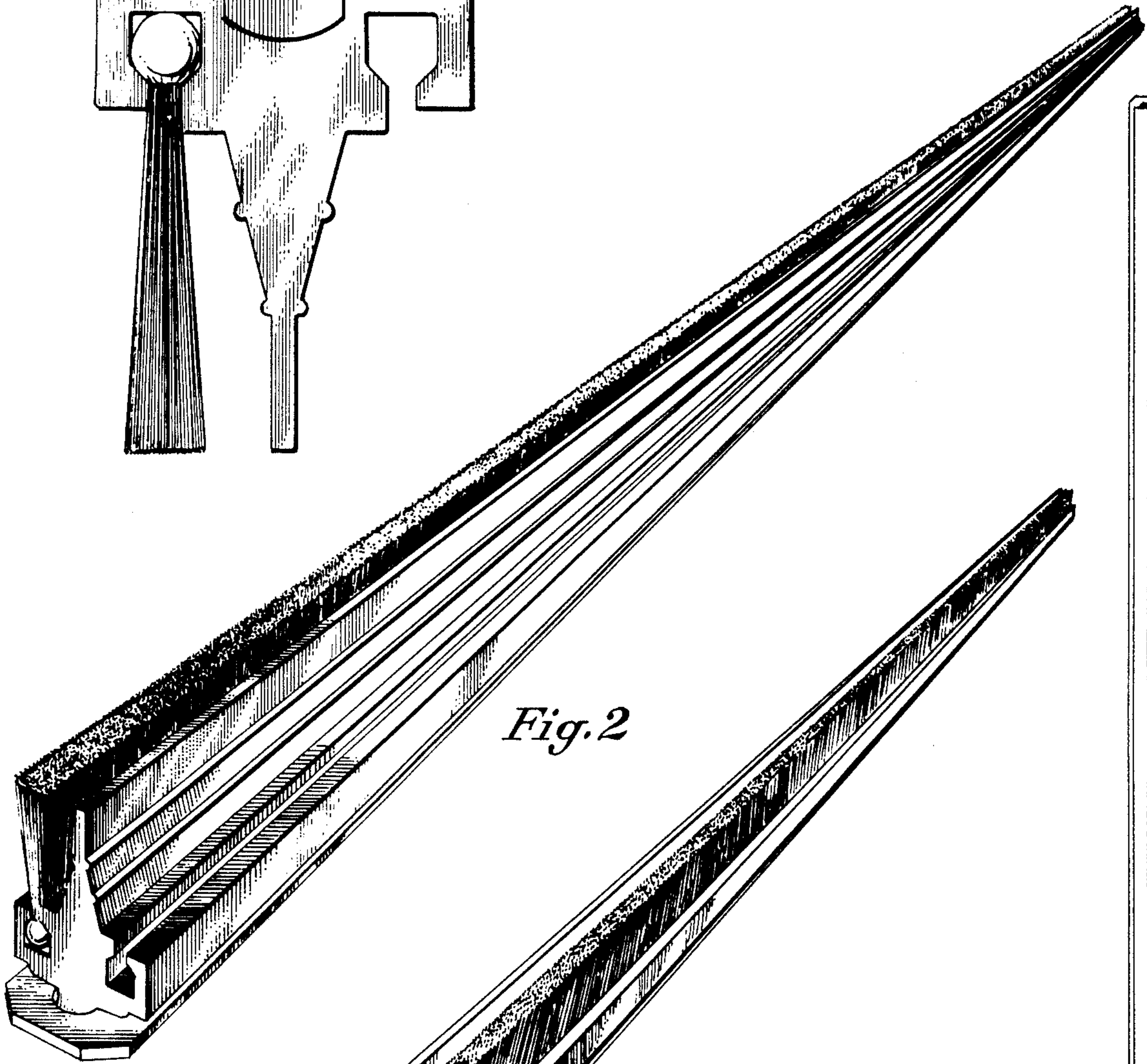


Fig. 2

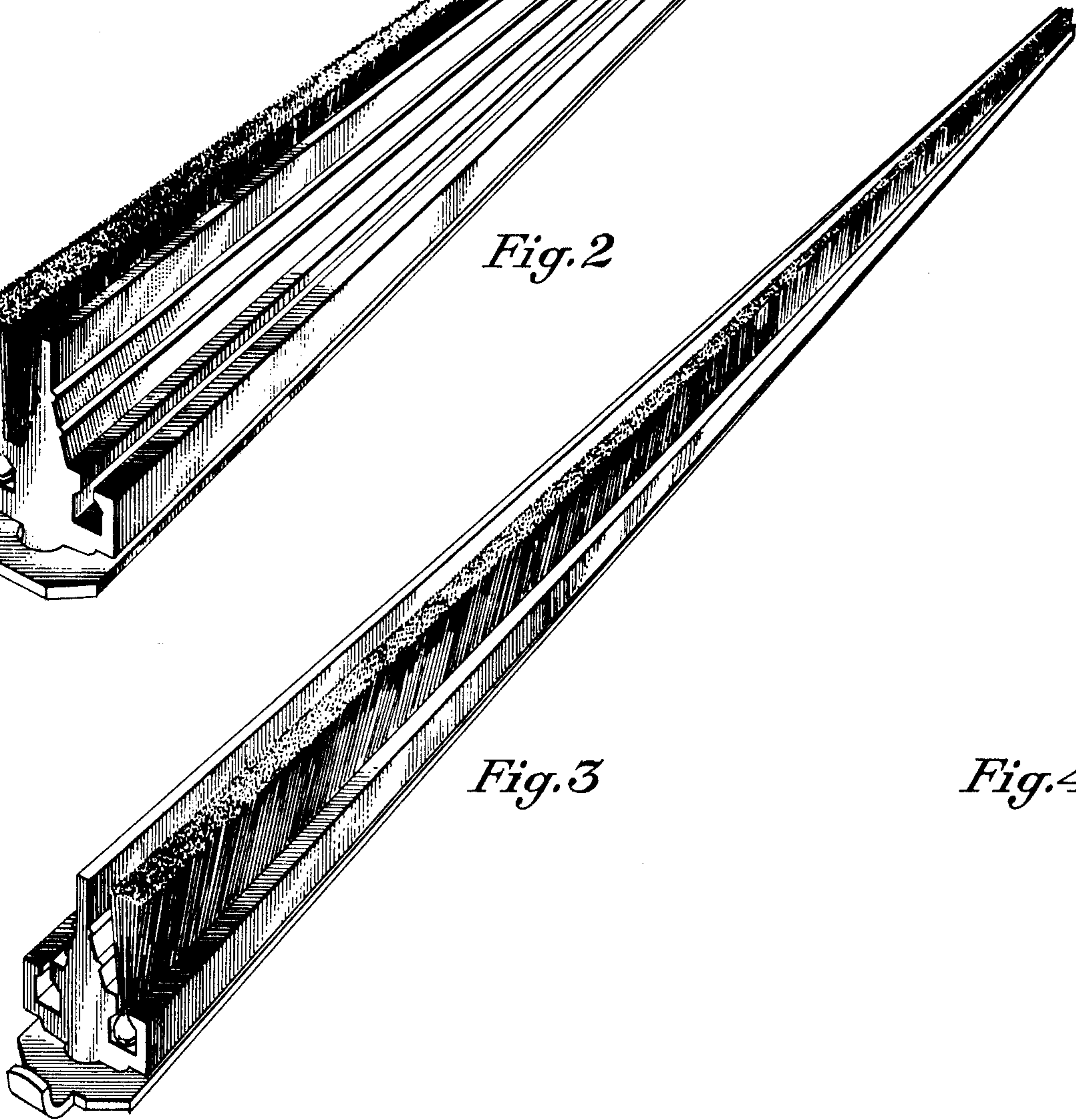


Fig. 3

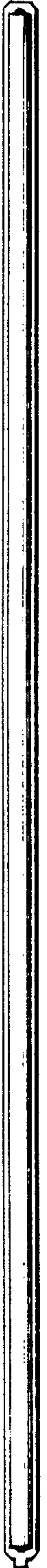


Fig. 4