

[54] PICKUP TRUCK LINER

[76] Inventor: Irvin V. Hefner, 1429 Huron Ave., Metairie, La. 70121

[*] Notice: The portion of the term of this patent subsequent to Aug. 12, 1989, has been disclaimed.

[**] Term: 14 Years

[21] Appl. No.: 690,643

[22] Filed: May 27, 1976

[51] Int. Cl. D12-16

[52] U.S. Cl. D12/98; D12/156

[58] Field of Search D12/156, 98; 296/39 R, 296/24 R, 37.6, 37.1

[56] References Cited

U.S. PATENT DOCUMENTS

D. 224,219	7/1972	Ritter	D12/98
D. 236,259	8/1975	Hefner	D12/156
3,727,991	4/1973	Sisler	296/37.6
3,814,473	6/1974	Lorenzen, Jr.	D12/98
3,826,529	7/1974	Wood	296/24 R

FOREIGN PATENT DOCUMENTS

694,184	9/1964	Canada	296/24 R
---------	--------	--------	-------	----------

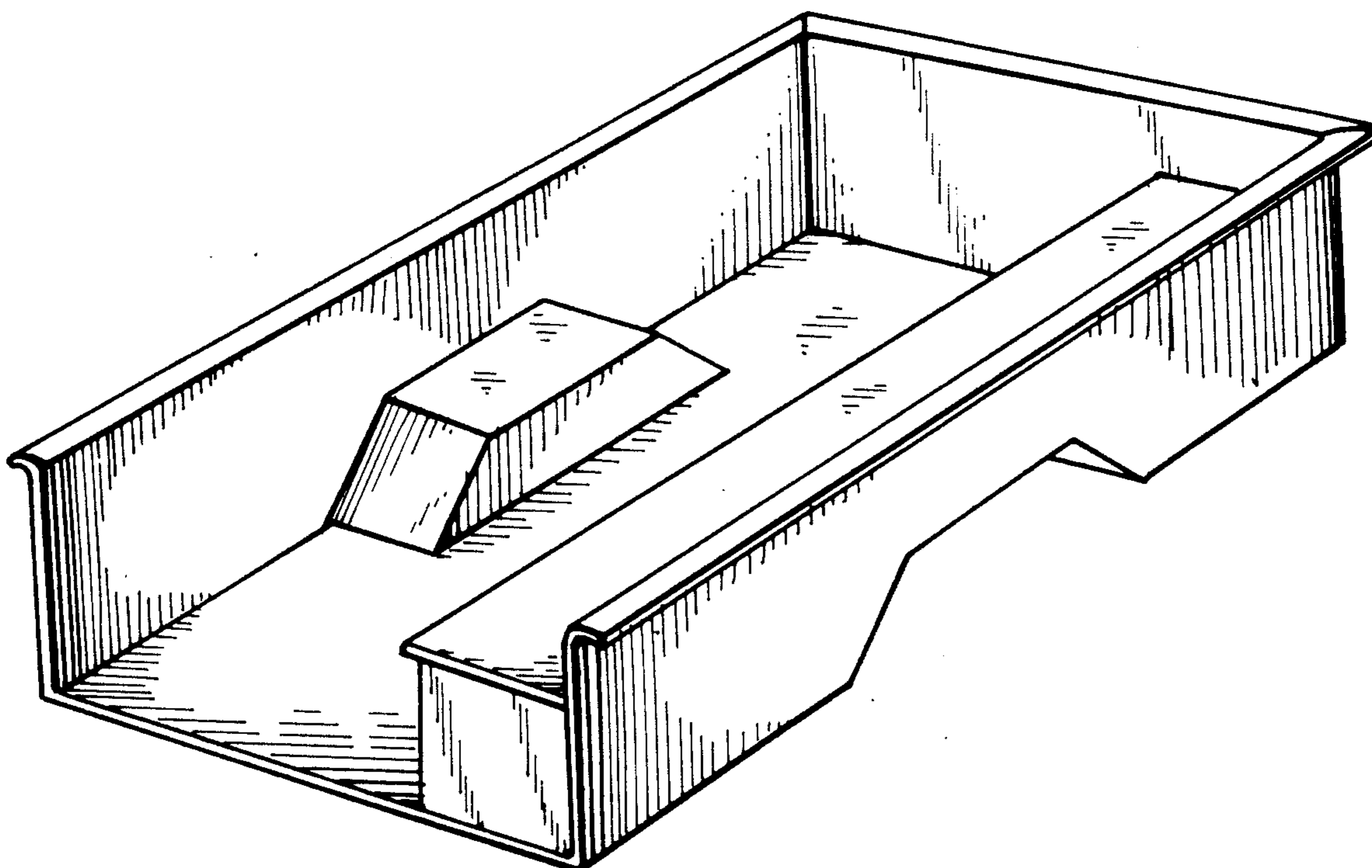
Primary Examiner—Wallace R. Burke
Assistant Examiner—James M. Gandy
Attorney, Agent, or Firm—C. Emmett Pugh

[57] CLAIM

The ornamental design for the pickup truck liner, as shown and described.

DESCRIPTION

FIG. 1 is a top, rear and side perspective view of a pickup truck liner showing my new design;
FIG. 2 is a top, plan view thereof;
FIG. 3 is a rear elevational view thereof;
FIG. 4 is a top, rear and side perspective view of a pickup truck liner showing a second embodiment of my new design;
FIG. 5 is a top, plan view of FIG. 4;
FIG. 6 is a rear elevational view of FIG. 4;
FIG. 7 is a top, rear and side perspective view of a pickup truck liner showing a third embodiment of my new design;
FIG. 8 is a top, plan view of FIG. 7;
FIG. 9 is a rear, elevational view of FIG. 7; and
FIG. 10 is a front, elevational view of the embodiments shown in FIGS. 1, 4 and 7.
The side of the pickup truck liner opposite to those shown in each of FIGS. 1, 4 and 7 is a mirror image thereof, and the bottom is substantially flat and unornamented.



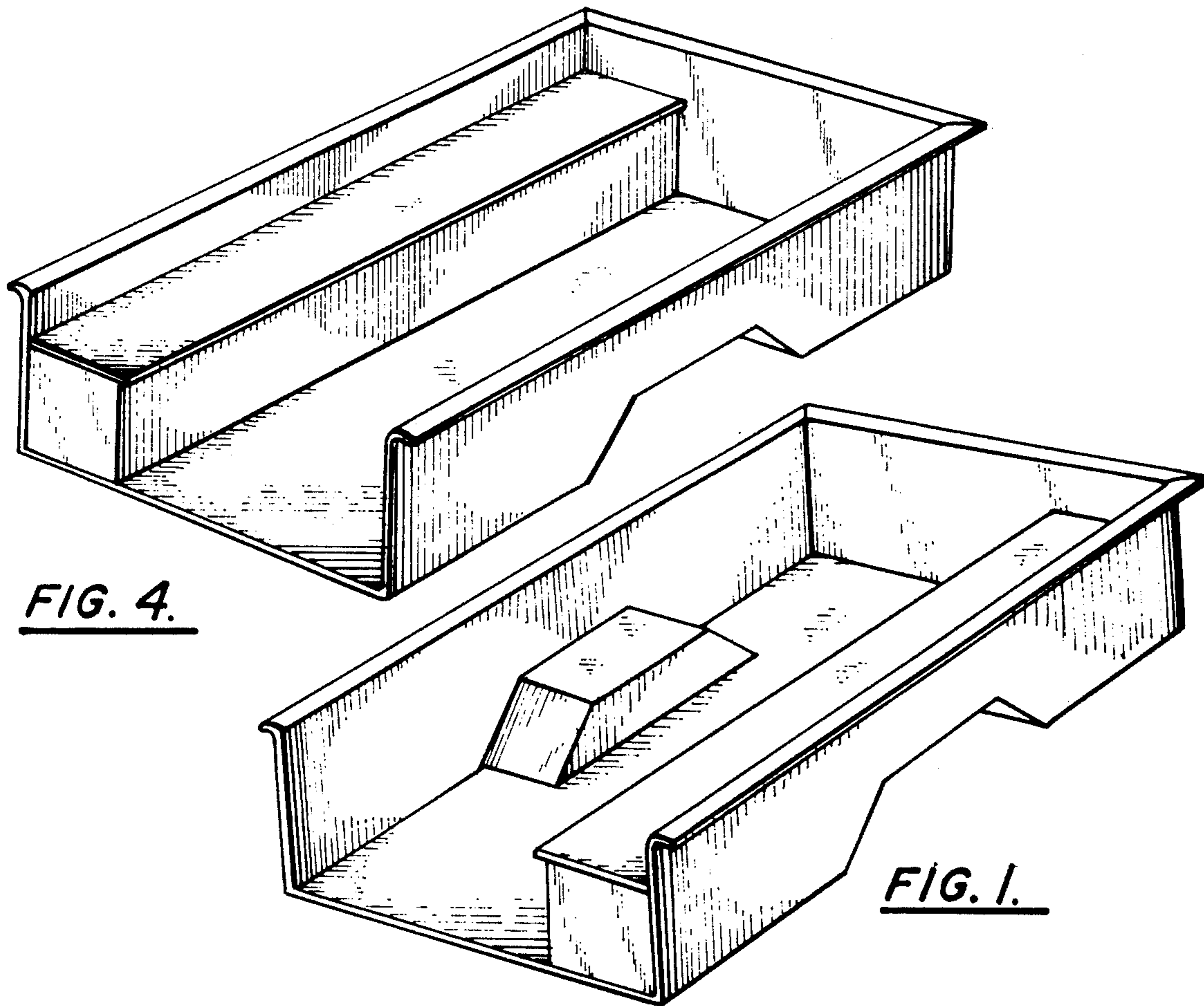


FIG. 4.

FIG. 1.

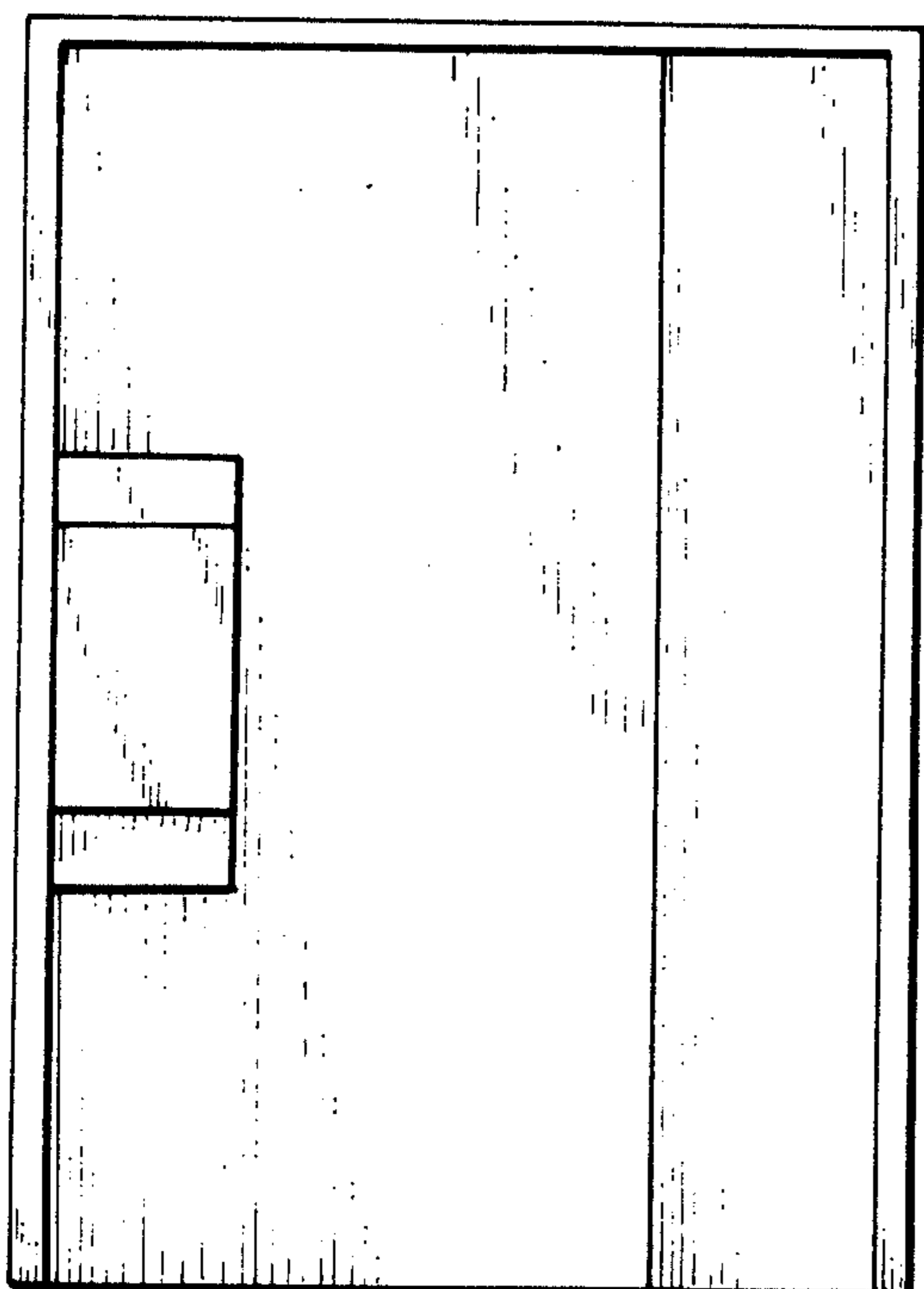


FIG. 2.



FIG. 10.

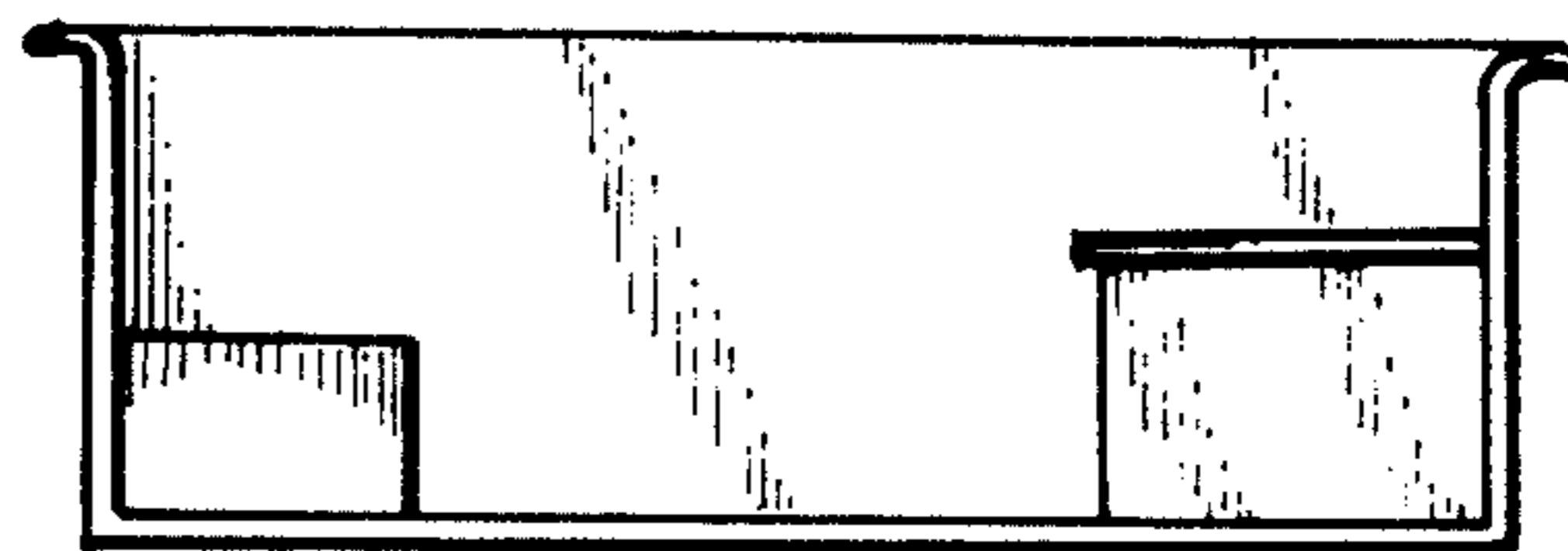


FIG. 3.

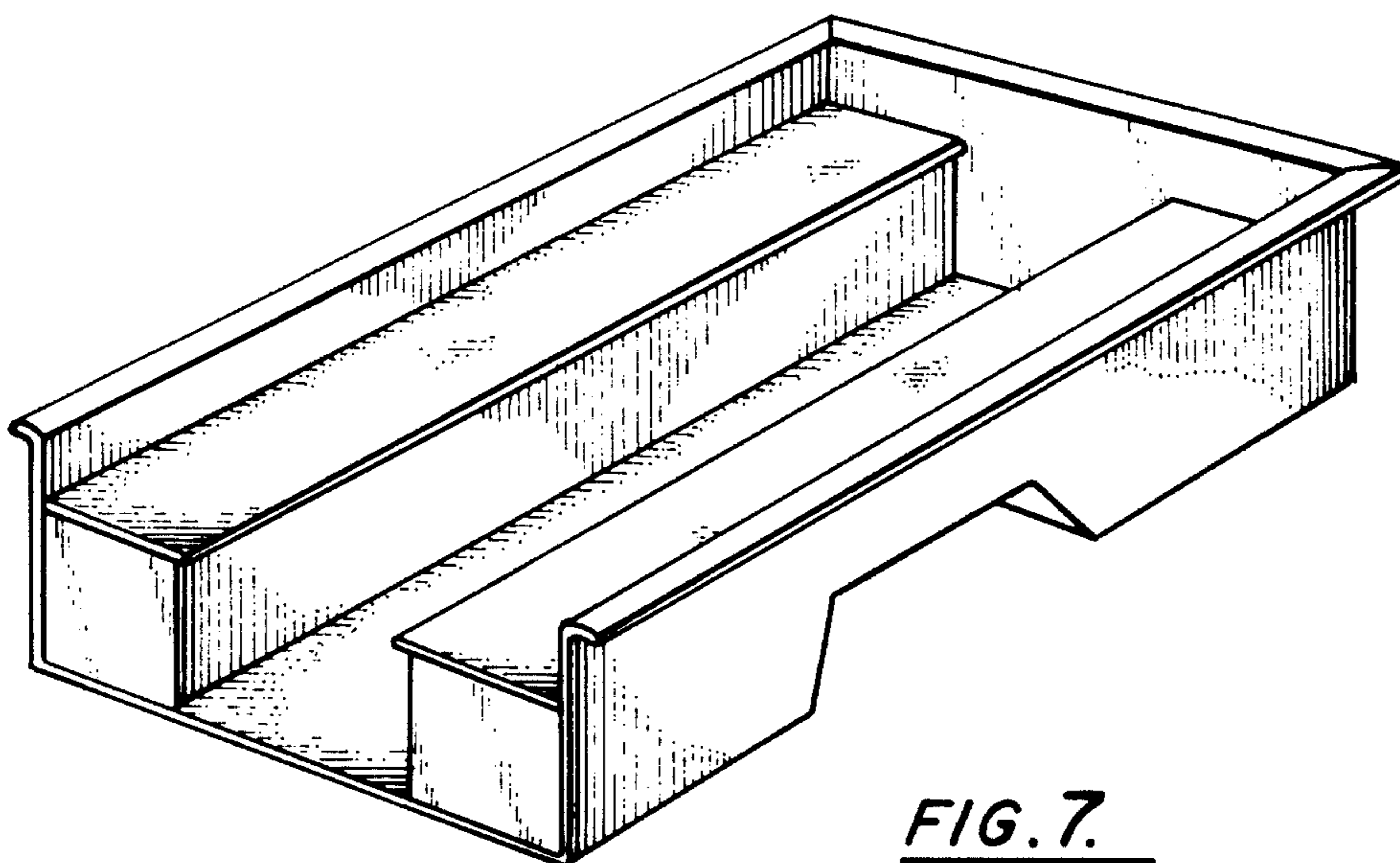


FIG. 7.

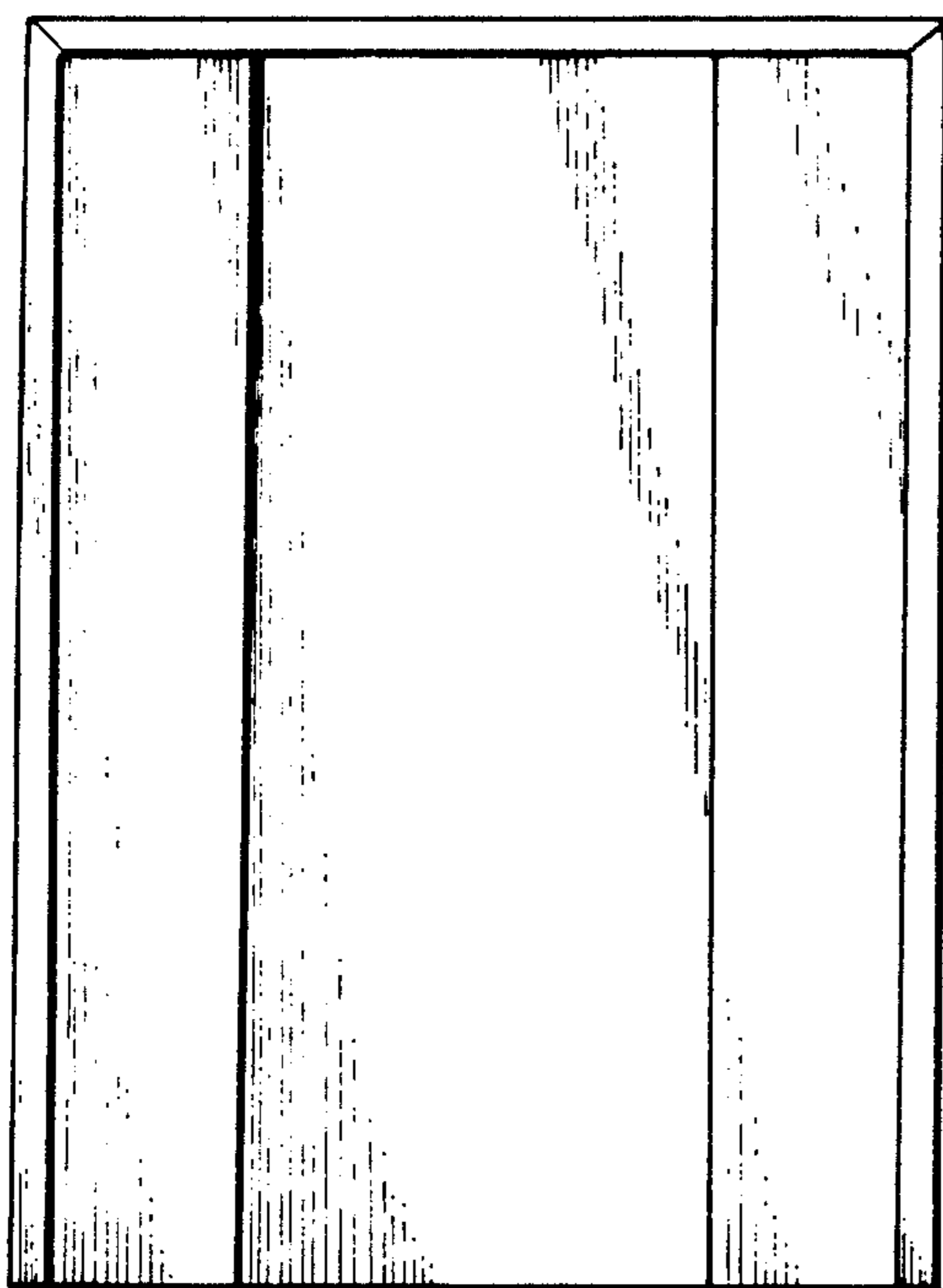


FIG. 8.

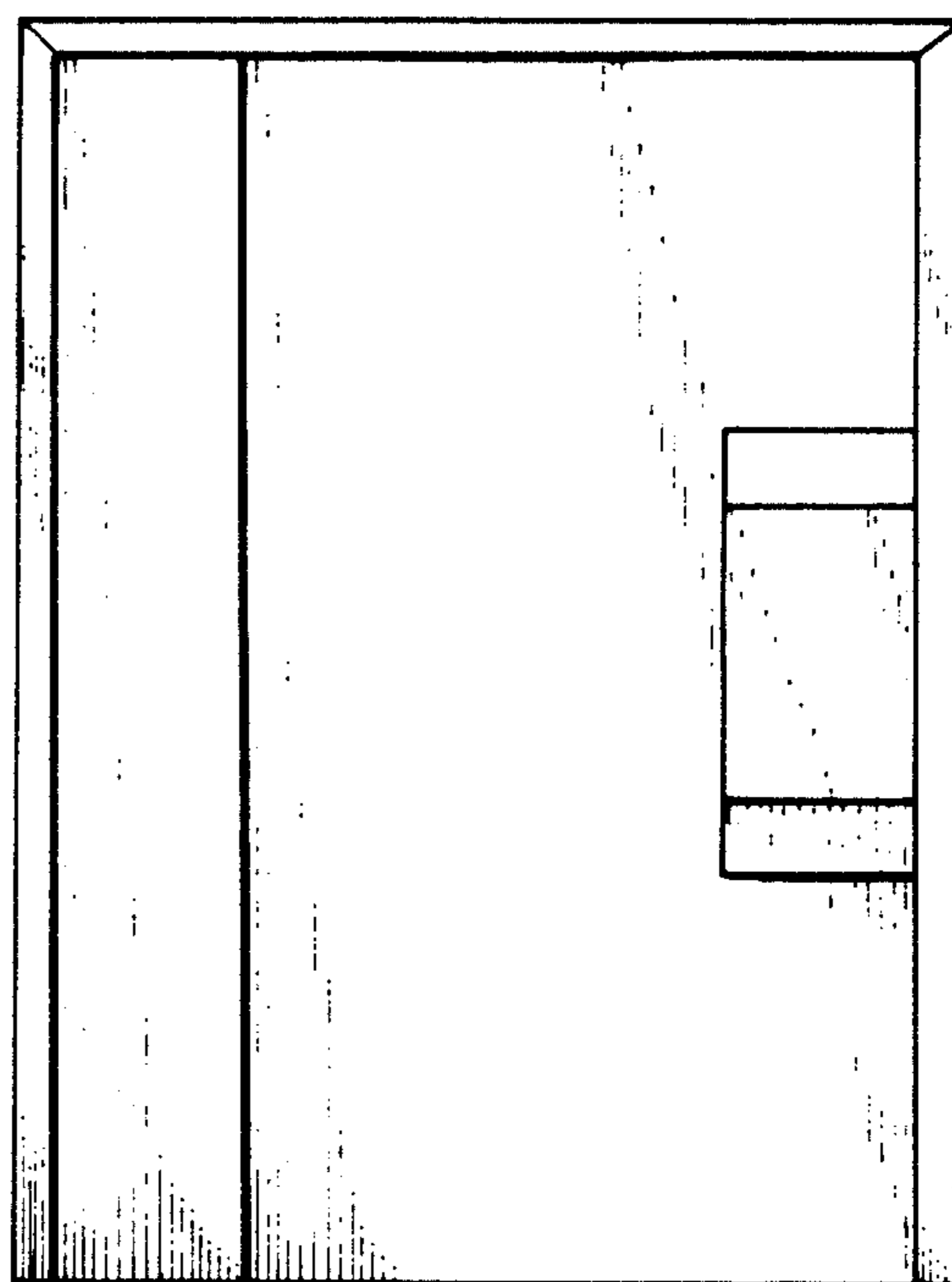


FIG. 5.

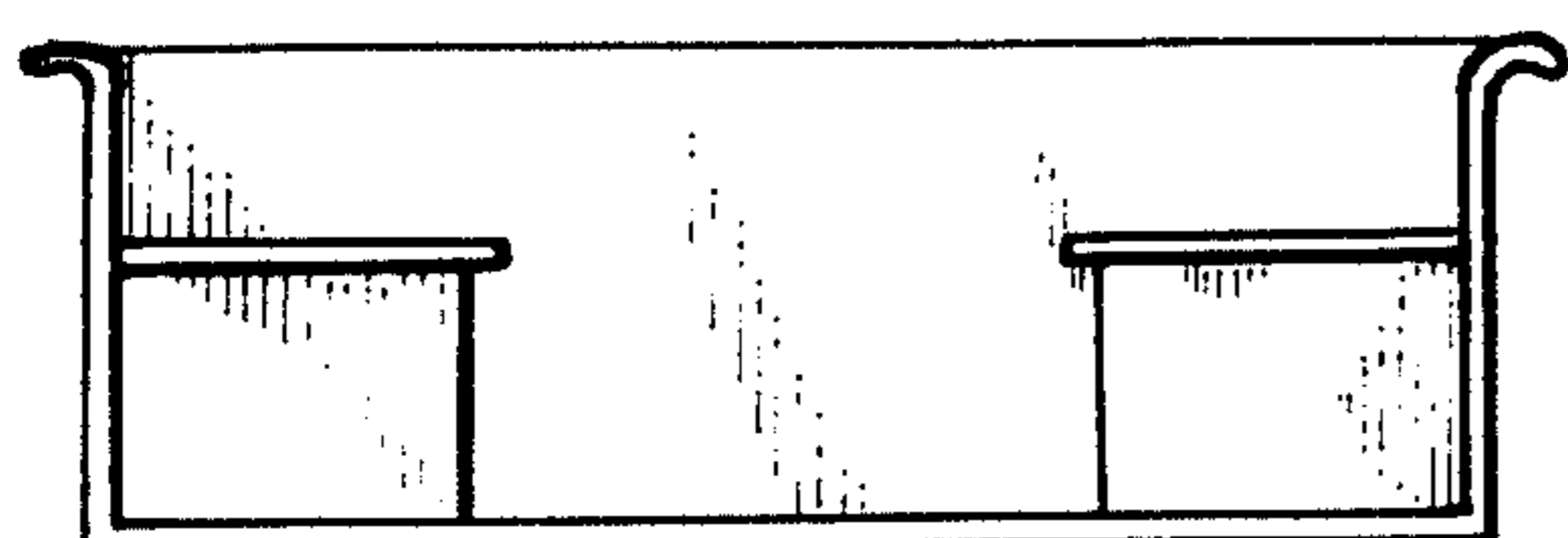


FIG. 9.

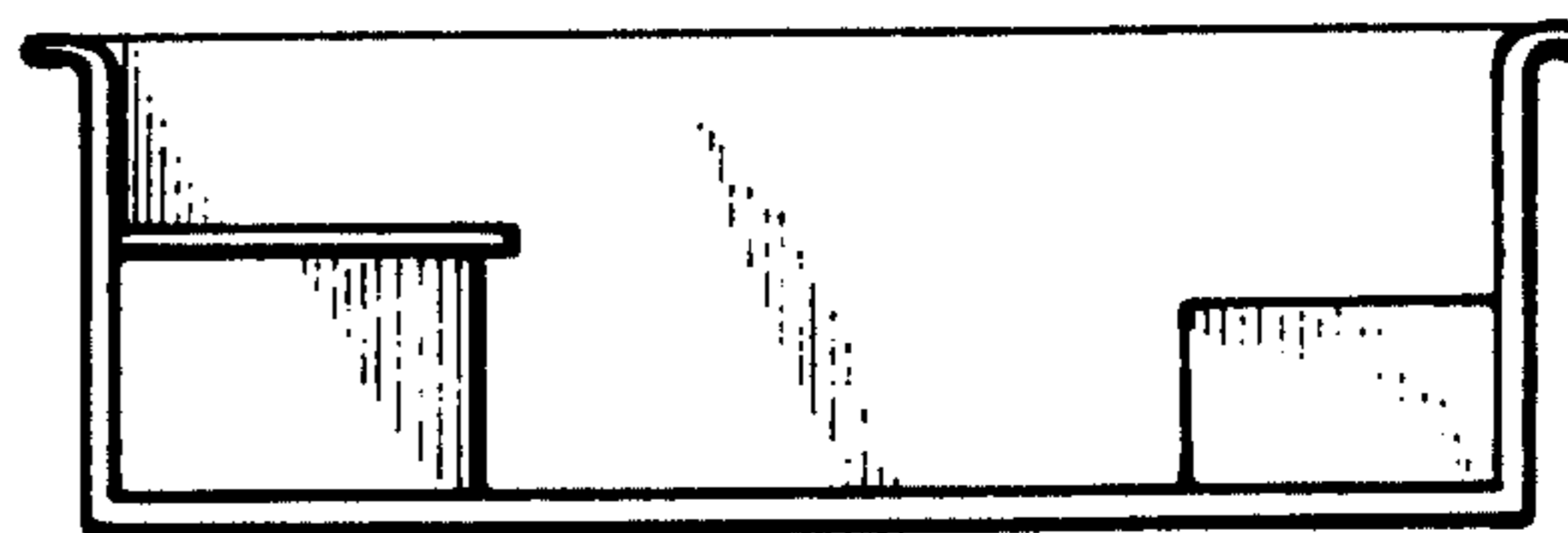


FIG. 6.