

[54] ELECTRONIC SIGNAL DETECTOR

[56]

References Cited

[75] Inventors: Calvin Benjamin Coffin; George G. Vidmar, both of Wichita, Kans.

U.S. PATENT DOCUMENTS

D. 204,939 5/1966 Wyse et al. .... D10/104 X  
D. 226,857 5/1973 Van Den Broek et al. ... D10/104 X

[73] Assignee: Interstate Electronics Supply, Inc., Wichita, Kans.

OTHER PUBLICATIONS

Radatron, Inc. Bulletin, Radar Sentry.

[\*\*] Term: 14 Years

Primary Examiner—Susan J. Lucas

Attorney, Agent, or Firm—Claude A. Fishburn

[21] Appl. No.: 779,605

[57]

CLAIM

The ornamental design for an electronic signal detector, as shown and described.

[22] Filed: Mar. 21, 1977

DESCRIPTION

[51] Int. Cl. .... D10—06

FIG. 1 is a perspective view of an electronic signal detector embodying the design.

[52] U.S. Cl. .... D10/106

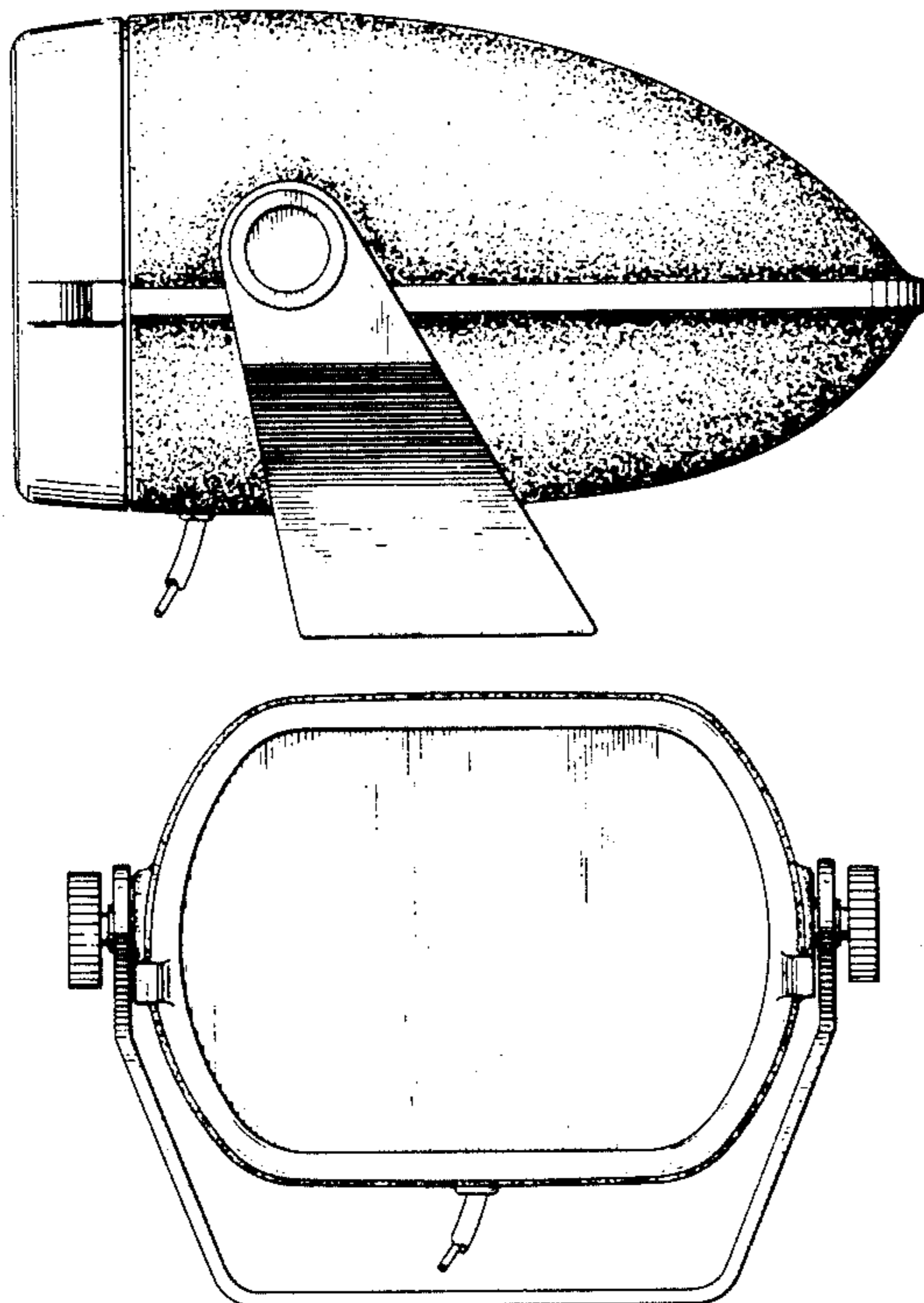
FIG. 2 is a top plan view thereof.

[58] Field of Search ..... D10/104, 106, 121;  
D13/32, 40, 41; 340/227 R, 227.1, 228 R, 237  
R, 258 R, 276; 343/5 PD, 18 E

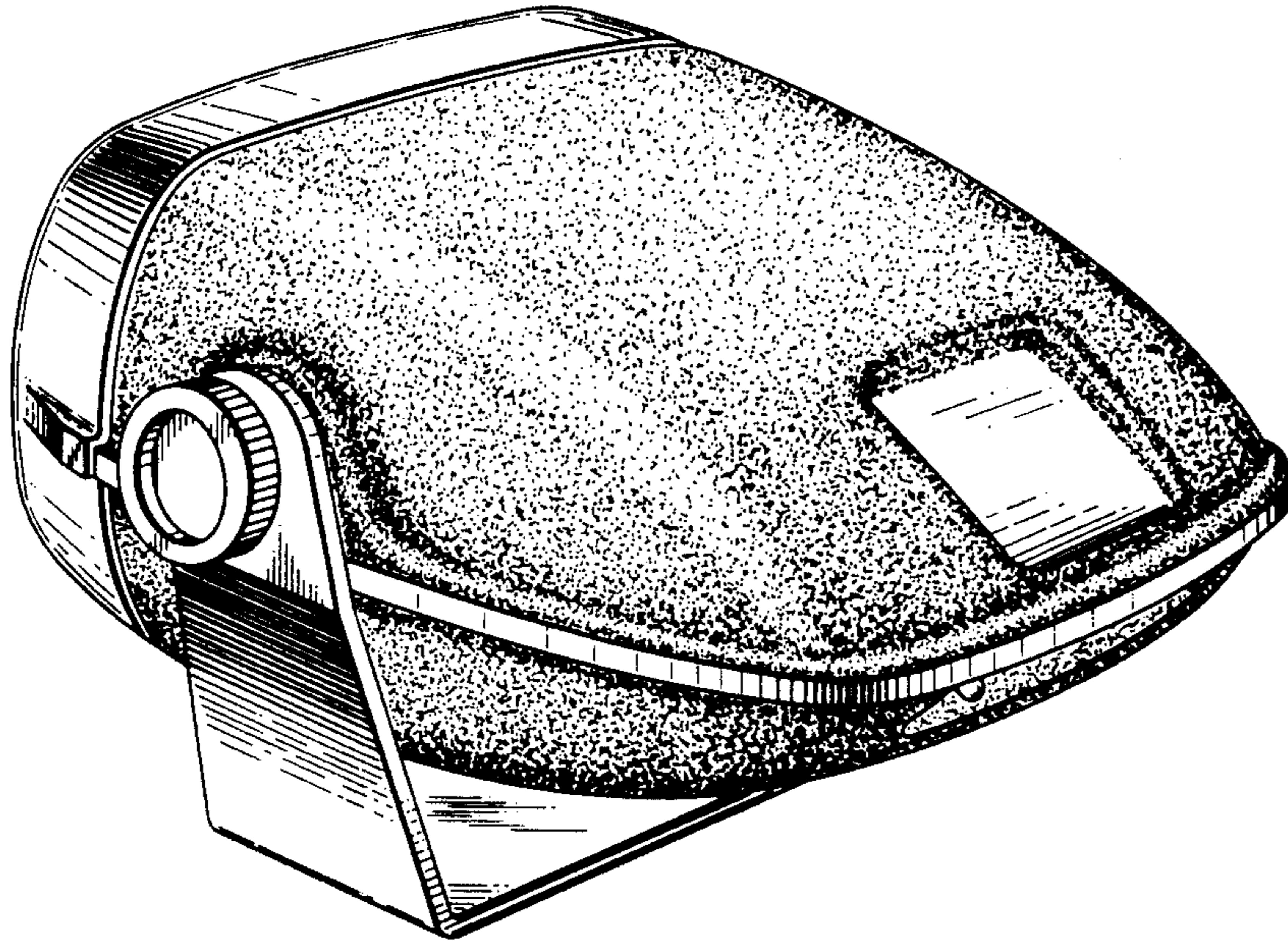
FIG. 3 is a side elevational view thereof, the opposite side being a mirror image of the side shown.

FIG. 4 is a front elevational view thereof.

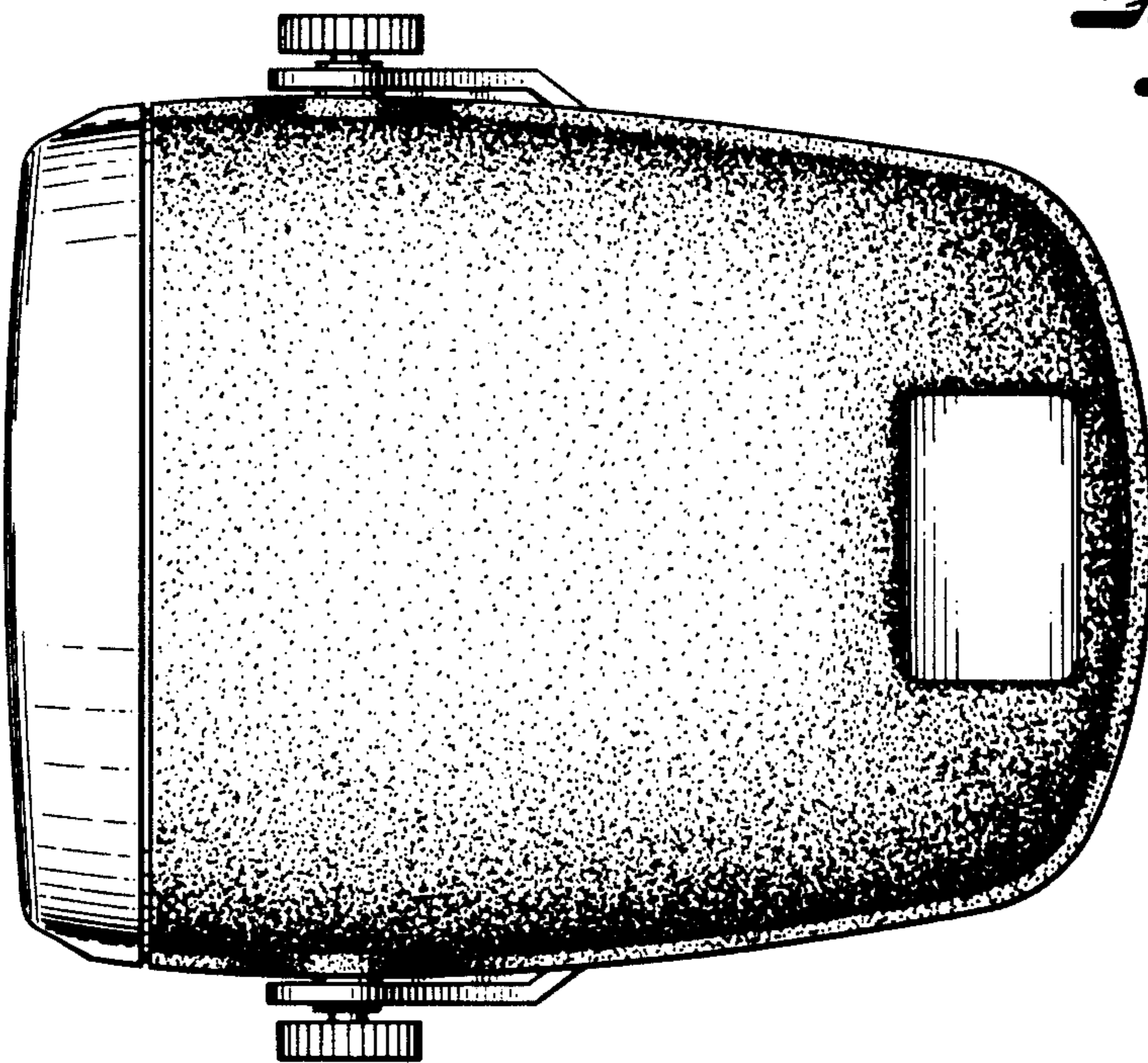
FIG. 5 is a rear elevational view thereof.



*Fig. 1.*

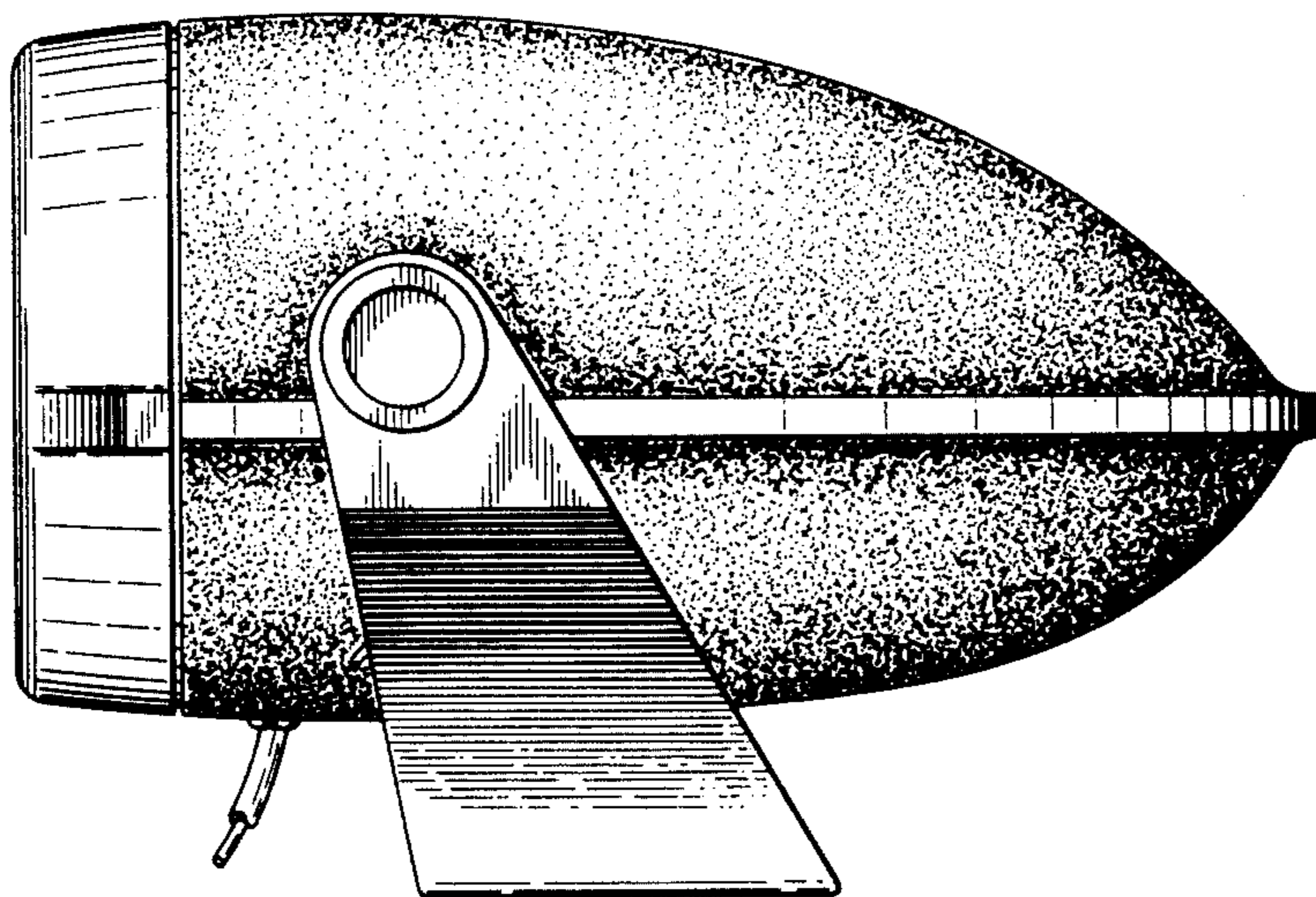


*Fig. 2.*

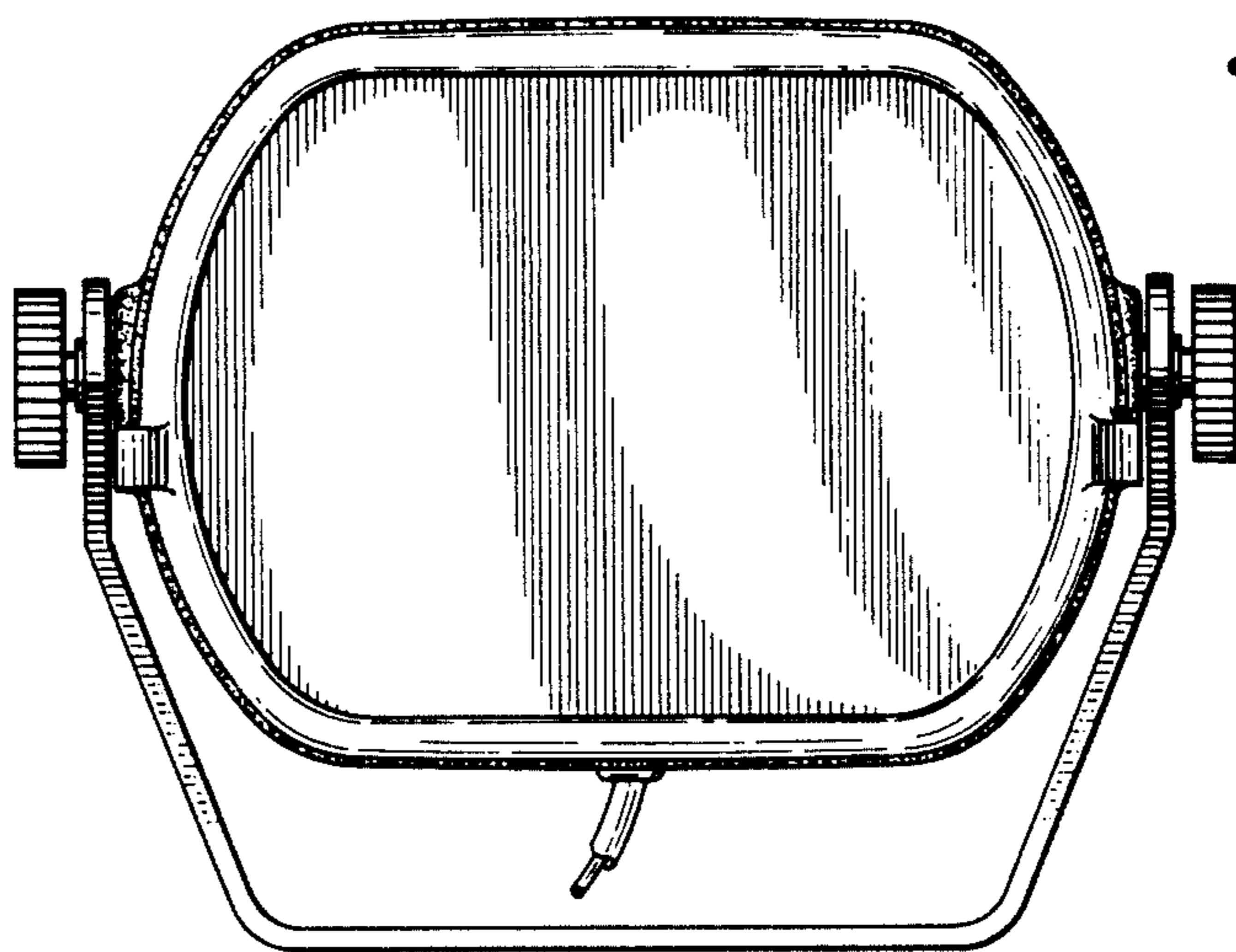




*Fig. 3.*



*Fig. 4.*



*Fig. 5.*

