

[54] PEDESTAL TYPE GARBAGE CAN HOLDER

3,079,119	2/1963	Brooks	248/156 X
3,186,555	6/1965	Ventura	248/DIG. 7
3,227,284	1/1966	Smith	248/DIG. 7
3,788,583	1/1974	Byrd	248/DIG. 7 X

[76] Inventor: Johnny G. Allen, 603 Cedar Ave., Albany, Ga. 31701

[**] Term: 14 Years

Primary Examiner—Wallace R. Burke
Assistant Examiner—Catherine Kemper
Attorney, Agent, or Firm—A. Yates Dowell, Jr.

[21] Appl. No.: 759,293

[22] Filed: Jan. 13, 1977

[57] CLAIM

[51] Int. Cl. D7-07

The ornamental design for a pedestal type garbage can holder, as shown.

[52] U.S. Cl. D7/189

[58] Field of Search D7/189; 211/71, 181; 248/DIG. 7, 95, 156, 175, 97, 99

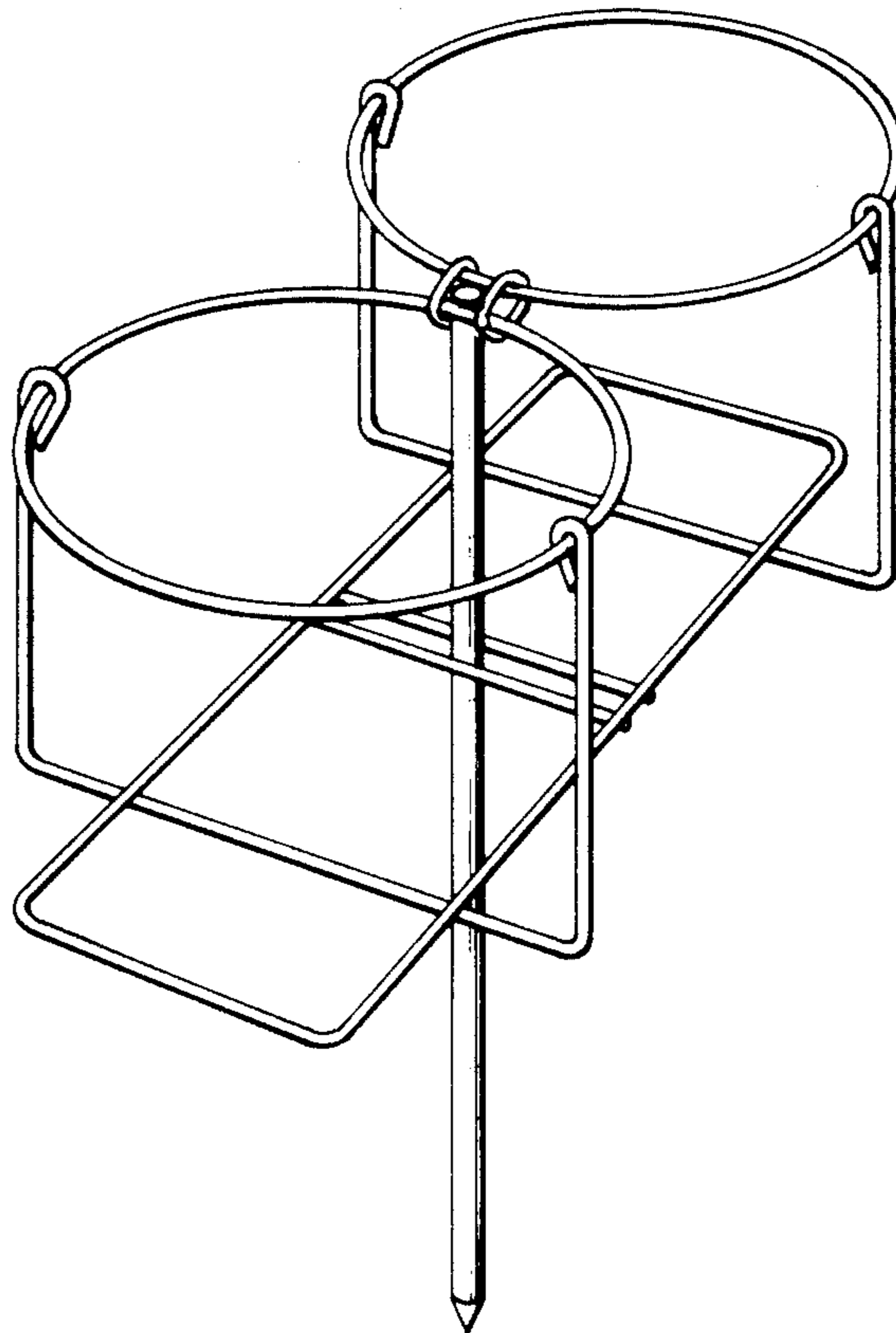
DESCRIPTION

[56] References Cited

U.S. PATENT DOCUMENTS

D. 228,727	10/1973	Harrell	D7/189
2,503,531	4/1950	Welter	248/DIG. 7

FIG. 1 is a perspective view of a pedestal type garbage can holder, showing my new design;
FIG. 2 is a top plan view thereof.
FIG. 3 is a side elevational view thereof.
FIG. 4 is an end elevational view thereof.
FIG. 5 is a bottom plan view.



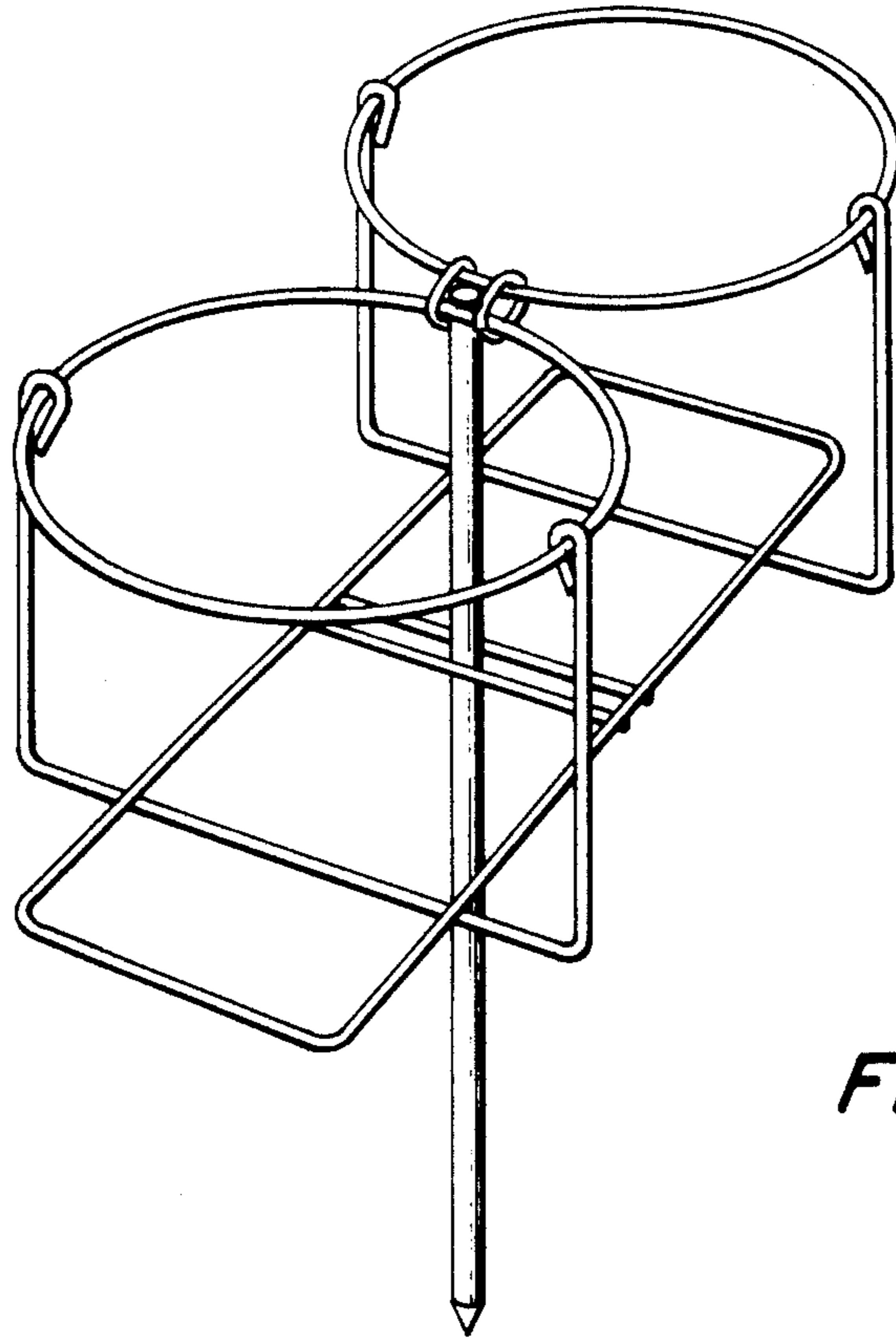


FIG. 1

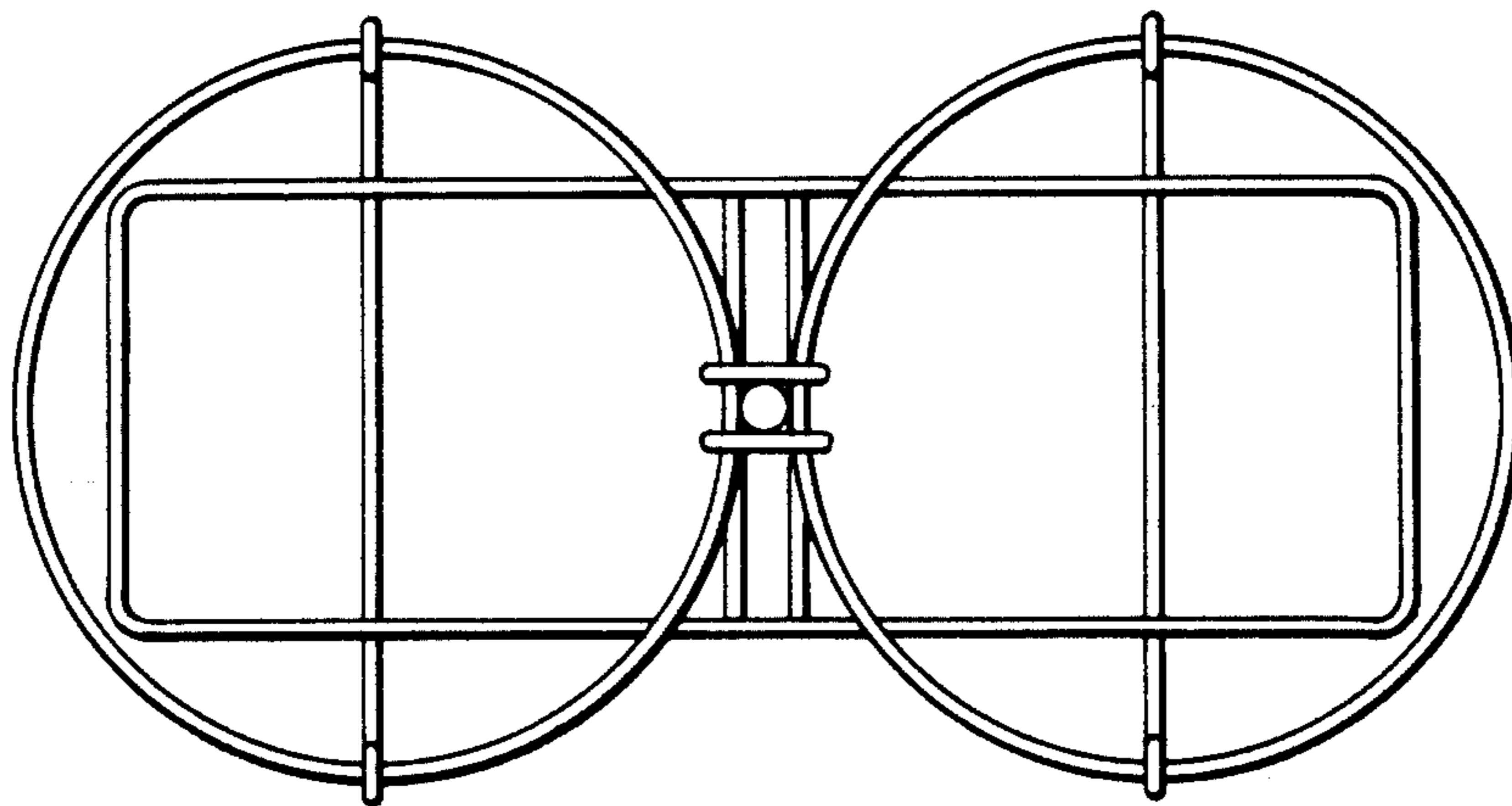


FIG. 2

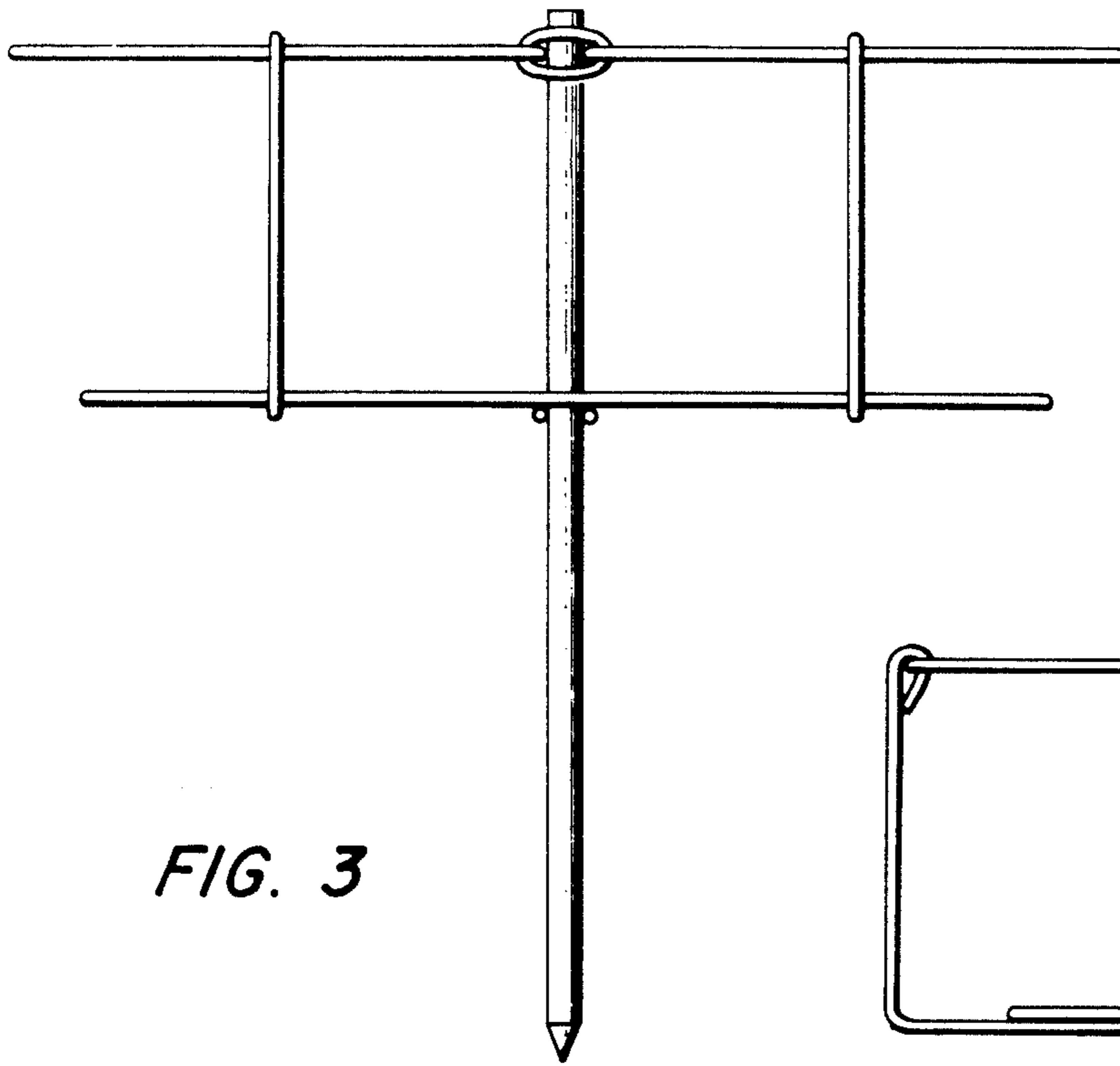


FIG. 3

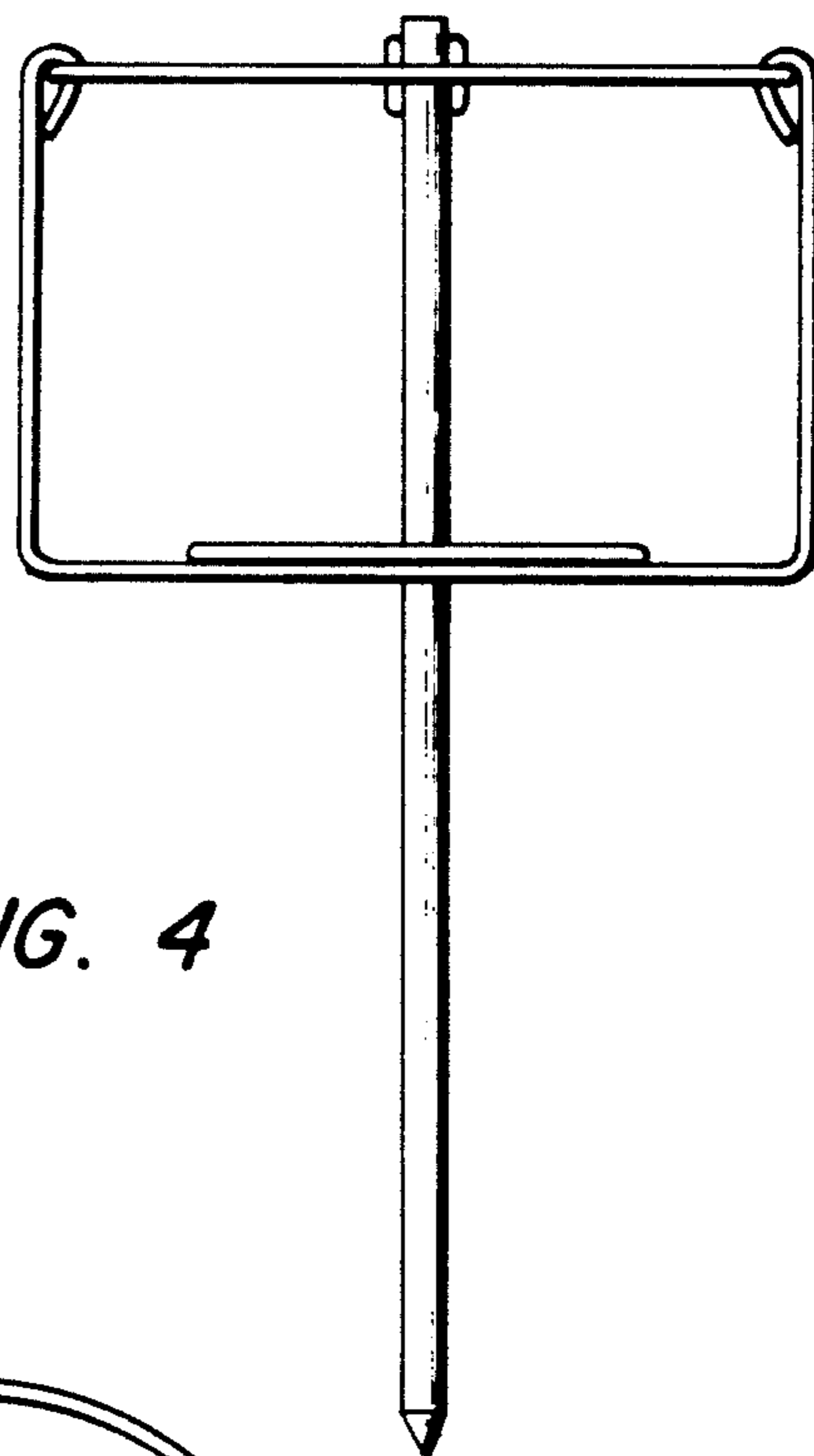


FIG. 4

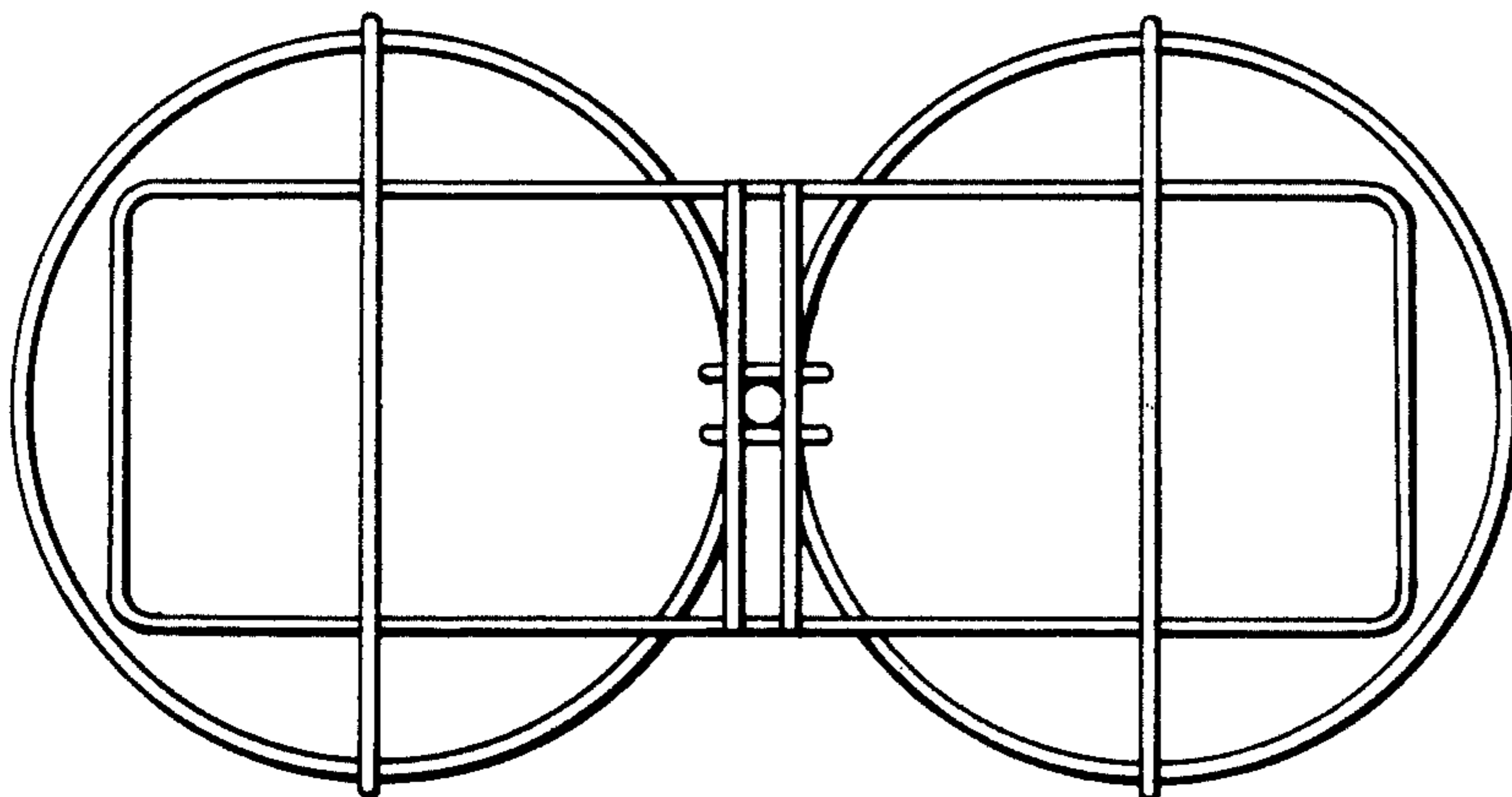


FIG. 5