

- [54] **ELECTRIC SLOW COOKER**
- [75] Inventor: **Joseph A. Rinaldi, Oradell, N.J.**
- [73] Assignee: **Rival Manufacturing Company, Kansas City, Mo.**
- [**] Term: **14 Years**
- [21] Appl. No.: **783,953**
- [22] Filed: **Apr. 1, 1977**
- [51] Int. Cl. **D7-02**
- [52] U.S. Cl. **D7/94; D7/97**
- [58] Field of Search **D7/97, 94, 17**

- D. 221,096 7/1971 Tevolitz et al. D7/94
- D. 233,397 10/1974 McCue D7/94

OTHER PUBLICATIONS

House & Garden, May 1973, p. 168, Rival "Crock-Pot" shown at left.

Primary Examiner—Winifred E. Herrmann
Attorney, Agent, or Firm—Claude W. Lowe

[57] **CLAIM**

The ornamental design for an electric slow cooker, as shown and described.

DESCRIPTION

FIG. 1 is a front perspective view of an electric slow cooker showing my new design;
 FIG. 2 is a front elevational view thereof;
 FIG. 3 is a side elevational view thereof as seen from the right of FIG. 2;
 FIG. 4 is a rear elevational view thereof;
 FIG. 5 is a top plan view thereof; and
 FIG. 6 is a bottom plan view thereof.

- [56] **References Cited**
- U.S. PATENT DOCUMENTS**
- D. 54,898 4/1920 Churchill D7/20
- D. 160,070 9/1950 Carr D7/97
- D. 170,575 10/1953 Jepson D7/94
- D. 170,766 11/1953 Petertil D7/94
- D. 174,721 5/1955 Steinbook D7/94

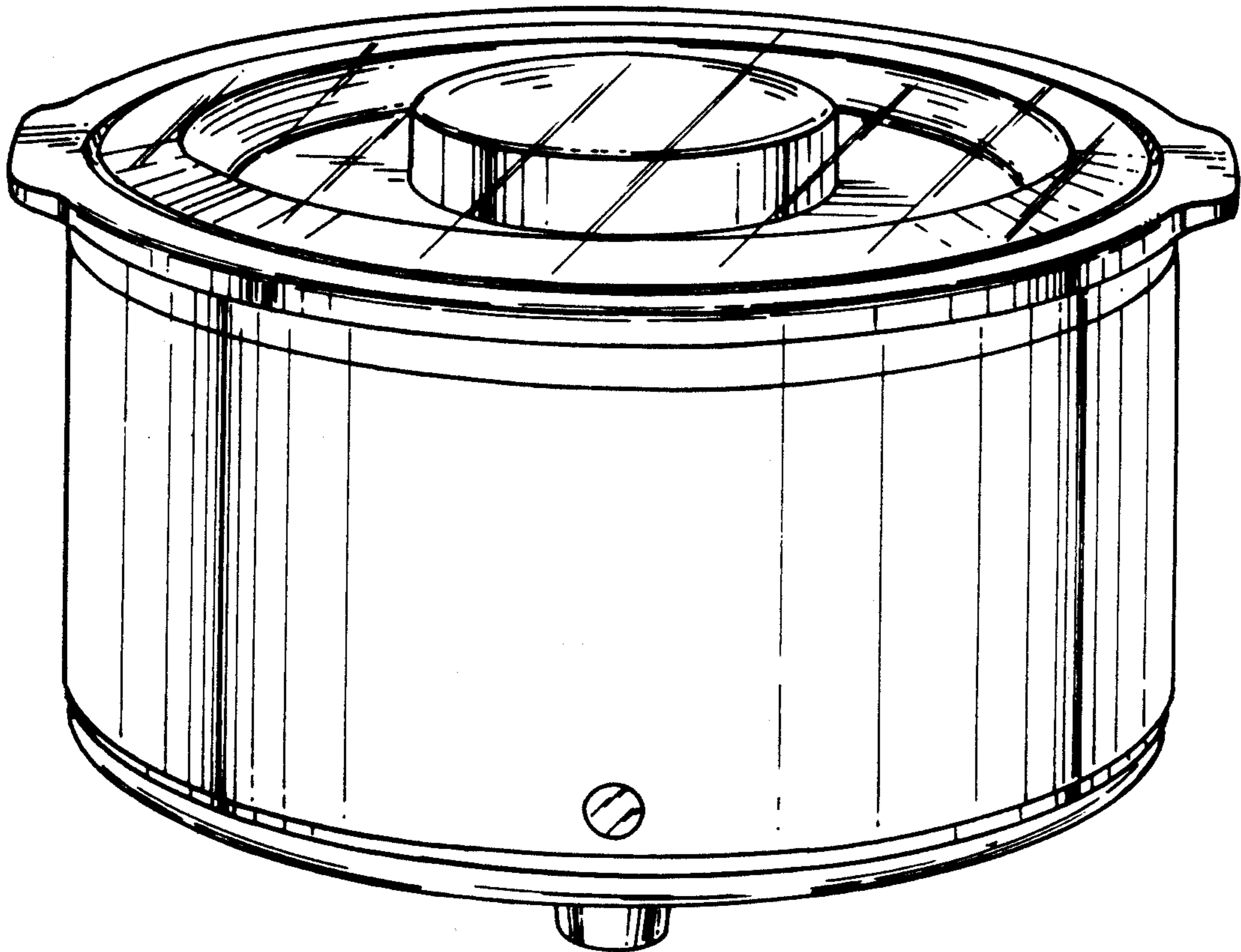


Fig. 1.

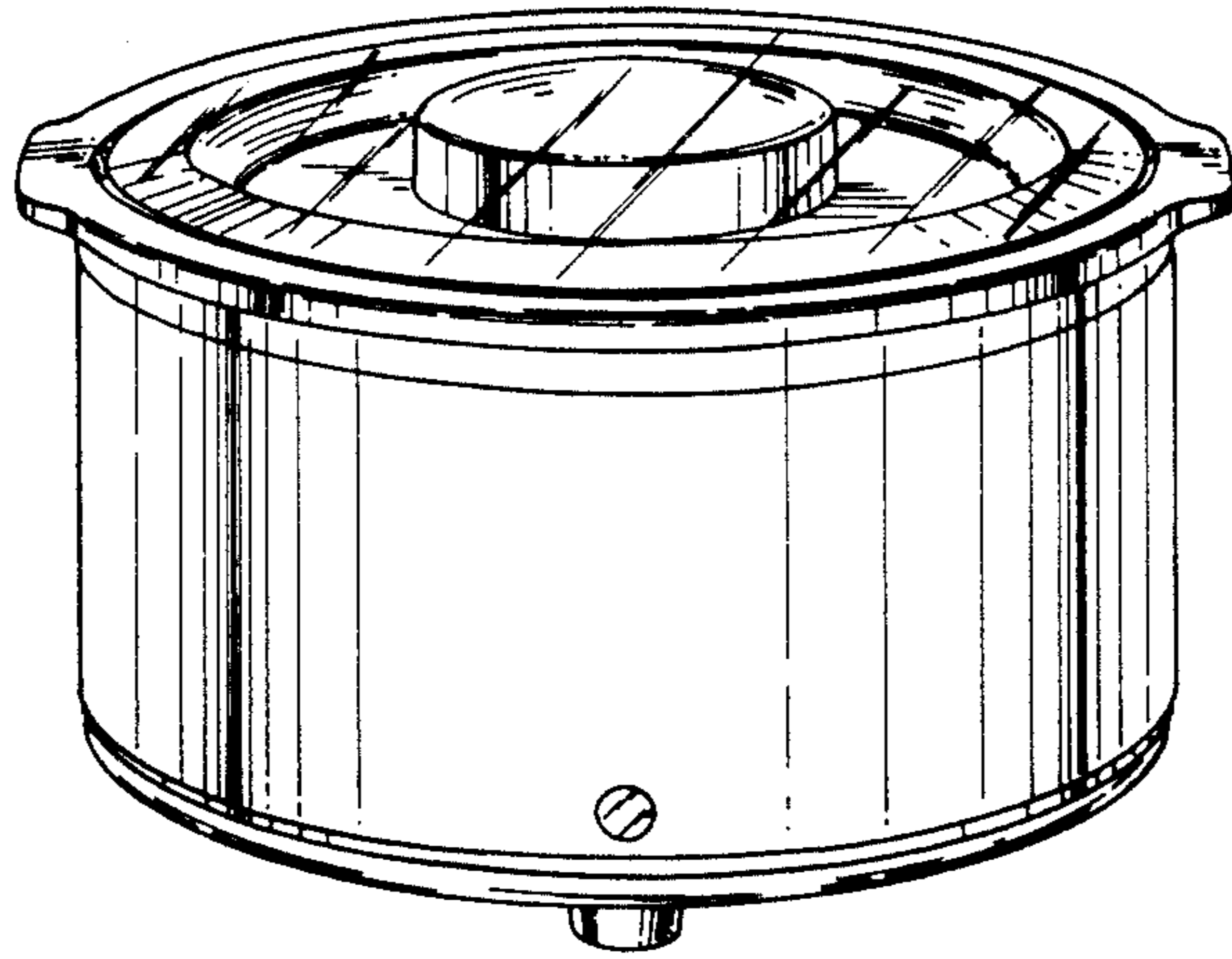


Fig. 2.

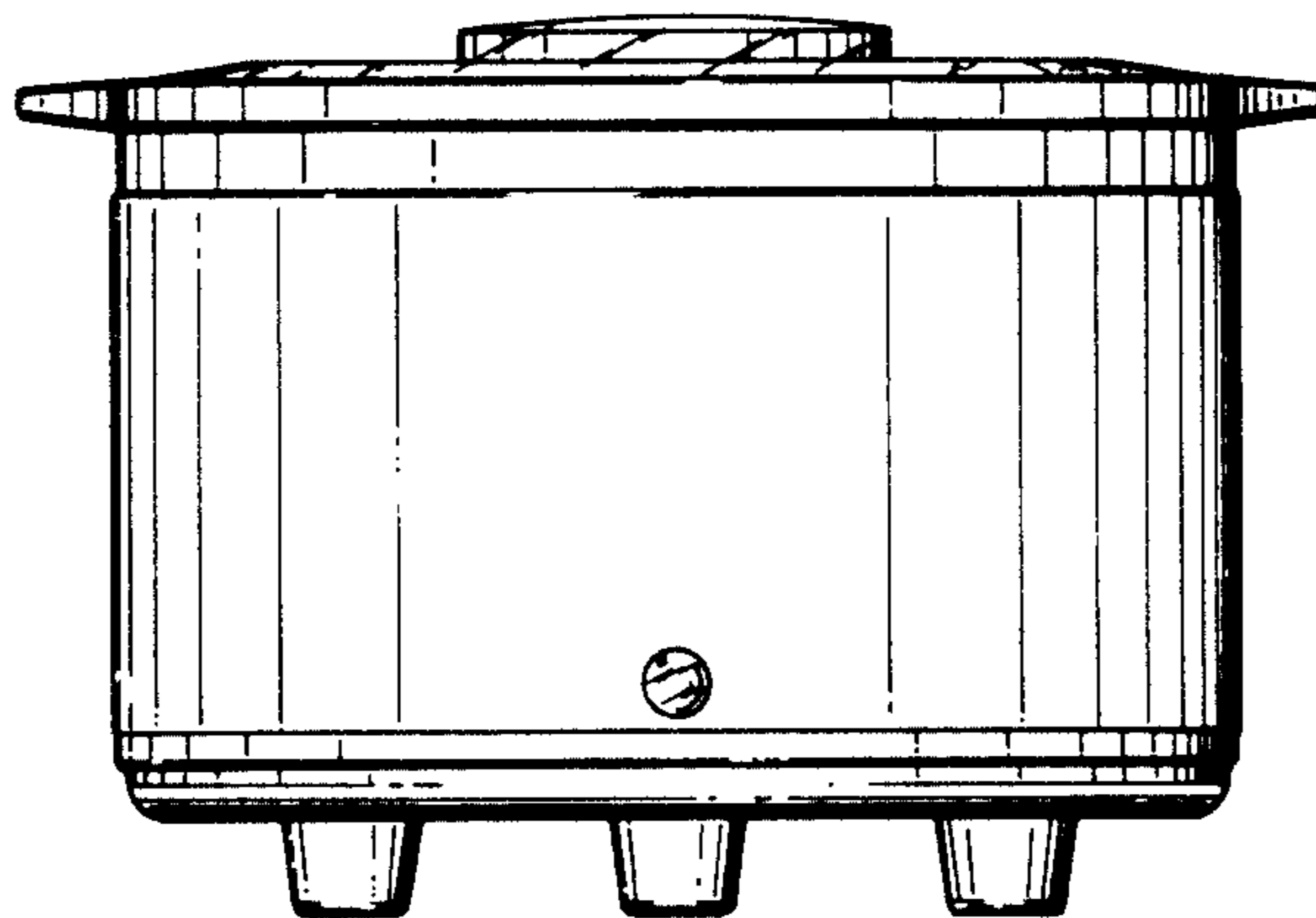


Fig. 3.

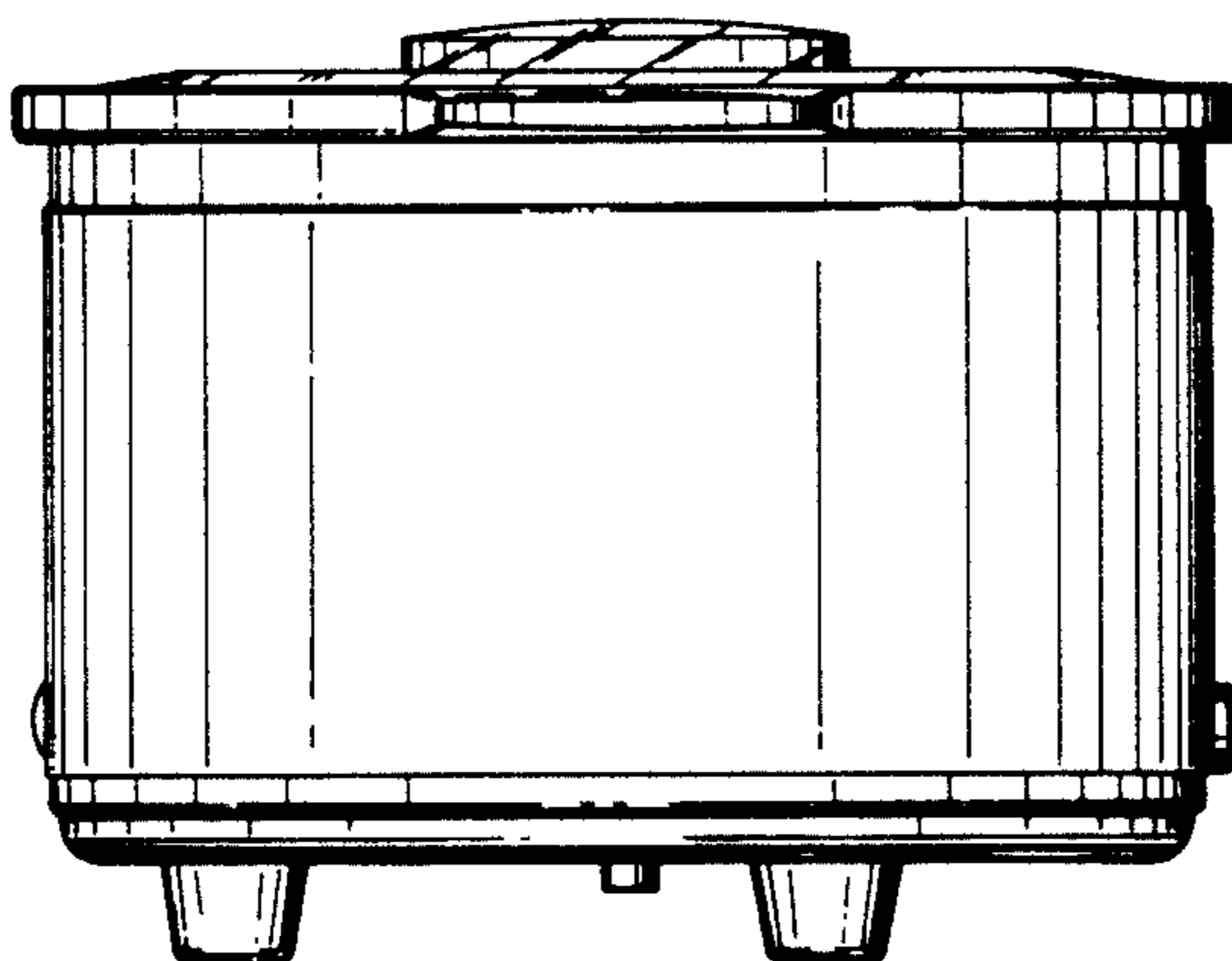


Fig. 4.

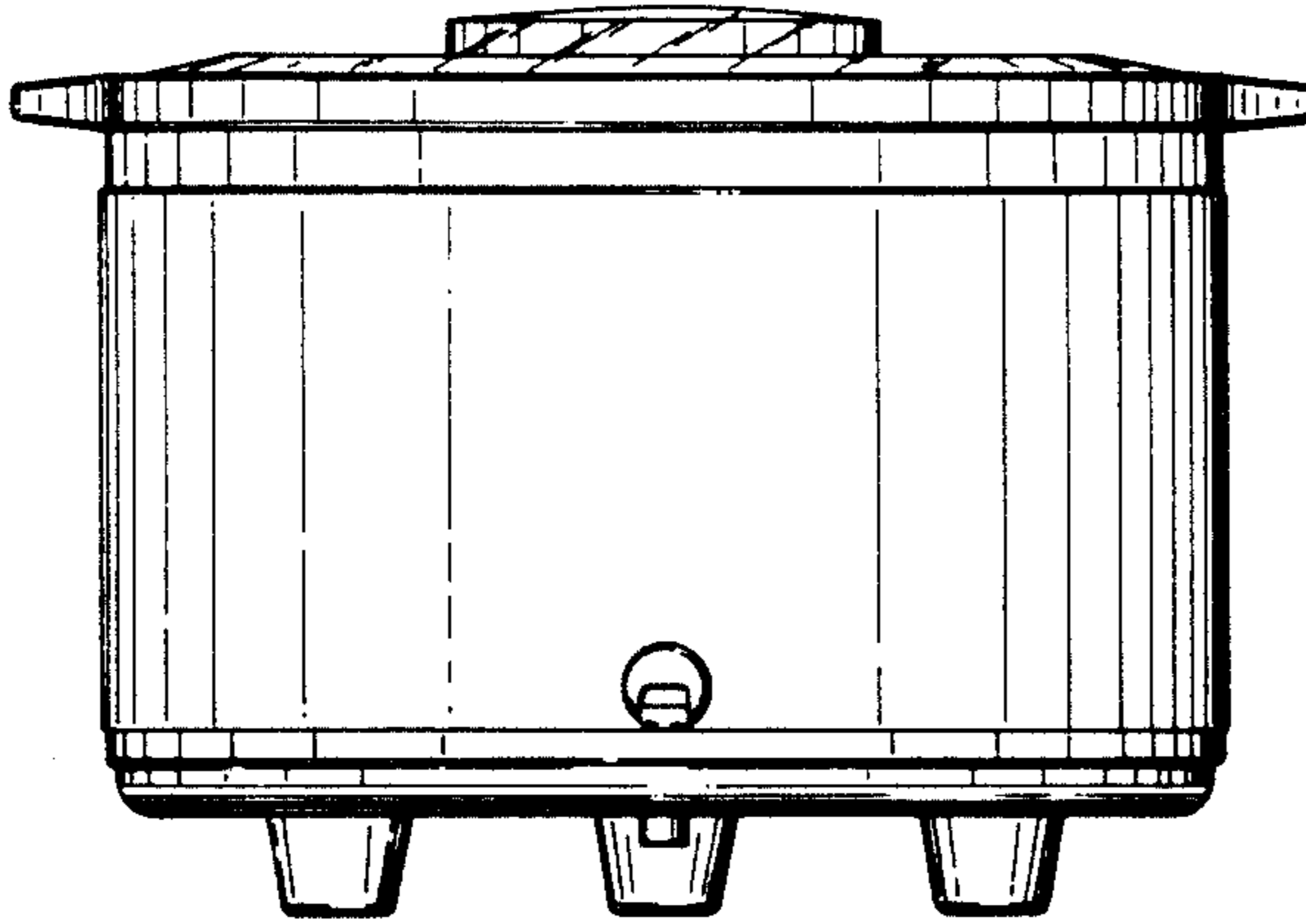


Fig. 5.

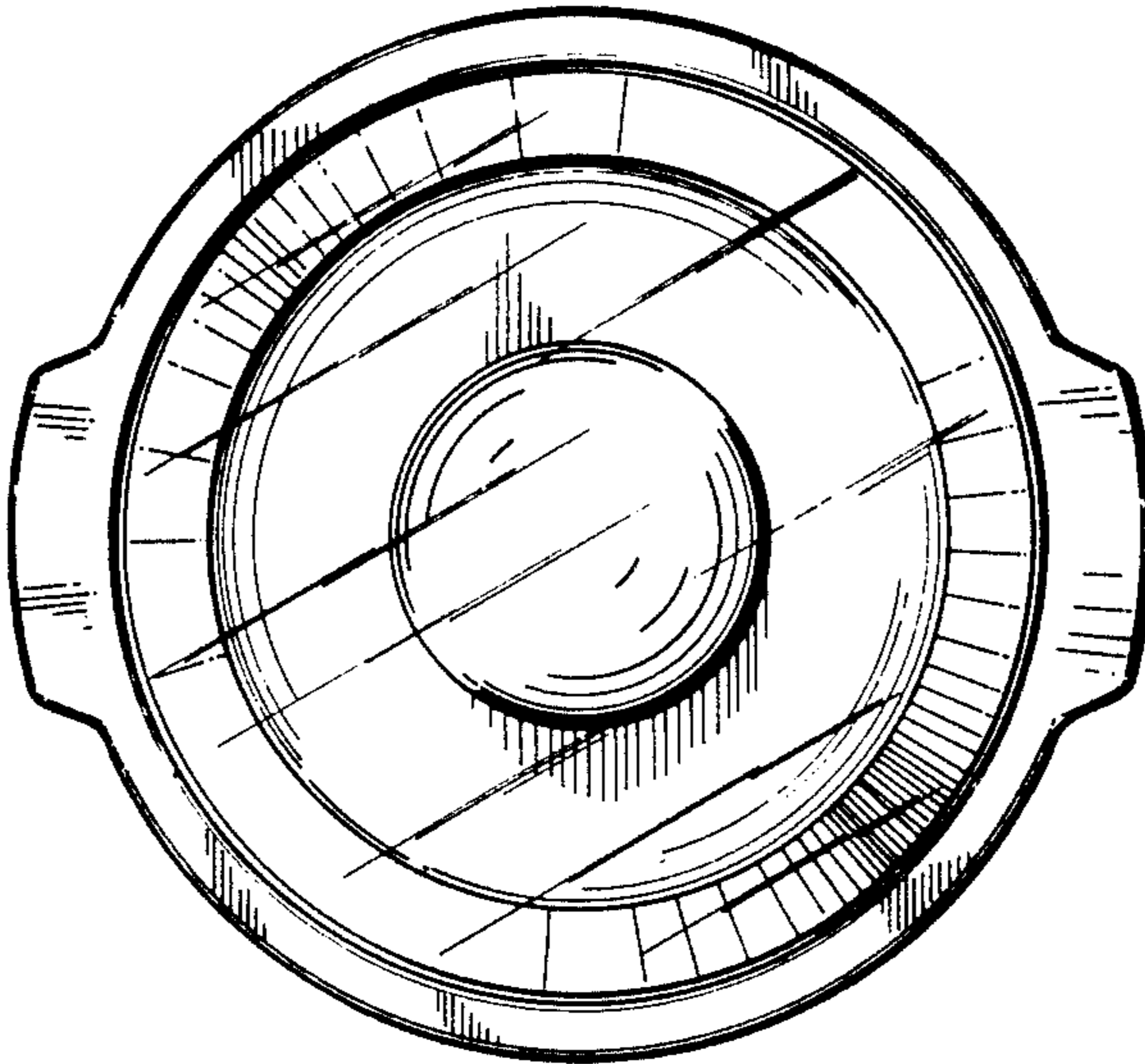


Fig. 6.

