

[54] ICE CONTAINER

[75] Inventor: Edgar F. Trombly, Grosse Pointe Farms, Mich.

[73] Assignee: Dart Industries, Inc., Los Angeles, Calif.

[**] Term: 14 Years

[21] Appl. No.: 703,500

[22] Filed: Jul. 8, 1976

[51] Int. Cl. D7-01

[52] U.S. Cl. D7/78; D7/77

[58] Field of Search D7/76, 77, 78, 18, 82

[56] References Cited

U.S. PATENT DOCUMENTS

- D. 164,328 8/1951 Roop D7/78
- D. 164,540 9/1951 Yates D7/76

- D. 205,969 10/1966 Barr et al. D7/77 X
- D. 220,202 3/1971 Brown D7/77
- D. 238,148 12/1975 Dilot D7/76 X
- D. 246,562 12/1977 Stoddard D7/78

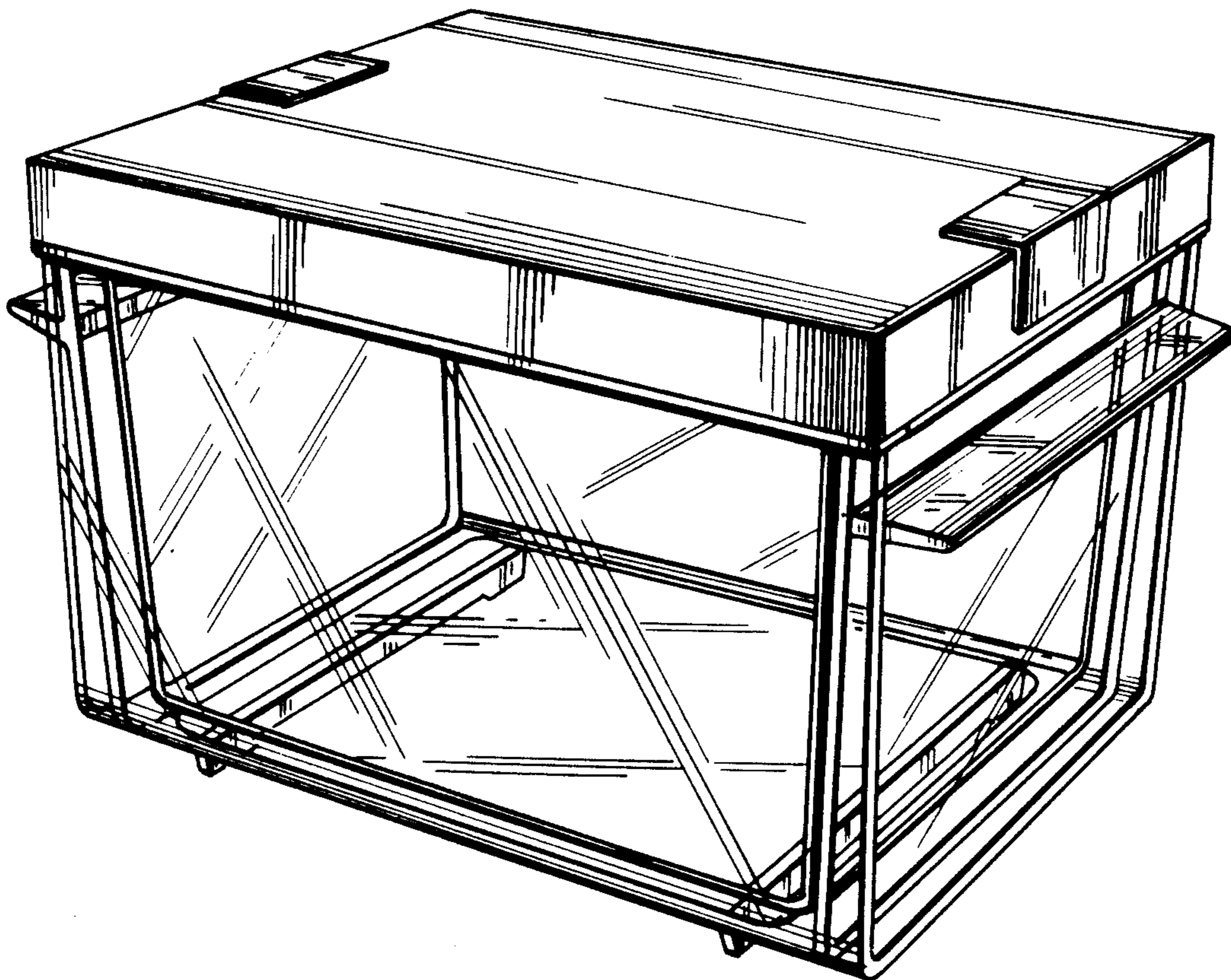
Primary Examiner—Winifred E. Herrmann
Attorney, Agent, or Firm—Kenneth J. Hovet

[57] CLAIM

The ornamental design for an ice container, substantially as shown.

DESCRIPTION

FIG. 1 is a perspective view of an ice container showing my new design;
 FIG. 2 is a side elevation view thereof;
 FIG. 3 is a top plan view thereof;
 FIG. 4 is a bottom plan view thereof;
 FIG. 5 is an end elevation view thereof; and,
 FIG. 6 is a cross-section taken along line 6-6 of FIG. 3.



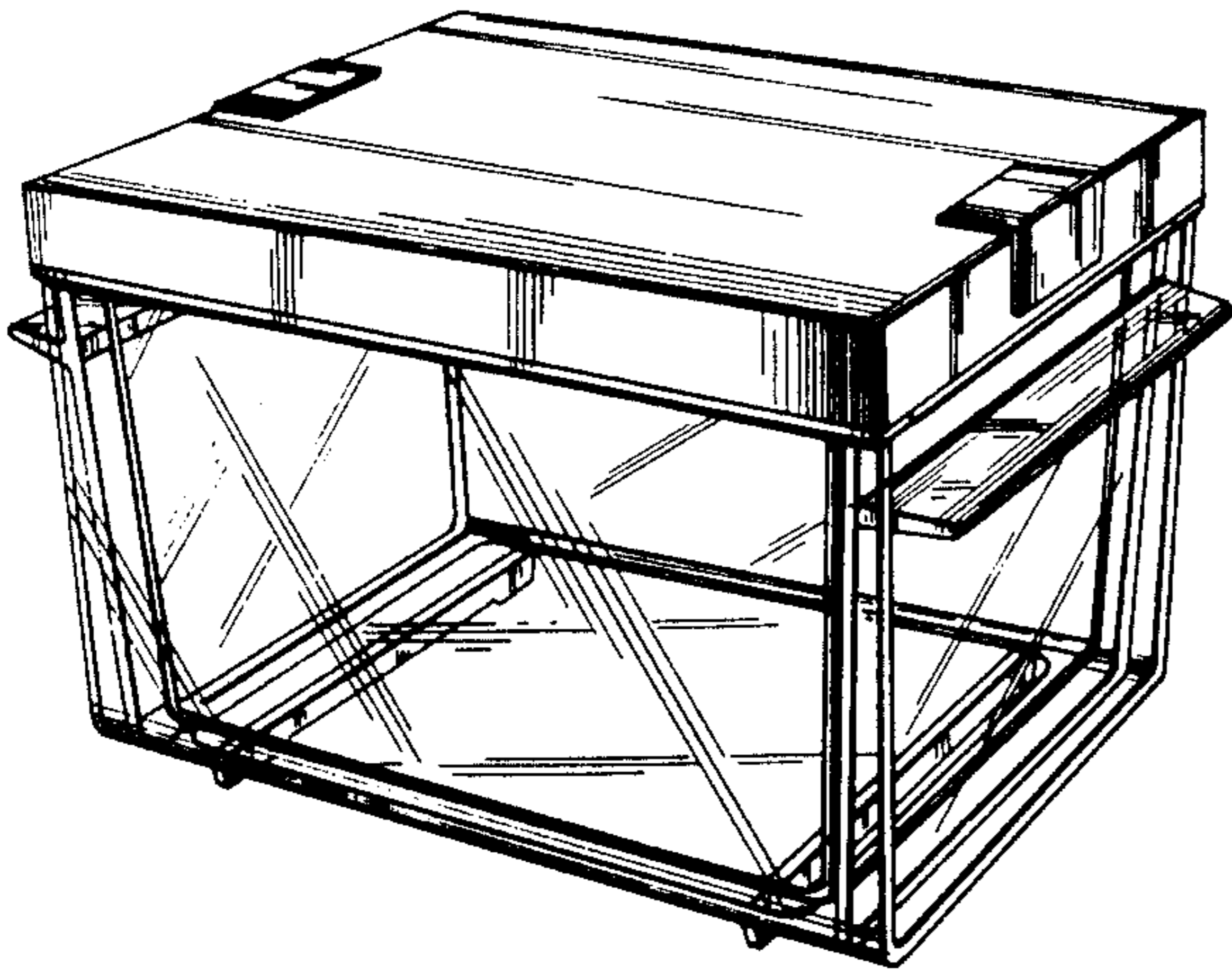


FIG. 1

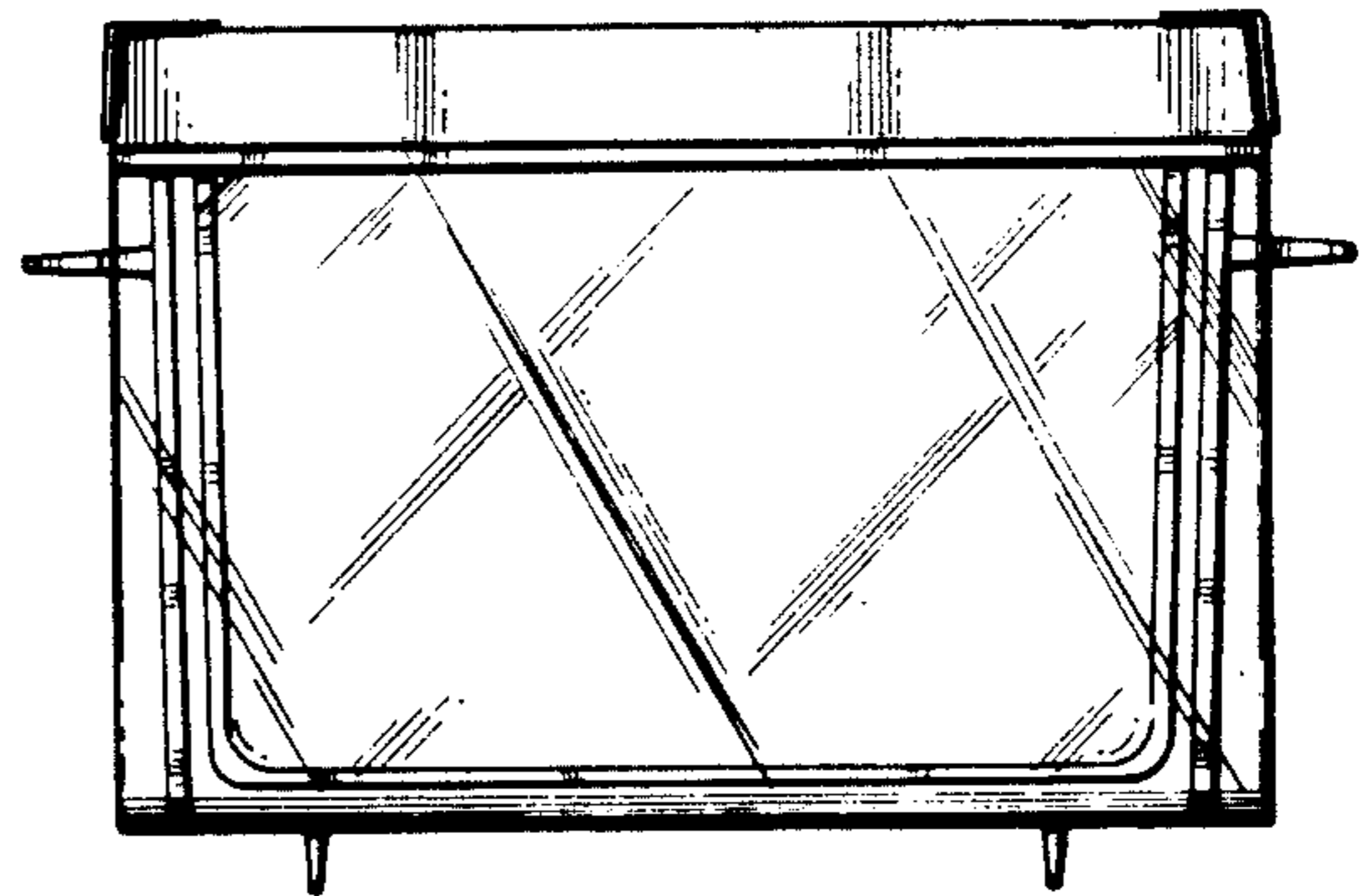


FIG. 2

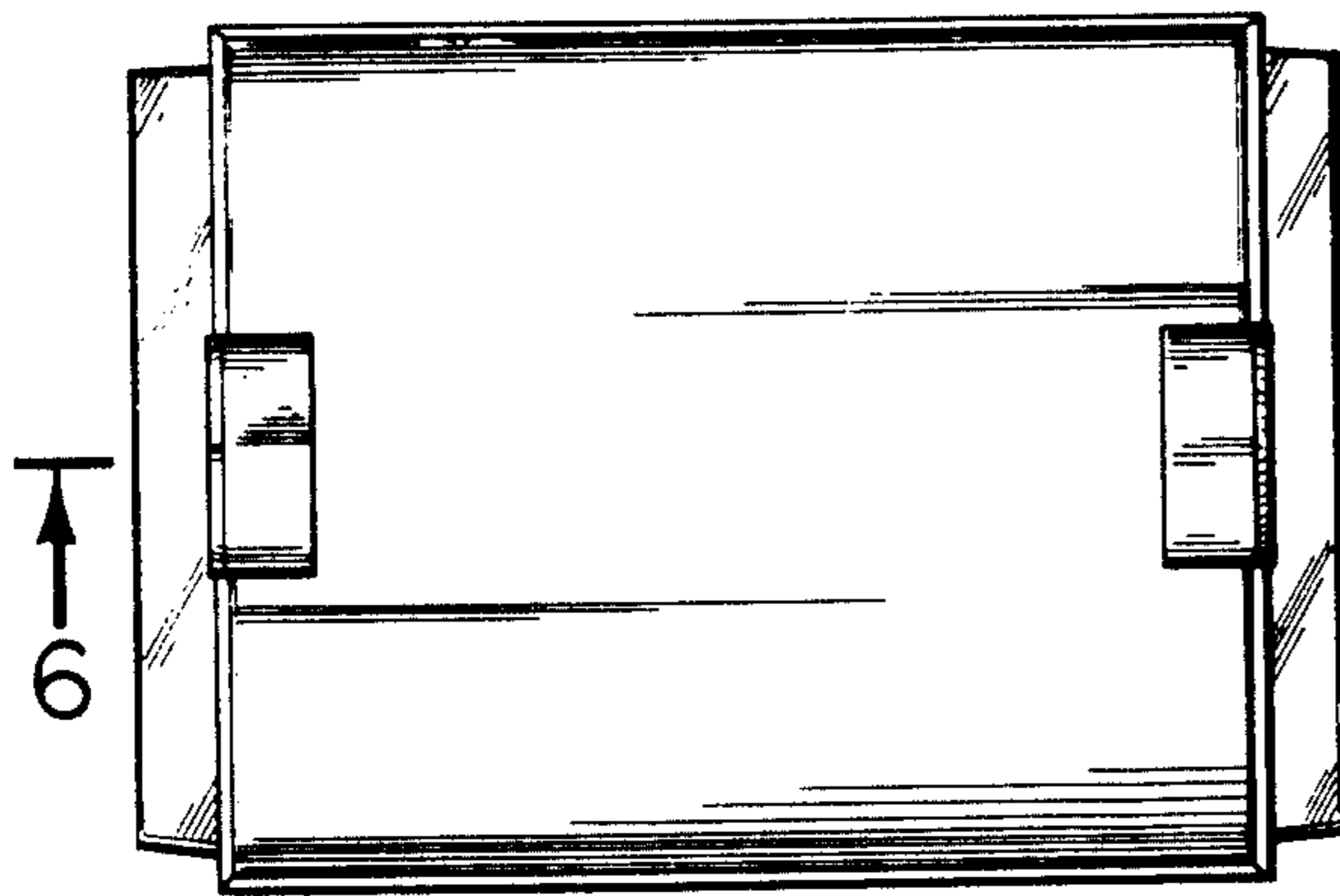


FIG. 3

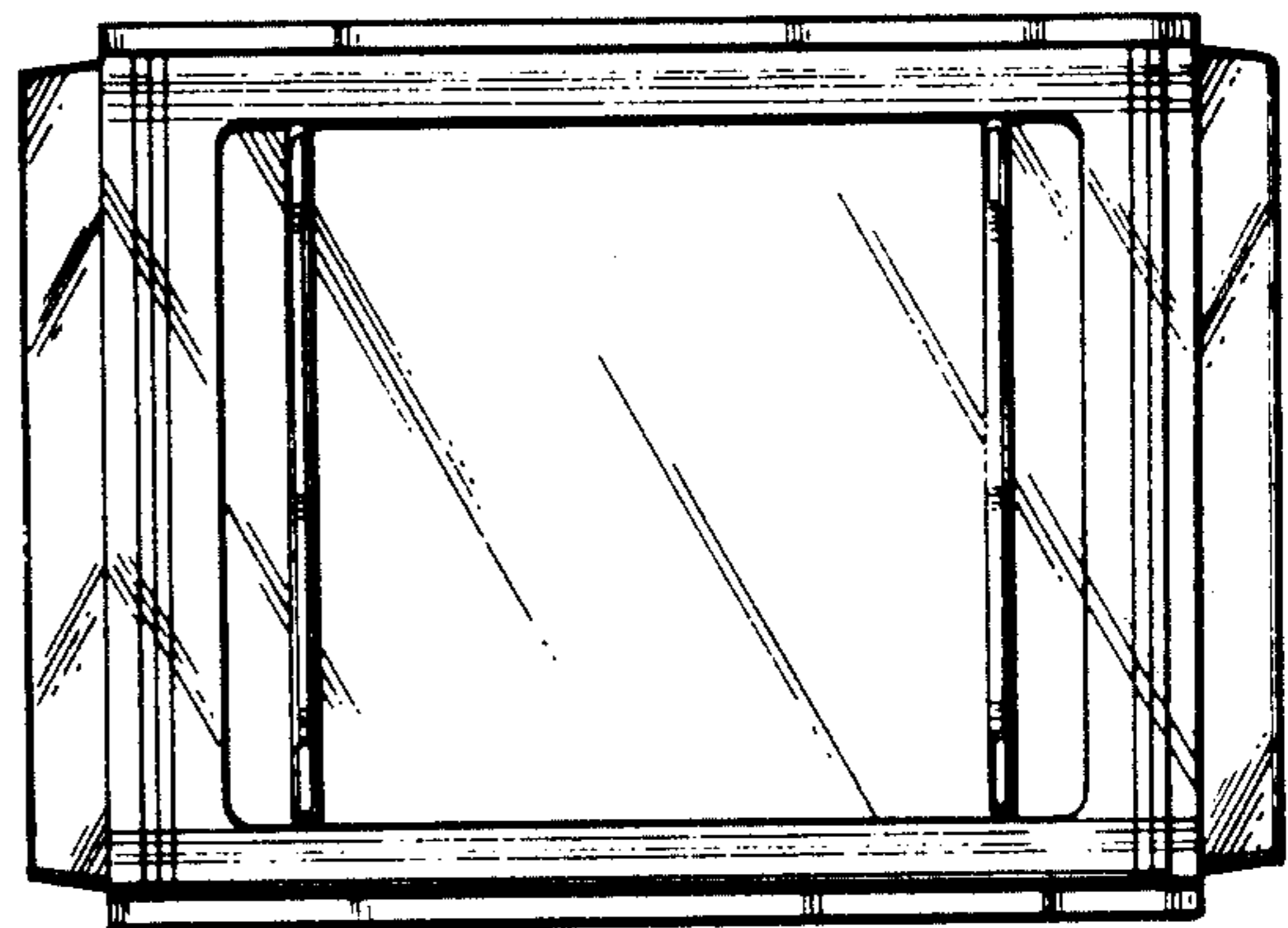


FIG. 4

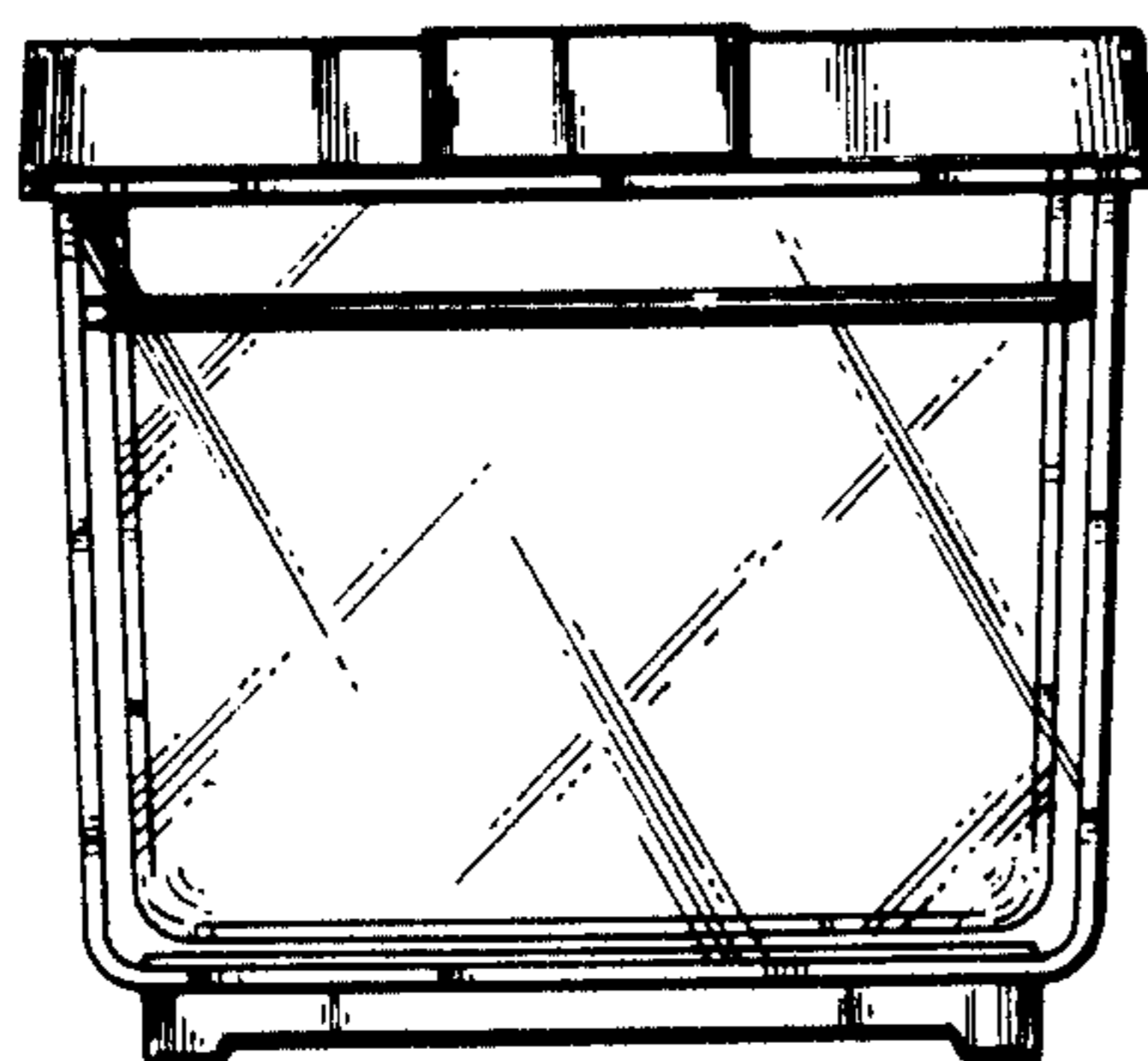


FIG. 5

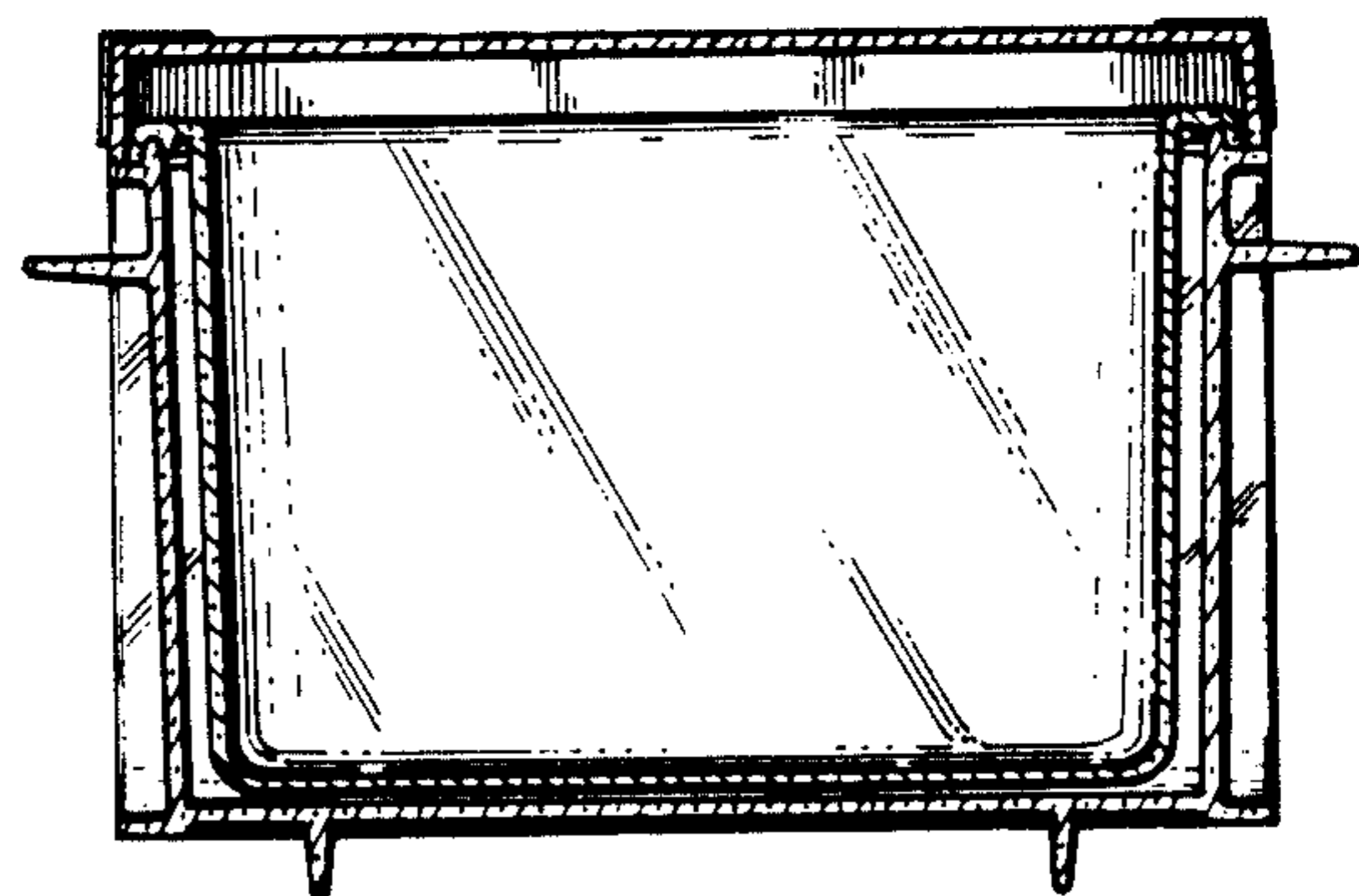


FIG. 6